

Digital Green-Mode Synchronous Rectifier

1 Description

The iW873 is a high performance synchronous rectifier controller with integrated MOSFET and driver for flyback converters operating at discontinuous conduction mode. It emulates the diode rectifier at the secondary side of the flyback to reduce conduction loss. The iW873 determines the timing of the driver by sensing the voltage across the $R_{DS(ON)}$ of the built-in MOSFET to achieve lossless sensing. Proprietary digital adaptive turn-off control technology is used to minimize the turn-off deadtime of the synchronous rectifier so that the parallel Schottky diode required by conventional synchronous rectifiers can be eliminated. The integrated driver has strong driving capability for high efficiency. The operating power consumption of the controller excluding the driver is less than 4mW at no load to achieve the ultra-low no-load power consumption for 5V applications. The iW873 integrates a pulse linear regulator to maintain the operation of the synchronous rectifier at low system output voltage when the system is operating in constant current (CC) mode.

2 Features

- Integrated 60V power MOSFET
- Digital adaptive turn-off control minimizes dead-time and eliminates the parallel Schottky diode
- Integrated pulse linear regulator (PLR) allows SR operation at low system output voltage down to 2.4V in typical 5V, 2A USB charger applications with iW873-00
- Wide V_{IN} pin operating voltage up to 25V
- Intelligent low power management achieves ultra-low no-load operating current
- Lossless MOSFET V_{DS} sensing for SR timing control
- 8-pin SOIC package

3 Applications

- Compact AC/DC adapters/chargers for media tablets and smart phones

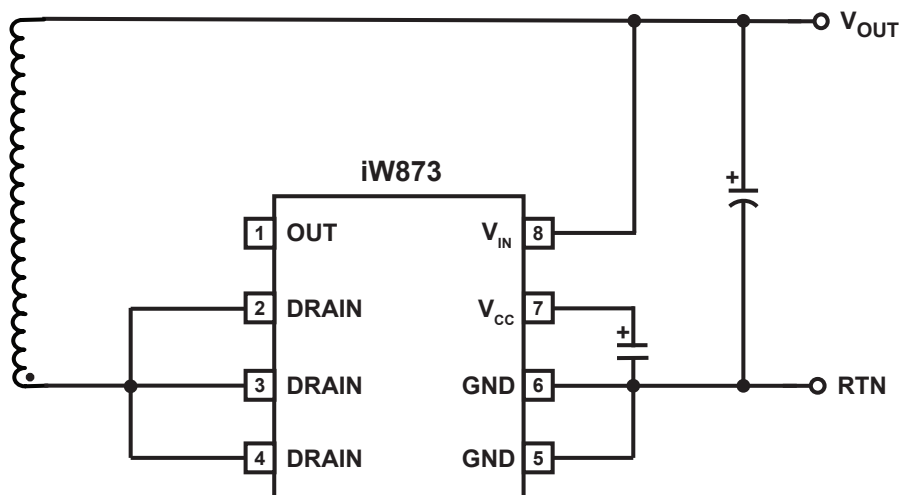


Figure 3.1 : iW873 Typical Application Circuit

Digital Green-Mode Synchronous Rectifier

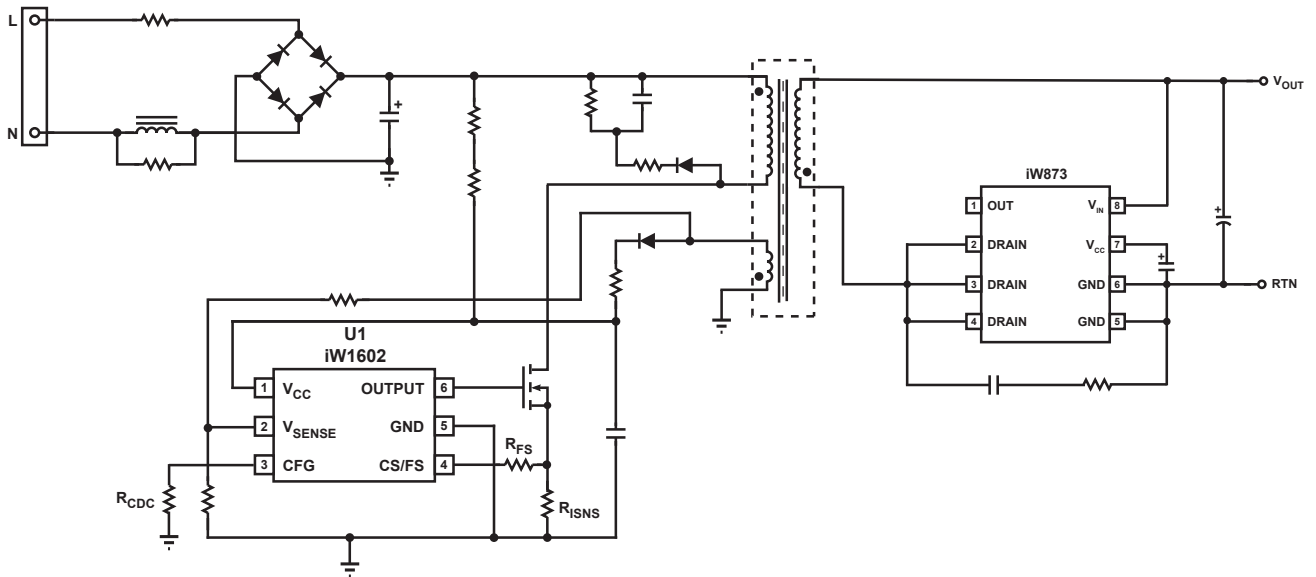


Figure 3.2 : iW873-00 Typical Application Circuit (Using iW1602 as Primary-Side Controller)
 (Achieving <75mW No-Load Power Consumption in 5V, 2A Adapter Designs with Fast Dynamic Load Response, and Supporting Constant Current Operation down to 2.4V System Output)

Digital Green-Mode Synchronous Rectifier

4 Pinout Description

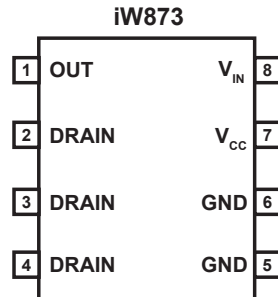


Figure 4.1 : 8-Lead SOIC Package

Pin No.	Pin Name	Type	Pin Description
1	OUT	Power Output	Synchronous rectifier MOSFET driver output and the gate of the integrated MOSFET. Leave this pin open if not used.
2	DRAIN	Power Input	Synchronous rectifier MOSFET Drain.
3	DRAIN	Power Input	Synchronous rectifier MOSFET Drain.
4	DRAIN	Power Input	Synchronous rectifier MOSFET Drain.
5	GND	Ground	Synchronous rectifier MOSFET source and controller ground.
6	GND	Ground	Synchronous rectifier MOSFET source and controller ground.
7	V _{CC}	Power Input	IC power supply and output of LDO and PLR output. Connect this pin to a capacitor.
8	V _{IN}	Analog Input	Input of the internal LDO and system output voltage sensing circuit. Connects to adapter/charger output for bias voltage. The internal LDO clamps the V _{CC} voltage at 5V. It is also the input for the comparator to enable PLR and the comparator to enable SR operation.

Digital Green-Mode Synchronous Rectifier

5 Absolute Maximum Ratings

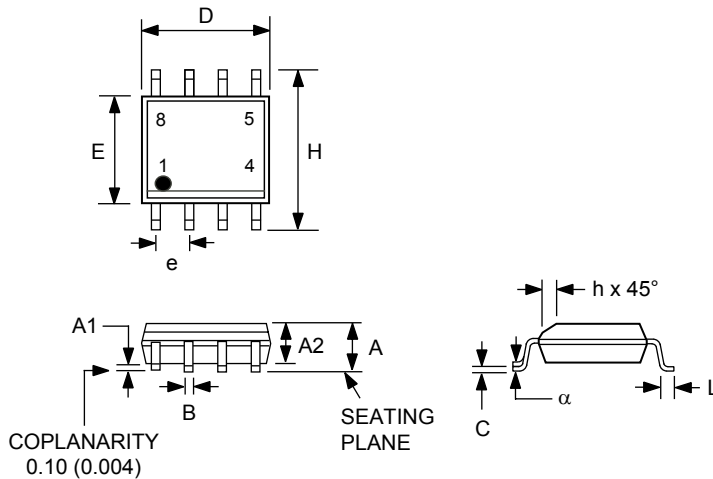
Absolute maximum ratings are the parameter values or ranges which can cause permanent damage if exceeded.

Parameter	Symbol	Value	Units
V_{IN} DC supply voltage range (pin 8, $I_{CC} = 15\text{mA}$ max)	V_{IN}	-0.3 to 33	V
Continuous DC supply current at V_{IN} pin ($V_{IN} = 30\text{V}$)	I_{VO}	15	mA
Continuous DC supply current at V_{CC} pin ($V_{CC} = 5.5\text{V}$)	I_{VCC}	15	mA
DRAIN pin voltage	V_D	-1.5 to 60	V
V_{CC} pin voltage	V_{CC}	-0.6 to 6	V
Junction temperature	T_J	-40 to 150	°C
Storage temperature		-65 to 150	°C
Thermal Resistance Junction-to-Ambient (SOIC-8 package)	θ_{JA_SO8}	TBD	°C/W
ESD rating per JEDEC JESD22-A114		2,000	V

Digital Green-Mode Synchronous Rectifier

6 Physical Dimensions

8-Lead Small Outline (SOIC) Package



Symbol	Inches		Millimeters	
	MIN	MAX	MIN	MAX
A	—	0.069	—	1.75
A1	0.0040	0.0098	0.10	0.25
A2	0.0520	0.0600	1.32	1.50
B	0.0123	0.0200	0.31	0.51
C	0.0075	0.0098	0.19	0.25
D	0.189	0.197	4.80	5.00
E	0.1495	0.1575	3.80	4.00
e	0.050 BSC		1.27 BSC	
H	0.2284	0.2440	5.80	6.20
h	0.0098 BSC		0.25 BSC	
L	0.0158	0.050	0.4	1.27
α	0°	8°	0°	8°

Compliant to JEDEC Standard MS12F

Controlling dimensions are in inches; millimeter dimensions are for reference only

This product is RoHS compliant and Halide free.

Soldering Temperature Resistance:

[a] Package is IPC/JEDEC Std 020D moisture sensitivity level 1

[b] Package exceeds JEDEC Std No. 22-A111 for solder immersion resistance; package can withstand 10 s immersion < 260°C

Dimension D does not include mold flash, protrusions or gate burrs. Mold flash, protrusions or gate burrs shall not exceed 0.15 mm per end. Dimension E1 does not include interlead flash or protrusion. Interlead flash or protrusion shall not exceed 0.25 mm per side.

The package top may be smaller than the package bottom. Dimensions D and E1 are determined at the outermost extremes of the plastic body exclusive of mold flash, tie bar burrs, gate burrs and interlead flash, but including any mismatch between the top and bottom of the plastic body.

7 Ordering Information

Part no.	Options	Package	Description
iW873-00	Support CC operation down to 2.4V	SOIC, 8 pin	Tape & Reel ¹

Note 1: Tape and reel packing quantity is 2,500/reel. Minimum ordering quantity is 2,500.

Digital Green-Mode Synchronous Rectifier

Disclaimer

Information in this document is believed to be accurate and reliable. However, Dialog Semiconductor does not give any representations or warranties, expressed or implied, as to the accuracy or completeness of such information. Dialog Semiconductor furthermore takes no responsibility whatsoever for the content in this document if provided by any information source outside of Dialog.

Dialog Semiconductor reserves the right to change without notice the information published in this document, including without limitation the specification and the design of the related semiconductor products, software and applications.

Applications, software, and semiconductor products described in this document are for illustrative purposes only. Dialog makes no representation or warranty that such applications, software and semiconductor products will be suitable for the specified use without further testing or modification. Unless otherwise agreed in writing, such testing or modification is the sole responsibility of the customer and Dialog excludes all liability in this respect.

Customer notes that nothing in this document may be construed as a license for customer to use the Dialog products, software and applications referred to in this document. Such license must be separately sought by customer with Dialog Semiconductor.

All use of Dialog Semiconductor products, software and applications referred to in this document are subject to [Dialog Semiconductor's Standard Terms and Conditions of Sale](#), available on the company website (www.dialog-semiconductor.com) unless otherwise stated.

Dialog and the Dialog logo are trademarks of Dialog Semiconductor plc or its subsidiaries. All other product or service names are the property of their respective owners.

© Copyright 2016 Dialog Semiconductor. All rights reserved.

RoHS Compliance

Dialog Semiconductor complies to European Directive 2001/95/EC and from 2 January 2013 onwards to European Directive 2011/65/EU concerning Restriction of Hazardous Substances (RoHS/RoHS2).

Dialog Semiconductor's statement on RoHS can be found on the customer portal <https://support.diasemi.com/>. RoHS certificates from our suppliers are available on request.

Contacting Dialog Semiconductor

United Kingdom

Dialog Semiconductor (UK) Ltd
Phone: +44 1793 757700

Germany

Dialog Semiconductor GmbH
Phone: +49 7021 805-0

The Netherlands

Dialog Semiconductor B.V.
Phone: +31 73 640 88 22

Email

info_pcbg@diasemi.com

North America

Dialog Semiconductor Inc.
Phone: +1 408 845 8500

Japan

Dialog Semiconductor K. K.
Phone: +81 3 5425 4567

Taiwan

Dialog Semiconductor Taiwan
Phone: +886 281 786 222

Web site:

www.dialog-semiconductor.com

Singapore

Dialog Semiconductor Singapore
Phone: +65 648 499 29

Hong Kong

Dialog Semiconductor Hong Kong
Phone: +852 2607 4271

Korea

Dialog Semiconductor Korea
Phone: +82 2 3469 8200

China

Dialog Semiconductor (Shenzhen)
Phone: +86 755 2981 3669

Dialog Semiconductor (Shanghai)

Phone: +86 21 5424 9058