

DA1458x Reference Design

Design Name	DA1458xDEVKT-B-VA (QFN40)
Ref. Number	321-4-B
Version	B00
Date	May, 02, 2017
Designer	PR KR

Version	Date	Comments
A00	19 /Oct / 2016	Initial Schematic
A01	02 /Jan / 2017	1. R17, R18, R19: changed from 4.7k to 6.8k 2. U6 inverter NC7SZ04P5X changed to populated
A02	02 /May / 2017	3.Xtall Y2 changed to TXC 9HT11-32.768KDZB-T (6pF)
B00	08 /May / 2018	4. Critical change on the footprint of U4

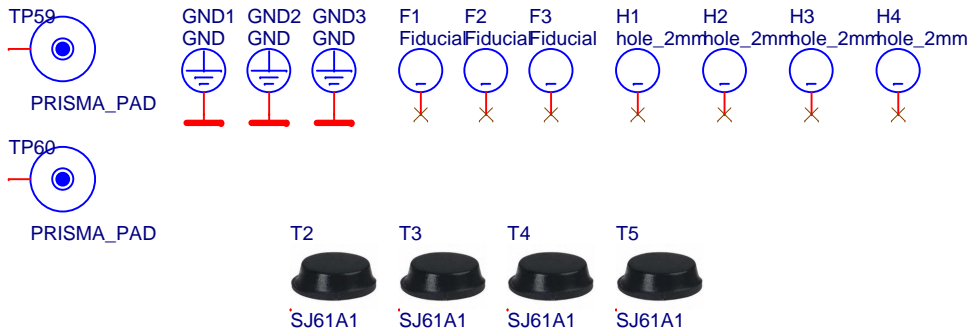
Configuration note

NOTE box

Changes in this Version.

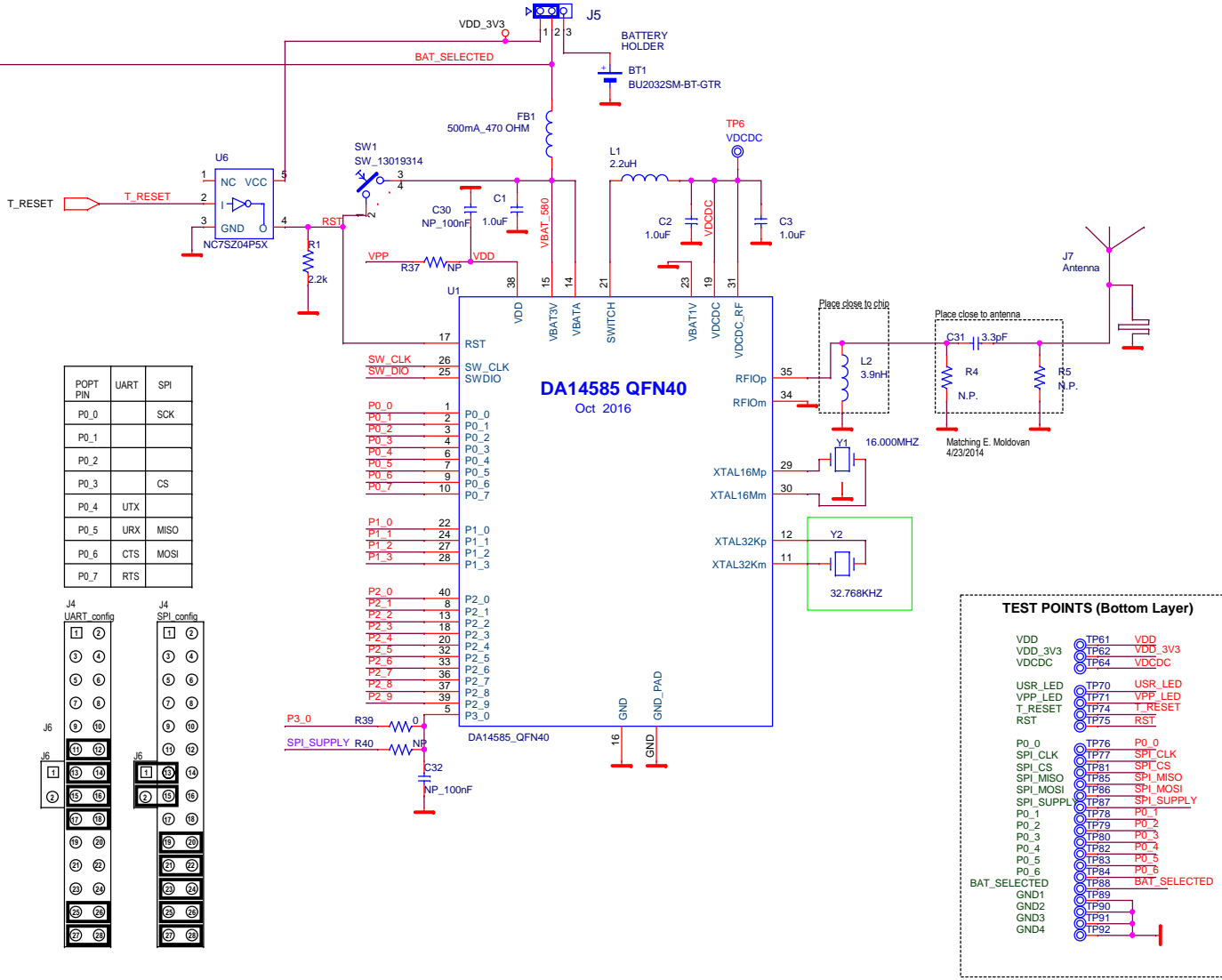
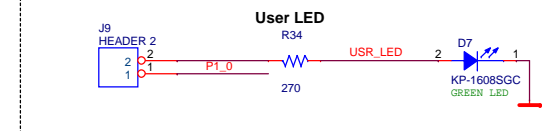
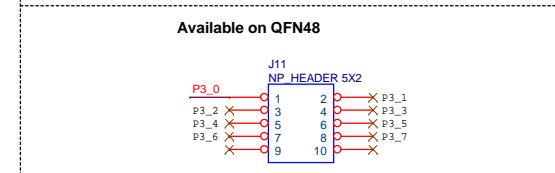
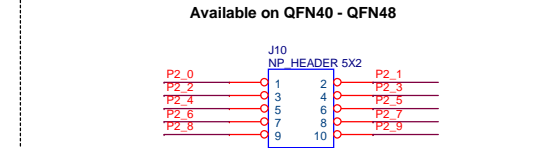
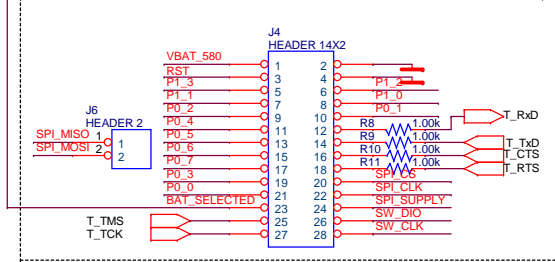
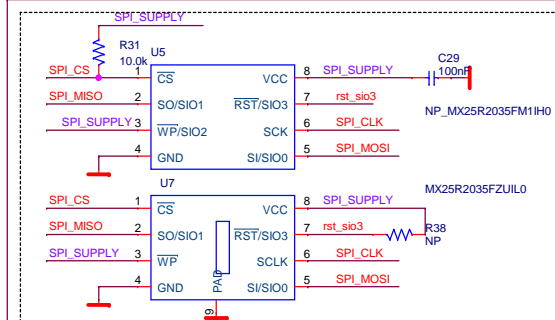


Label_Dialog_L6008

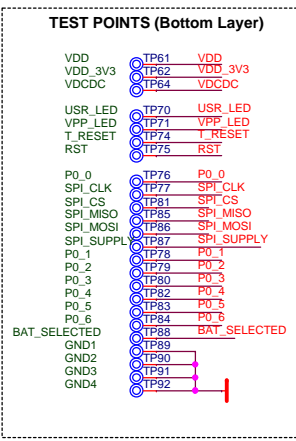
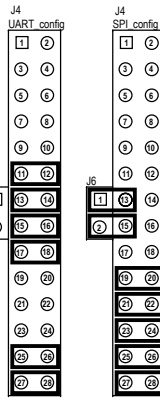


Dialog Semiconductor
N.E.O. Athinon- Patron 15
26441, Patra, Greece
tel. (+30) 2610390940
fax. (+30) 2610390941

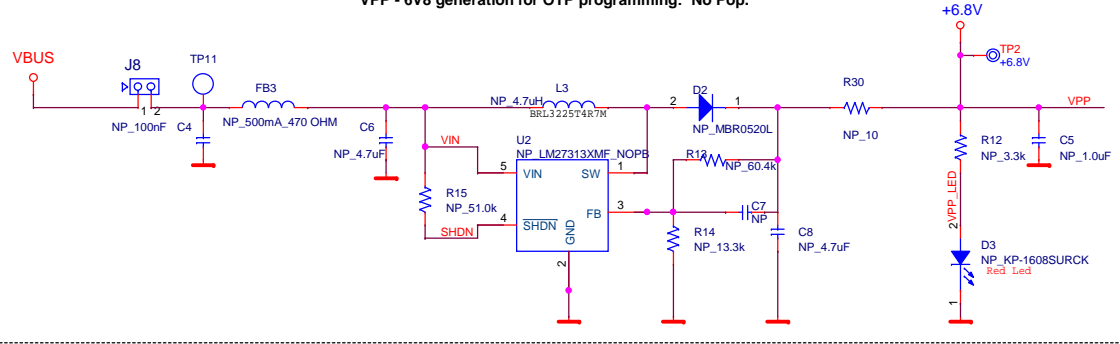
Title : DA1458xDEVKT-B		
Doc. Nr.	Designer: PR	Rev: B
Date: Wednesday, May 09, 2018	Sheet: 0	of 2



POPT PIN	UART	SPI
P0_0		SCK
P0_1		
P0_2		
P0_3		CS
P0_4	UTX	
P0_5	URX	MISO
P0_6	CTS	MOSI
P0_7	RTS	

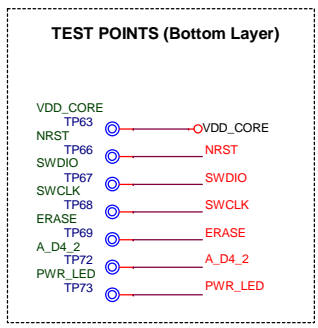
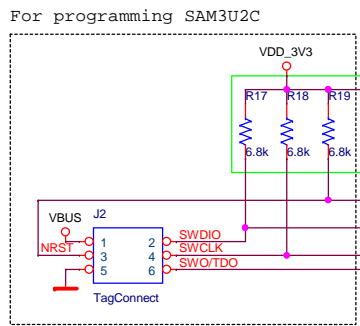
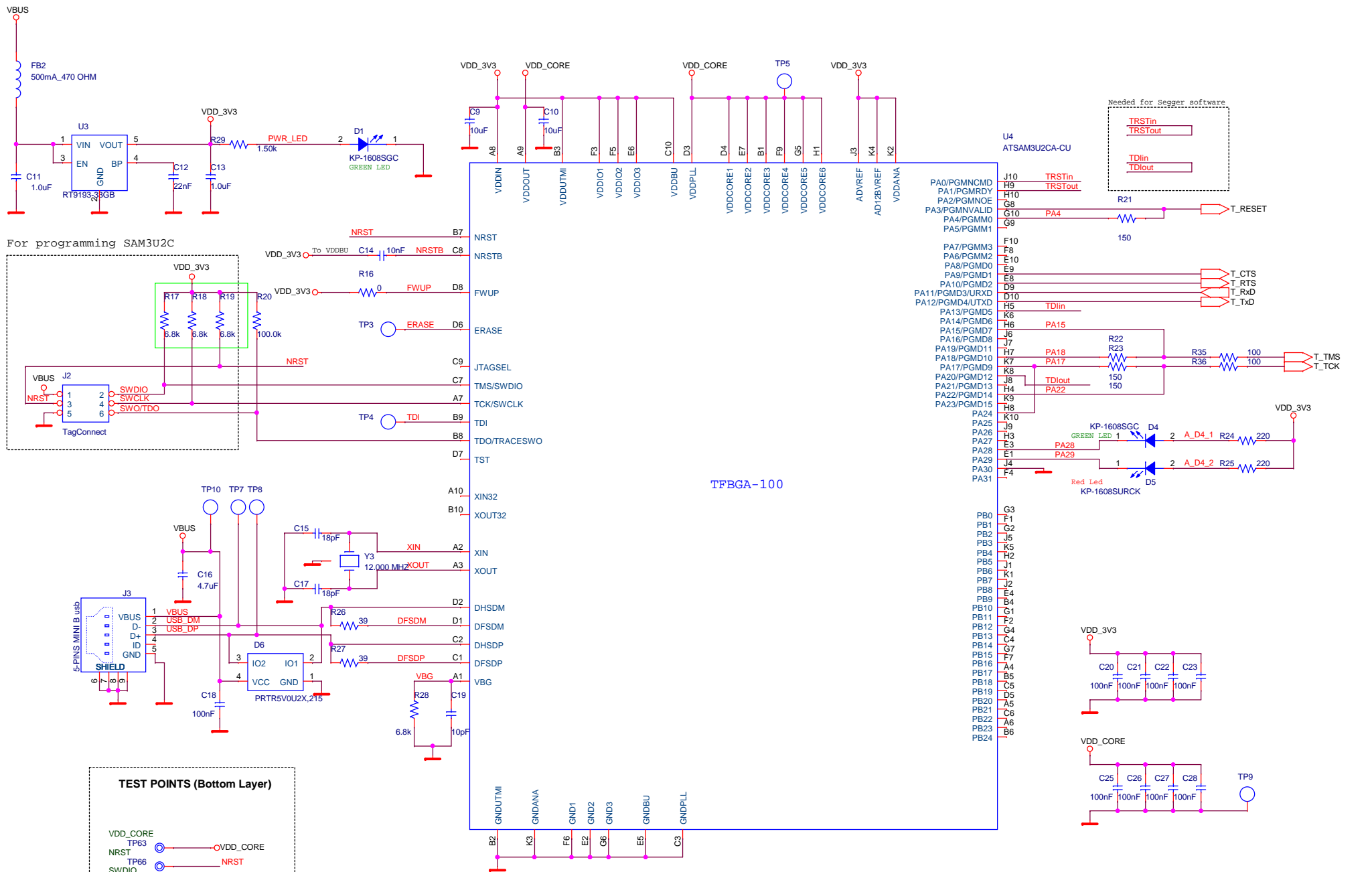


VPP - 6V8 generation for OTP programming: No Pop.



Configuration					
Description	to VPP	Decoupl. to VDD	to P3_0	VBAT3V	Decoupl.
580	R37	C30	R39	R40	C32
581	0ohm	NP	NP	NP	NP
583	0ohm	NP	NP	0ohm	100nF
584	0ohm	NP	NP	0ohm	100nF
585 (default)	NP	NP	0ohm	NP	NP
586	NP	NP	NP	0ohm	100nF






 Dialog Semiconductor
 N. E. O. Athinon - Patron 15
 26441, Patra, Greece
 tel. (+30) 2610390940
 fax. (+30) 2610390941

Title: DA1458xDEVKT-8			
Doc. Nr.	Designer: PR	Rev: A	
Date: Tuesday, May 08, 2018	Sheet: 2	of 2	