

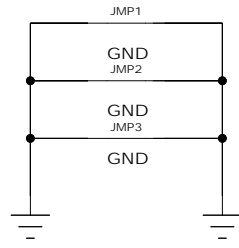
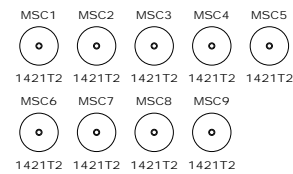
REVISION TABLE

REV.	DATE	ENGINEER	NOTES
A00	25/10/2016	GF/GC	Initial version based on 329-01-A EVB Solder.
A01	09/01/2017	GF	Added a clarifying note on page 1, explaining that C1M/C2M are used interchangeably with C1N/C2N.

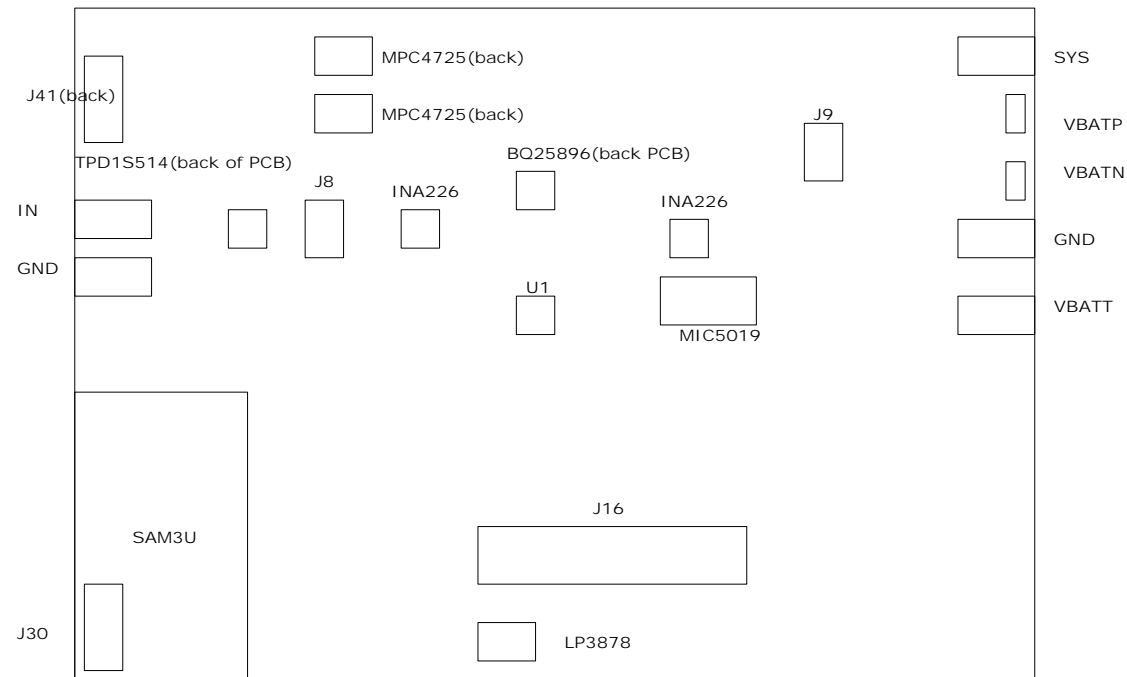
MECHANICAL PARTS

NOTE: C1M = C1N
C2M = C2N

MECHANICAL



LAYOUT NOTE: SPREAD GND LOOPS EVENLY AROUND THE BOARD.



SCHEMATIC TEMPLATE REV. xDxD_V3 (23-10-2015)

DESIGNED BY:
Greg Fattig

REVIEWED BY:
GF, ES

CONFIDENTIAL
INFORMATION

SIZE
A3L

SAVED DATE:
16/03/2017: 11:15

REVIEWED DATE:
12/20/2016

TITLE:
DA9318 System Reference Board

DRAWING NO:
329-03-A

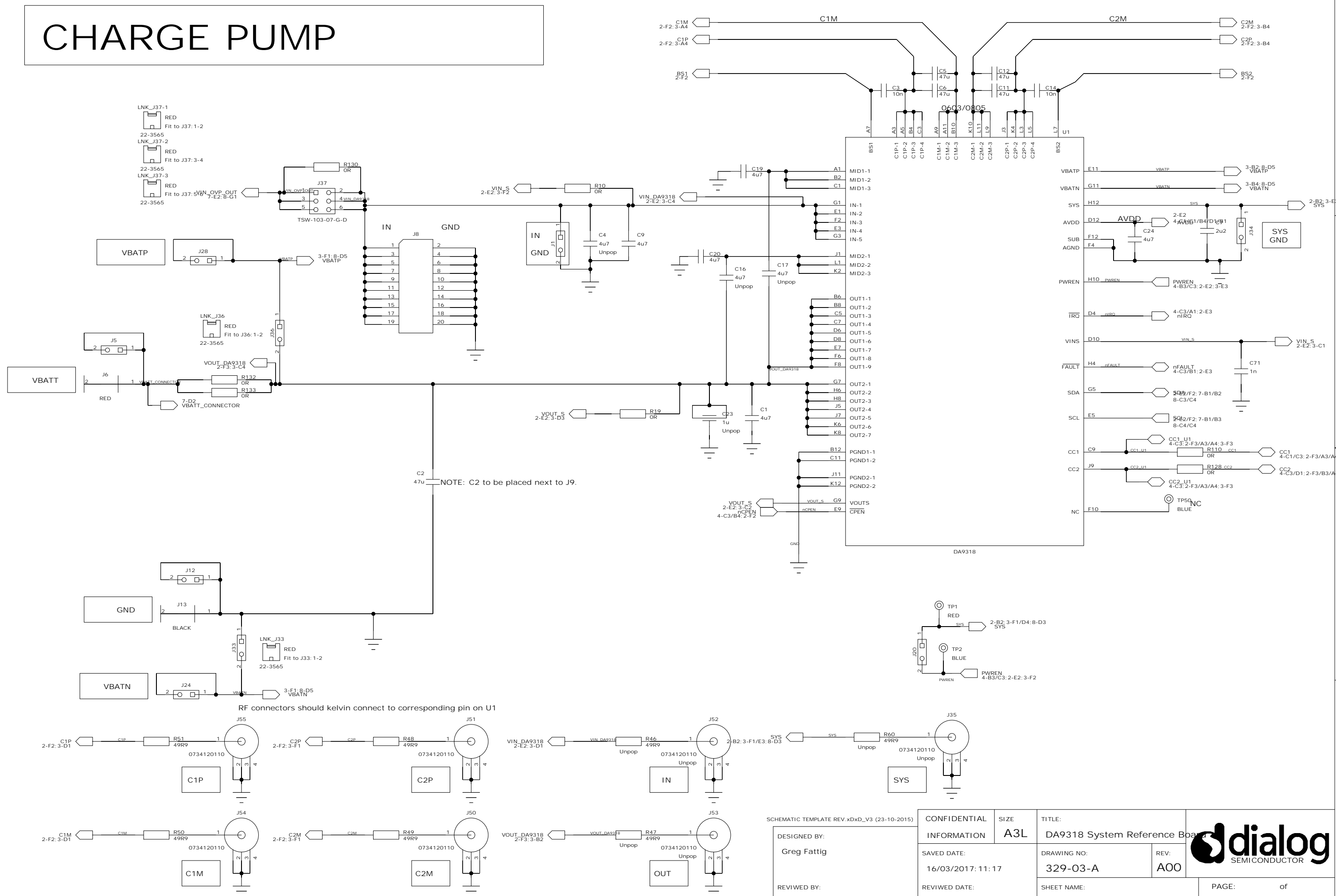
REV:
A00

SHEET NAME:
REVISION

dialog
SEMICONDUCTOR

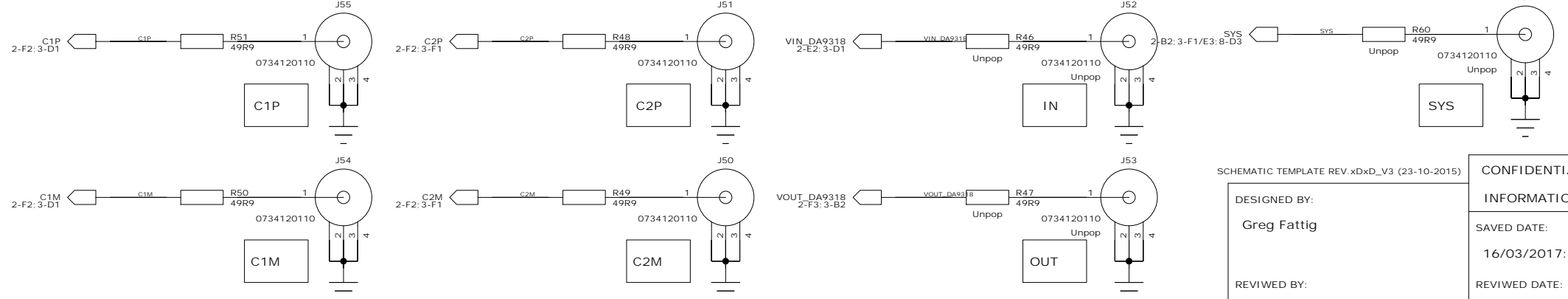
PAGE: 1 of 8

CHARGE PUMP



NOTE: C2 to be placed next to J9.

RF connectors should kelvin connect to corresponding pin on U1



SCHEMATIC TEMPLATE REV. xDxD_V3 (23-10-2015)

DESIGNED BY:
Greg Fattig

REVIWED BY:
GF, ES

CONFIDENTIAL INFORMATION	SIZE A3L	TITLE: DA9318 System Reference Board	
SAVED DATE: 16/03/2017: 11:17	DRAWING NO: 329-03-A	REV: A00	
REVIWED DATE: 12/20/2016	SHEET NAME: CP	PAGE: 3 of 8	

A

B

C

D

E

F

1

1

2

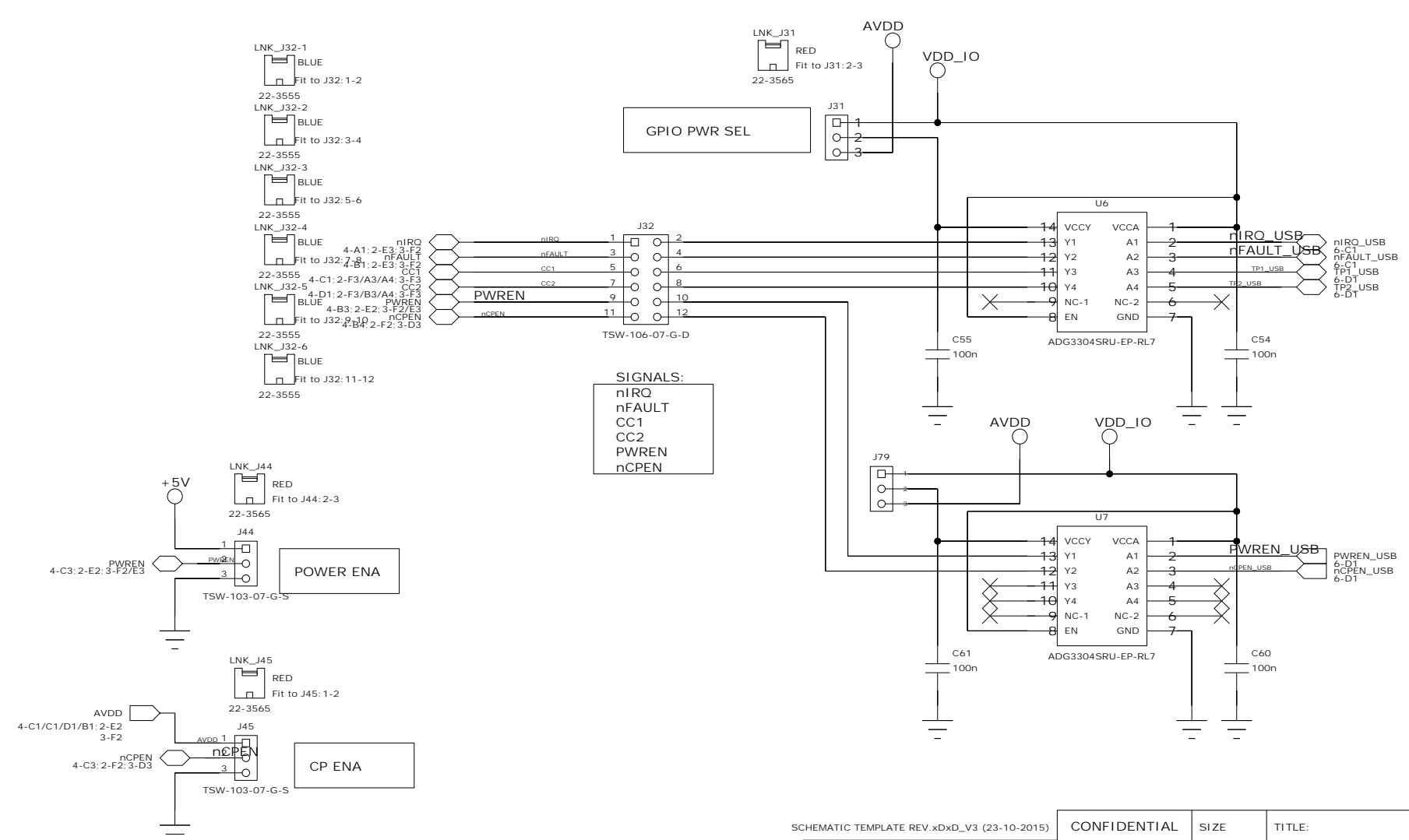
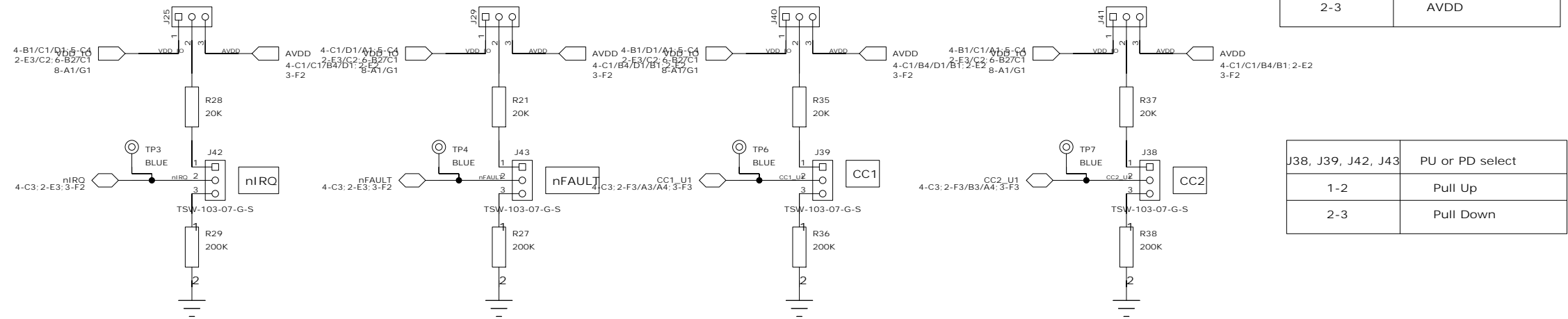
2

3

3

4

4



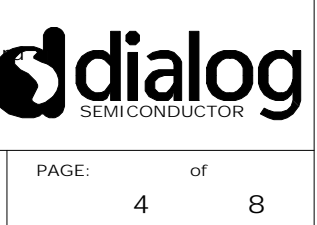
GPIOs

SCHEMATIC TEMPLATE REV. xDxD_V3 (23-10-2015)

DESIGNED BY:
Greg Fattig

REVIWED BY:
GF, ES

CONFIDENTIAL INFORMATION	SIZE A3L	TITLE: DA9318 System Reference Board
SAVED DATE: 16/03/2017: 11:15	DRAWING NO: 329-03-A	REV: A00
REVIWED DATE: 12/20/2016	SHEET NAME: GPIOs	PAGE: 4 of 8



A

B

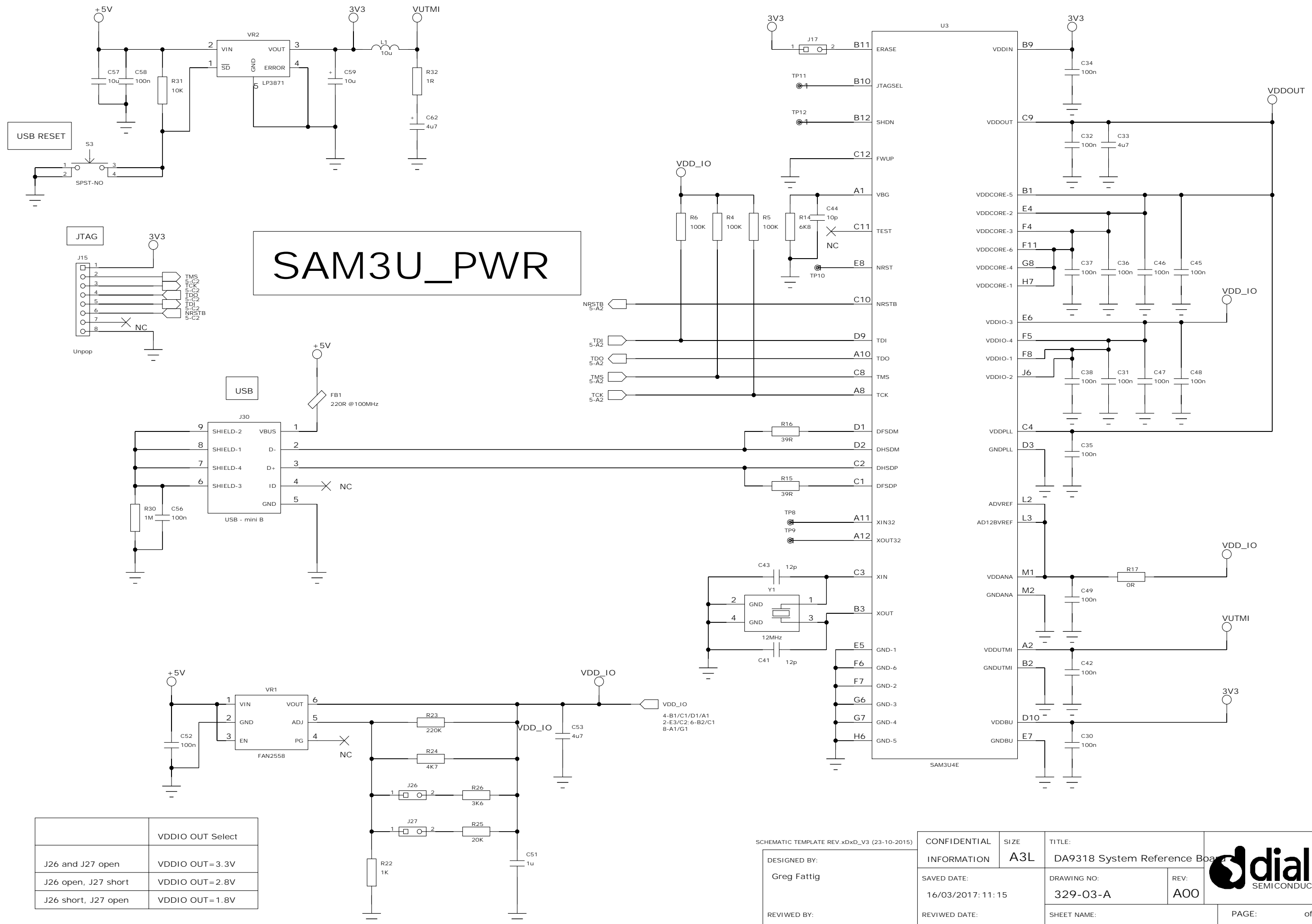
C

D

E

F

SAM3U_PWR



	VDDIO OUT Select
J26 and J27 open	VDDIO OUT=3.3V
J26 open, J27 short	VDDIO OUT=2.8V
J26 short, J27 open	VDDIO OUT=1.8V

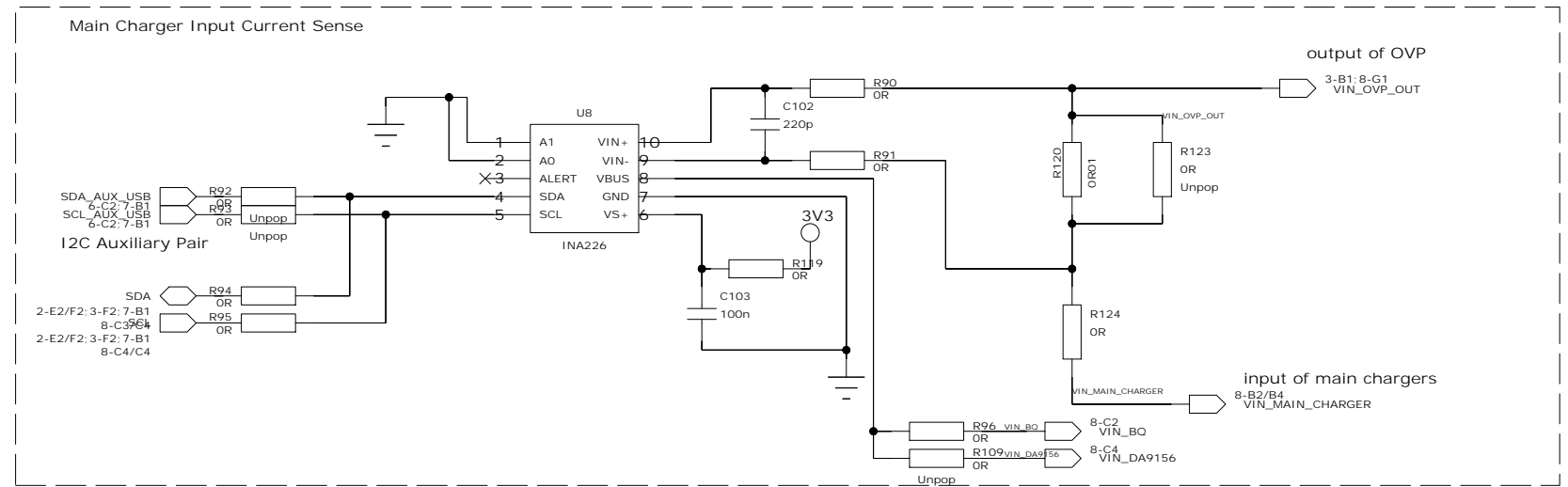
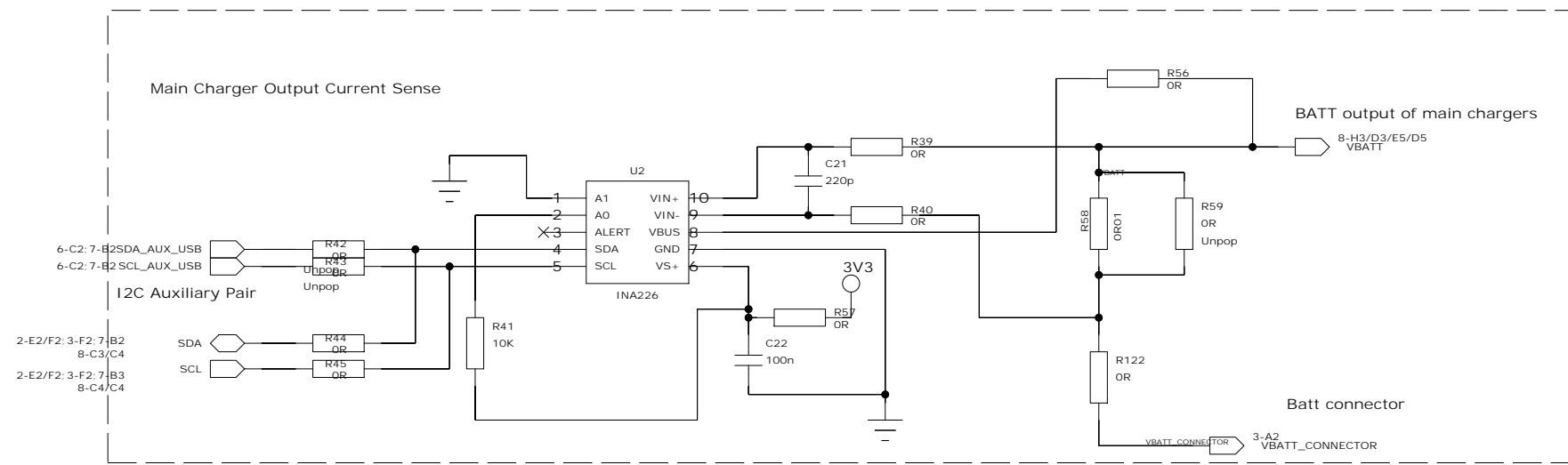
SCHEMATIC TEMPLATE REV. xDxD_V3 (23-10-2015)

DESIGNED BY:
Greg Fattig

REVIEWED BY:
GF, ES

CONFIDENTIAL INFORMATION	SIZE A3L	TITLE: DA9318 System Reference Board
SAVED DATE: 16/03/2017: 11:15	DRAWING NO: 329-03-A	REV: A00
REVIEWED DATE: 12/20/2016	SHEET NAME: USB_IF	PAGE: 5 of 8





DA9318 has integrated current and voltage reporting

SCHEMATIC TEMPLATE REV. xDxD_V3 (23-10-2015)

DESIGNED BY: Greg Fattig REVIEWED BY: GF, ES	CONFIDENTIAL INFORMATION	SIZE A3L	TITLE: DA9318 System Reference Board	
	SAVED DATE: 16/03/2017: 11:24	DRAWING NO: 329-03-A	REV: A00	
	REVIEWED DATE: 12/20/2016	SHEET NAME: ISENSE	PAGE: 7 of 8	

MASTER CHARGER

