

DA9062

Entry-level Power Management IC (PMIC) for applications providing up to 8.5 A continuous current

DA9062 is a PMIC optimized for supplying systems with single- and dual-core processors, I/O, DDR memory, and peripherals. The target application range covers mobile devices, medical equipment, entry-level IVI systems, and FPGA based applications.

DA9062 features four buck converters providing a total current of 8.5 A. High efficiency is achieved over a wide load range by automatically selecting Pulse Frequency Modulation (PFM) or Pulse Width Modulation (PWM) modes. All power switches are integrated, removing the need for external Schottky diodes. A high switching frequency allows low-profile inductors to be used. Buck1 and Buck2 can be used in a 5 A dual-phase configuration and Buck4 can be used as a DDR VTT supply. Four LDO regulators with programmable output voltage are integrated and provide up to 300 mA each.

Controlled by a programmable digital power manager, the eight user-programmable switched/linear regulators may be configured to meet the start-up sequence, voltage, and timing requirements for most applications. The power manager includes supply-rail qualification and system reset management. Dynamic Voltage Scaling (DVS) is available to achieve optimal processor energy-per-task performance. Dialog's patented SmartMirror™ dynamic biasing is implemented on all linear regulators.

Power mode transitions can be triggered with software control, GPIOs, or with button control. Several types of button press can be used to trigger different power mode transitions. DVS can be realised via the I²C interface or GPIO control.

The low-power Real Time Clock (RTC) with an external crystal oscillator provides time-keeping, alarm and wake-up functions. In addition, a watchdog timer is included for system monitoring purposes.

Five GPIOs can be used to implement system functions such as: application wakeup; 32 kHz oscillator with an external crystal; hardware regulator control; and sequencing control of external regulators, power switches, or other ICs.

DA9062 is also available as an automotive AEC-Q100 Grade 3 version.



*Available in QFN40, 6 mm x 6 mm,
0.5 mm pitch package consumer
and automotive grades*

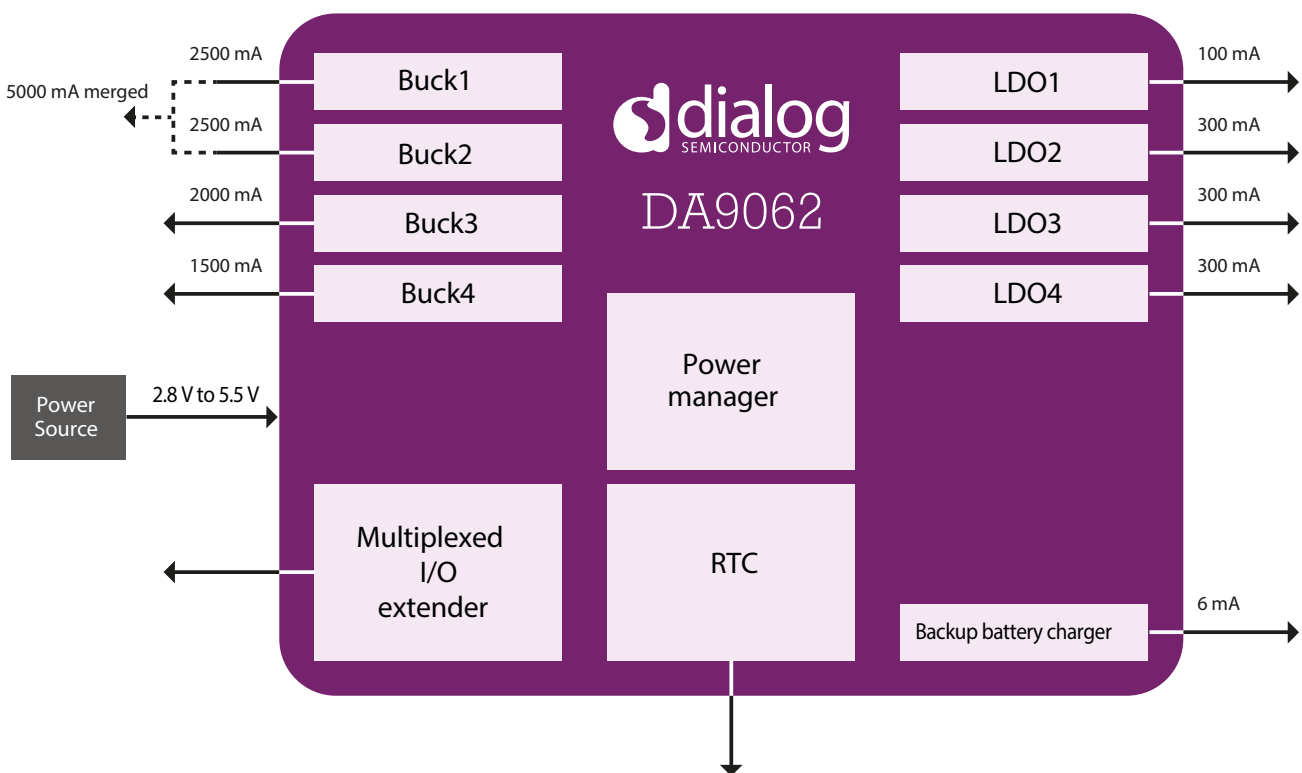
Features

- ▶ Input voltage 2.8 V to 5.5 V
- ▶ Four buck converters, 0.3 V to 3.34 V up to 2.5 A
 - Dual-phase mode up to 5 A
 - DDR VTT supply mode
 - DVS support
- ▶ 3 MHz switching frequency allows use of low-profile inductors
- ▶ Four LDO regulators, 0.9 V to 3.6 V up to 300 mA
- ▶ Five GPIOs
- ▶ Programmable power manager
- ▶ System supply monitoring
- ▶ Junction temperature monitoring
- ▶ Watchdog timer
- ▶ Coin cell/super-capacitor charger
- ▶ 1.5 μ A RTC with alarm and wakeup
- ▶ -40 °C to +125 °C junction temperature operation
- ▶ Automotive AEC-Q100 Grade 3 version

Typical applications

- ▶ Portable industrial and medical devices
- ▶ TV dongle
- ▶ eReaders
- ▶ Supply for single- and dual-core application processors; for example the i.MX™ families
- ▶ Power supply for FPGAs
- ▶ Automotive infotainment/dashboard
- ▶ IoT devices

Block diagram



Generated supply domains

Regulator	Supplied voltage	Supplied max. current	External component	Notes
Buck1	0.3 V to 1.57 V	2.5 A	1.0 μ H / 2 x 47 μ F	3 MHz, DVS with variable slew rate, 10 mV steps
Buck2	0.3 V to 1.57 V	2.5 A	1.0 μ H / 2 x 47 μ F	3 MHz, DVS with variable slew rate, 10 mV steps, can be combined with Buck1 as a 5 A dual-phase buck
Buck3	0.8 V to 3.34 V	2.0 A	1.0 μ H / 2 x 22 μ F or 2 x 47 μ F	3 MHz, DVS with variable slew rate, 20 mV steps
Buck4	0.53 V to 1.8 V	1.5 A	1.0 μ H / 2 x 22 μ F or 2 x 47 μ F	3 MHz, DVS with variable slew rate, 10 mV steps, can be used as a DDR VTT supply
LDO1	0.9 V to 3.6 V	100 mA	1.0 μ F	Programmable in 50 mV steps, can be configured as an 'always-on' supply
LDO2	0.9 V to 3.6 V	300 mA	2.2 μ F	Programmable in 50 mV steps
LDO3	0.9 V to 3.6 V	300 mA	2.2 μ F	Programmable in 50 mV steps
LDO4	0.9 V to 3.6 V	300 mA	2.2 μ F	Programmable in 50 mV steps

Dialog Semiconductor Worldwide Sales Offices - www.dialog-semiconductor.com

email: info@diasemi.com

United Kingdom
Phone: +44 1793 757700

The Netherlands
Phone: +31 73 640 88 22

Japan
Phone: +81 3 5425 4567

Singapore
Phone: +65 648 499 29

Korea
Phone: +82 2 3469 8200

Germany
Phone: +49 7021 805-0

North America
Phone: +1 408 845 8500

Taiwan
Phone: +886 281 786 222

Hong Kong
Phone: +852 3769 5200

China (Shenzhen)
Phone: +86 755 2981 3669
China (Shanghai)
Phone: +86 21 5424 9058

This publication provides outline information only, which unless agreed by Dialog Semiconductor may not be used, applied or reproduced for any purpose, or be regarded as a representation relating to products. Please refer to Dialog standard supply terms on the company website (www.dialog-semiconductor.com).

© Dialog Semiconductor 2015. All rights reserved. DA9062 PB 2v2