

DA1469x Reference Design

Design Name	2522-db-vfbga86
Ref. Number	331-19-D
Version	D
Date	11/Dec/2018
Designer	Panos Raftopoulos

History Table

Version	Date	Comments
A1.0	19/Mar/2018	Internal review release
A1.1	20/Mar/2018	Added pull-down resistor R24 to P1_1 Added options for DA14691/DA14695 - D9 single RED LED (D1 set as NP) - R25, R26 shorting LED pins to GND - R27, R28 shorting haptic driver pins to GND
A1.2	21/Mar/2018	Added RF filter option close to RFIOp (Z4,Z5,Z6) Changed L1 (DCDC inductor) to DFE201610E-R47M
	27/Mar/2018	Released for manufacturing
	10/Sep/2018	Added a current limiter mosfet on V30 (Q4) -> external loads now connect to the current-limited rail (V30x) Corrected the mismatch of the UART signals on J4 Added 0402 NP capacitor close to J3 pin-1 (C14)
B1.0	18/Sep/2018	Released for manufacturing
	04/Oct/2018	Changed R27, R28 to N.P. Changed C13 value to 2.2uF/25V Modified options for the QSPI flash package: - U2 --> 8SOIC 208mil - U2X --> 8USON 2x3mm - U2Y --> 8SOIC 150mil
C1.0	05/Oct/2018	Released to internal review
C1.1	15/Nov/2018	Changed ESD protection D7 D8 from ESD206B102ELSE6327XTSA1 (EOL) to ESD102U102ELSE6327XTSA1 (note: this part is polarized) Updated several parts as obsoleted/EOL and some with environmental compliance problems (K2, J3)
D1.0	11/Dec/2018	Added 0 ohm resistor (R29) shorting V18F to V18P Changed USB connector (J3) type to Molex 67503-1020 Changed default part# for 4.7uF capacitors to GRM155R61A475MEAAD

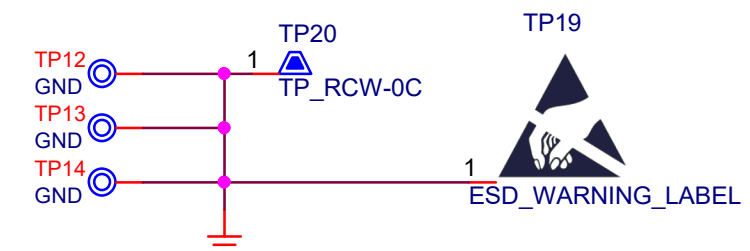
Configuration note

NOTE box

Changes in this Version.

TP10 FIDUCIAL

TP11 FIDUCIAL

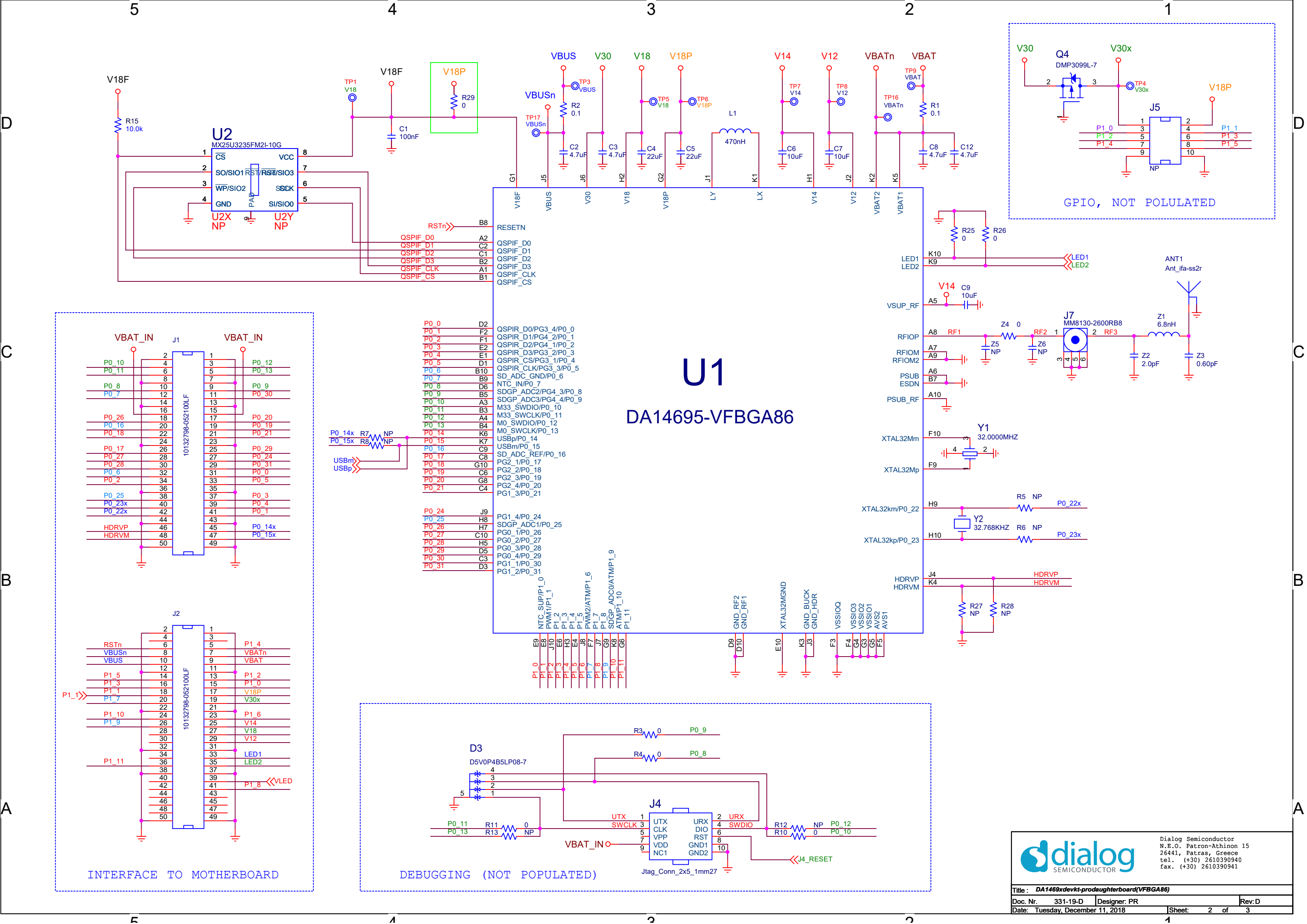


Dialog Semiconductor
N.E.O. Patron-Athinon 15
26441, Patras, Greece
tel. (+30) 2610390940
fax. (+30) 2610390941

Title : DA1469x devkt-pro daughterboard (VFBGA86)

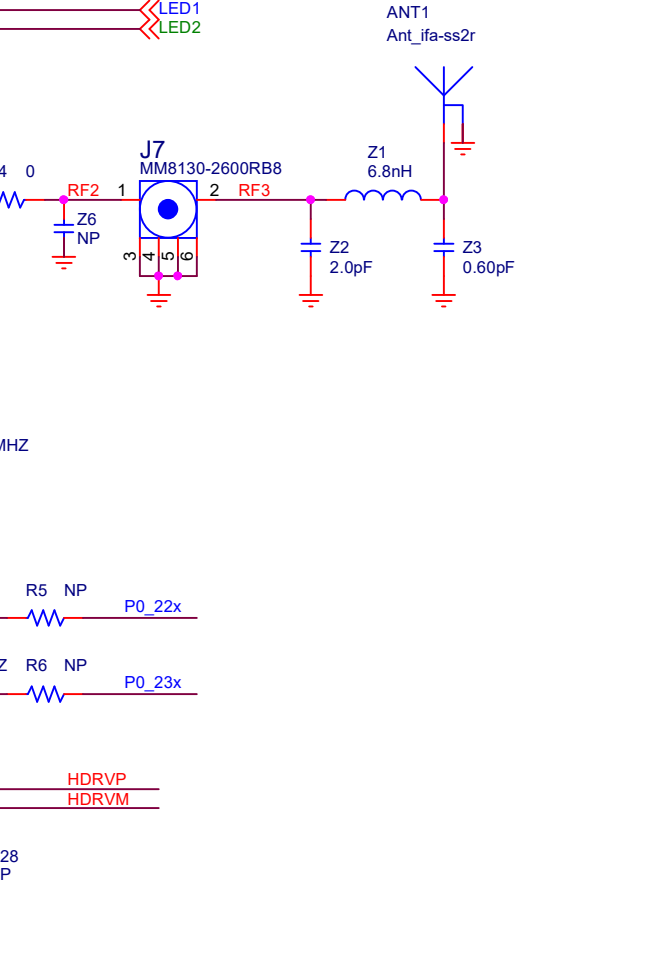
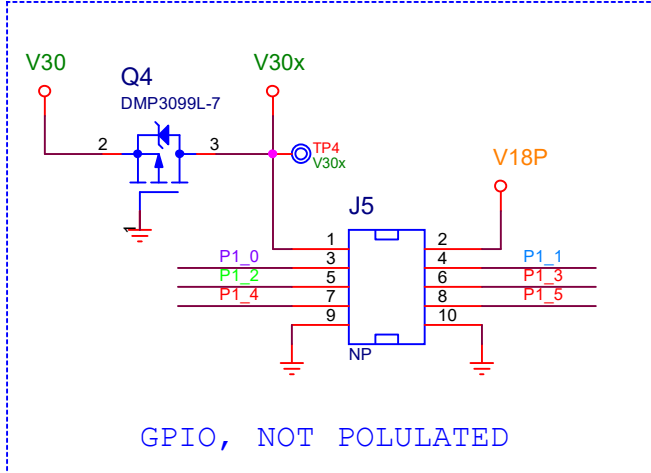
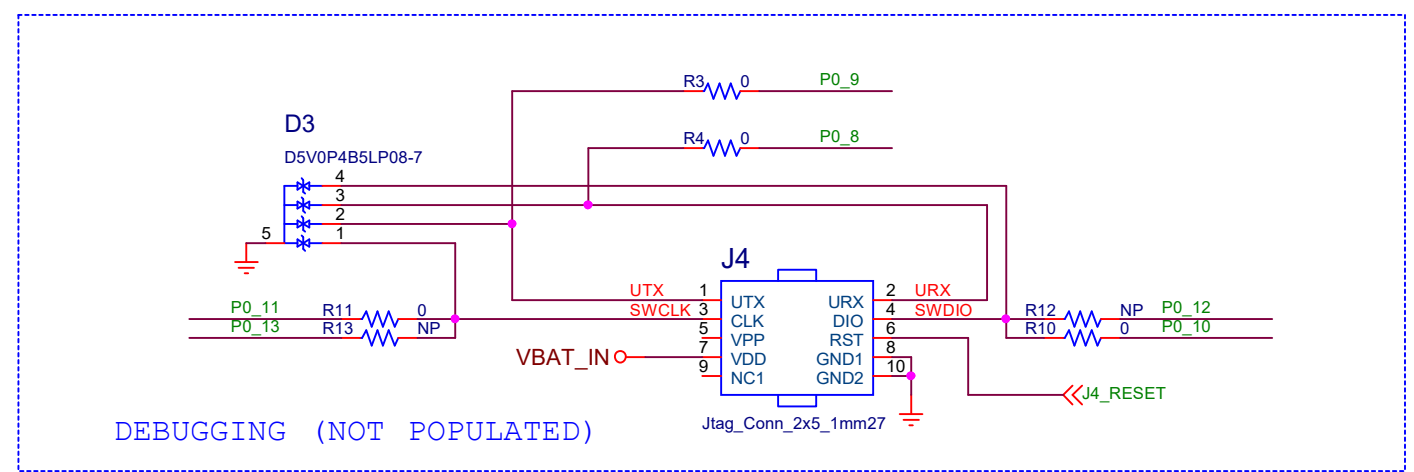
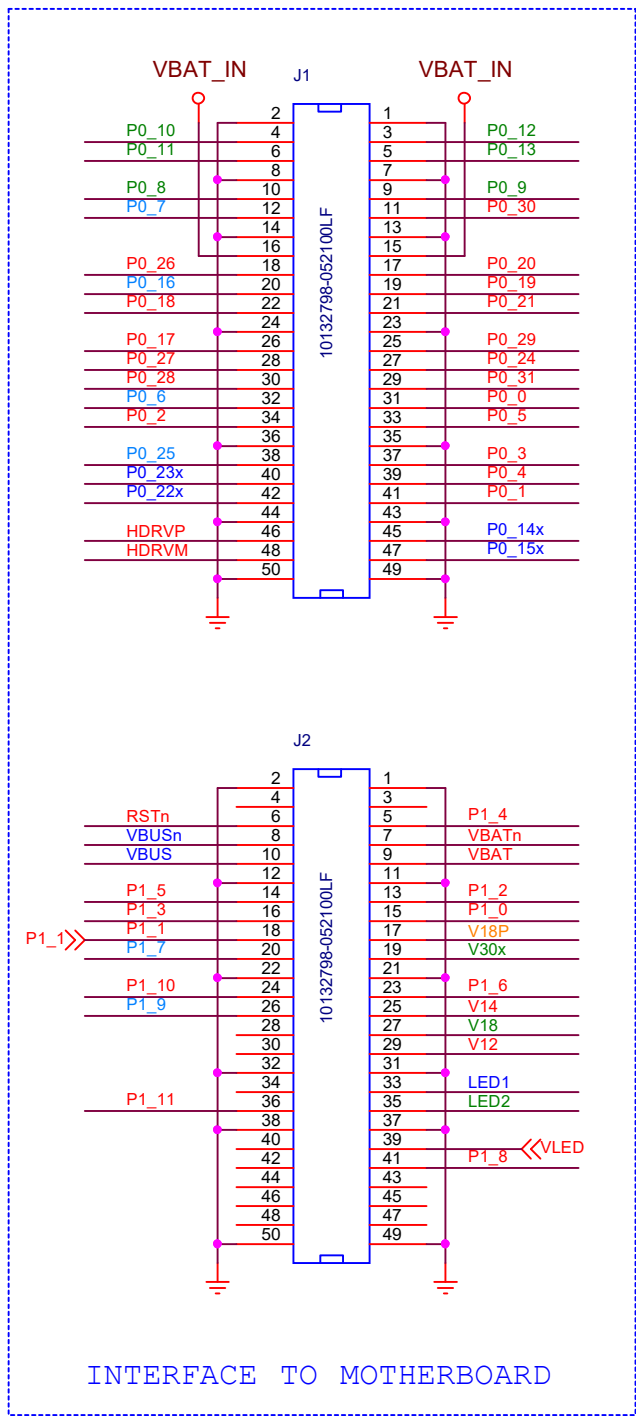
Doc. Nr. 331-19-D Designer: PR Rev:D

Date: Tuesday, December 11, 2018 Sheet: 1 of 3



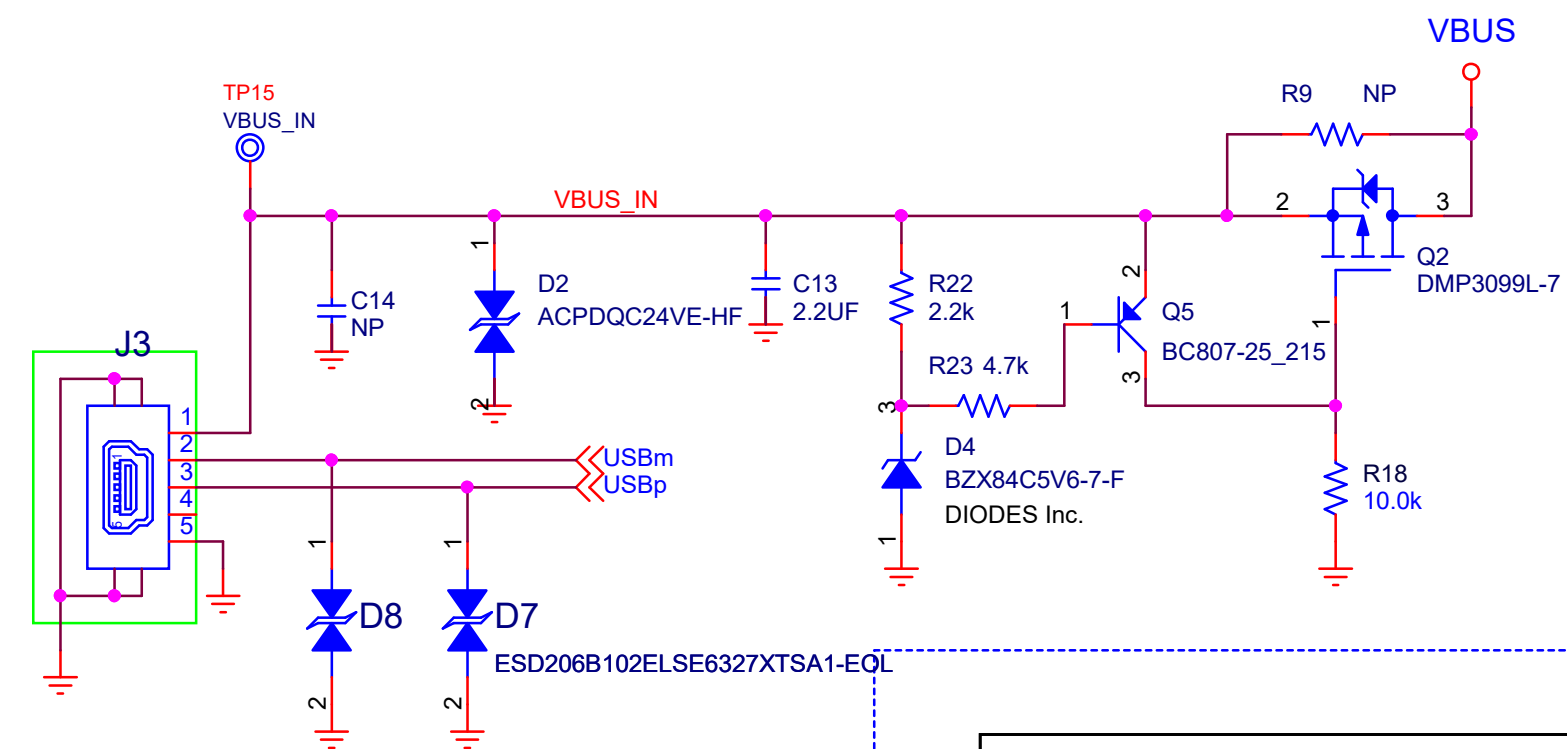
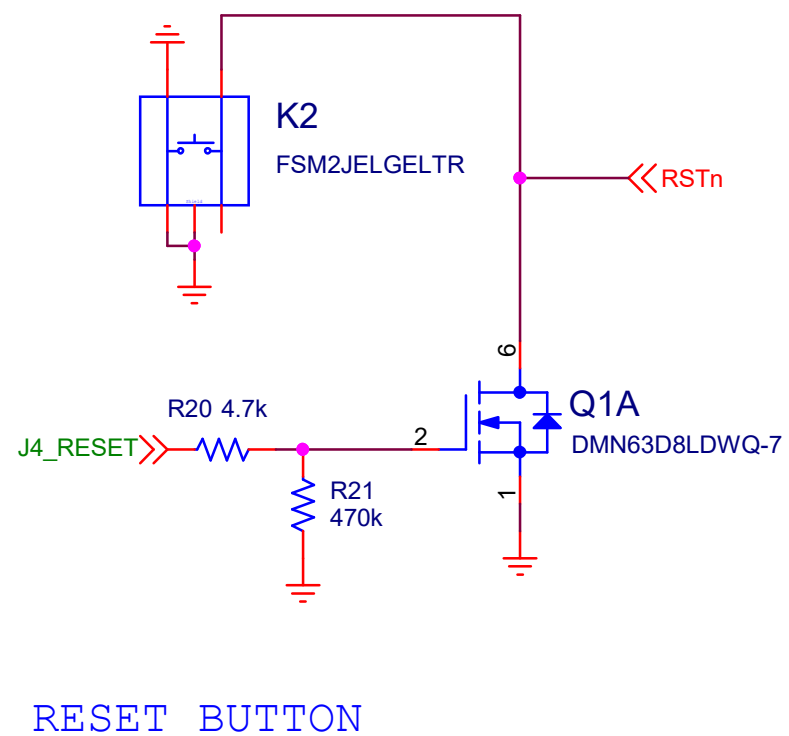
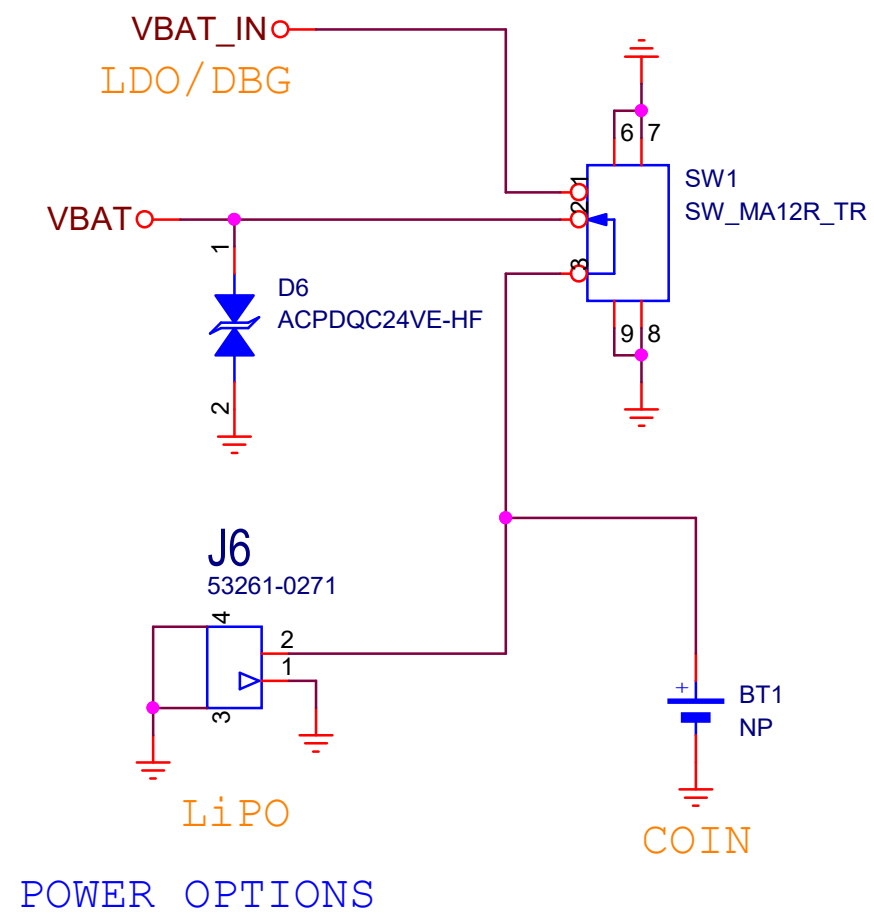
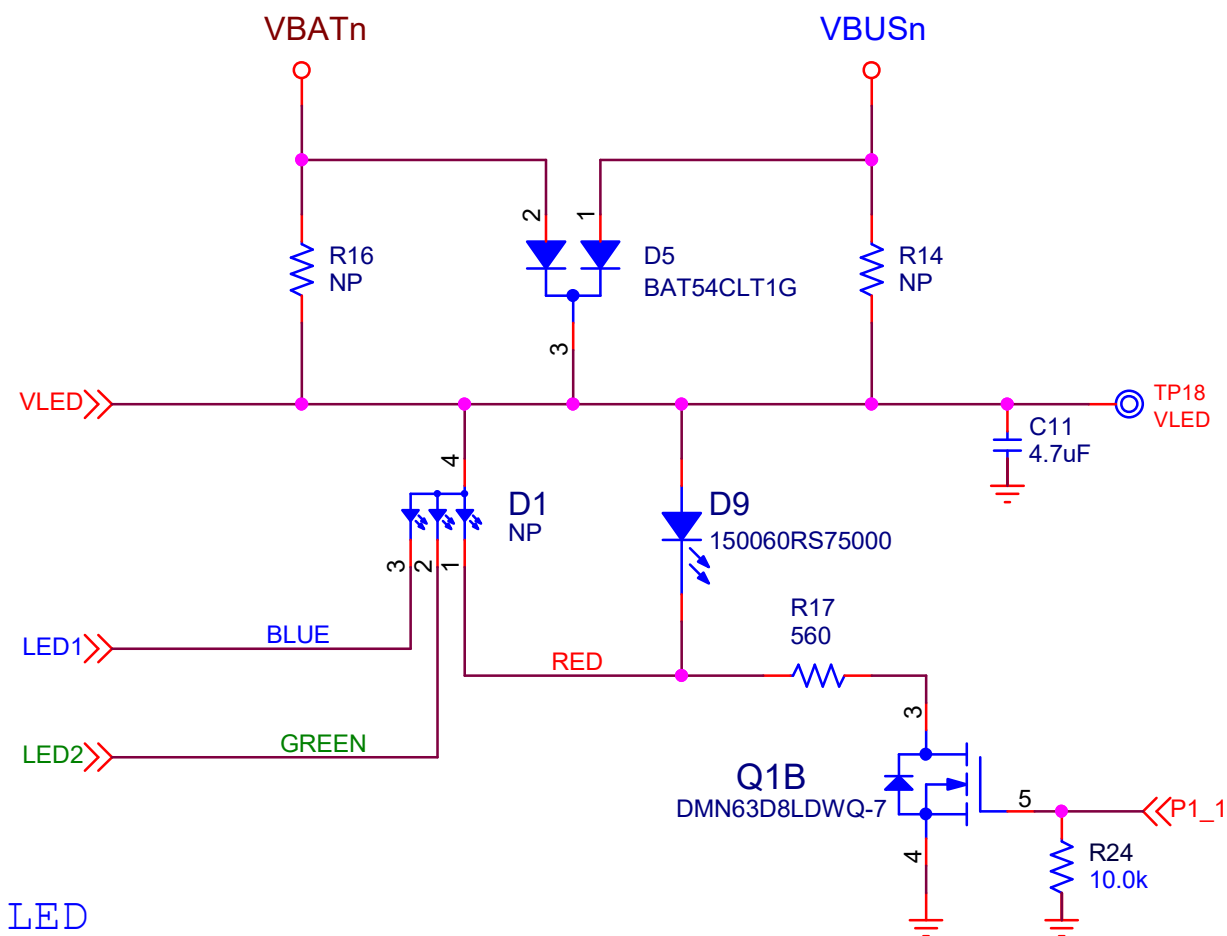
U1 DA14695-VFBGA86

P0_0	D2	QSPIR_D0/PG3_4/P0_0
P0_1	F2	QSPIR_D1/PG4_2/P0_1
P0_2	F1	QSPIR_D2/PG4_1/P0_2
P0_3	E2	QSPIR_D3/PG3_2/P0_3
P0_4	E1	QSPIR_CS/PG3_1/P0_4
P0_5	D1	QSPIR_CLK/PG3_3/P0_5
P0_6	B10	SD_ADC_GND/P0_6
P0_7	B9	NTC_IN/P0_7
P0_8	D6	SDGP_ADC2/PG4_3/P0_8
P0_9	B5	SDGP_ADC3/PG4_4/P0_9
P0_10	A3	M33_SWCLK/P0_10
P0_11	B3	M0_SWCLK/P0_11
P0_12	A4	M0_SWCLK/P0_12
P0_13	B4	M0_SWCLK/P0_13
P0_14	K6	USBp/P0_14
P0_15	K7	USBm/P0_15
P0_16	C9	SD_ADC_REF/P0_16
P0_17	C8	PG2_1/P0_17
P0_18	G10	PG2_2/P0_18
P0_19	C6	PG2_3/P0_19
P0_20	G8	PG2_4/P0_20
P0_21	C4	PG1_3/P0_21
P0_24	J9	PG1_4/P0_24
P0_25	H8	SDGP_ADC1/P0_25
P0_26	H7	PG0_1/P0_26
P0_27	C10	PG0_2/P0_27
P0_28	H5	PG0_3/P0_28
P0_29	D5	PG0_4/P0_29
P0_30	C3	PG1_1/P0_30
P0_31	D3	PG1_2/P0_31
P1_0	G6	ATMP1_0
P1_1	K8	ATMP1_1
P1_2	G6	ATMP1_2
P1_3	J10	ATMP1_3
P1_4	E6	ATMP1_4
P1_5	H3	ATMP1_5
P1_6	E4	ATMP1_6
P1_7	H3	ATMP1_7
P1_8	J7	ATMP1_8
P1_9	G9	ATMP1_9
P1_10	K8	ATMP1_10
P1_11	G6	ATMP1_11



dialog SEMICONDUCTOR

Dialog Semiconductor
N.E.O. Patron-Athionon 15
26441, Patras, Greece
tel. (+30) 2610390940
fax. (+30) 2610390941



Dialog Semiconductor
N.E.O. Patron-Athinon 15
26441, Patras, Greece
tel. (+30) 2610390940
fax. (+30) 2610390941

Title : **DA1469x devkt-pro daughterboard (VFBGA86)**

Doc. Nr. 331-19-D	Designer: PR	Rev:D
Date: Tuesday, December 11, 2018	Sheet: 3 of 3	