

# Application Note

## LED Lamp Driver

### AN-CM-301

#### **Abstract**

*This application note describes the High Voltage GreenPAK IC configured as a LED driver with brightness and color temperature control.*

*The application note comes complete with design files which can be found in the Reference section.*

---

**Contents**

**Abstract** ..... 1

**Contents** ..... 2

**Figures**..... 2

**Tables** ..... 2

**1 Terms and Definitions**..... 3

**2 References** ..... 3

**3 Introduction**..... 4

**4 Construction and Control**..... 5

**5 HV PAK Design**..... 7

    5.1 Design Operation ..... 8

    5.2 Current Limitation ..... 9

**6 Waveforms** ..... 9

**7 Conclusion**..... 10

**Revision History** ..... 11

**Figures**

Figure 1: Example LED Table Lamp ..... 4

Figure 2: Typical Application Circuit ..... 5

Figure 3: Block Diagram ..... 6

Figure 4: Warm LEDs On, Cold LEDs Off ..... 7

Figure 5: Cold LEDs On, Warm LEDs Off ..... 7

Figure 6: Design View ..... 7

Figure 7: PWM1 OUT Signal ..... 8

Figure 8: Modulated PWM1 Signal ..... 8

Figure 9: Current Limitation ..... 9

Figure 10: Warm LEDs On Max Brightness ..... 9

Figure 11: Cold LEDs On Max Brightness ..... 9

Figure 12: Cold LEDs 50 % and Warm LEDs 50 % Brightness ..... 10

**Tables**

Table 1: LEDs used in this example ..... 6

---

## LED Lamp Driver

### 1 Terms and Definitions

CCMP	Current Comparator
CMP	Comparator
DC	Direct Current
GPO	General Purpose Output
HV	High Voltage
LED	Light Emitting Diode
MCU	Microcontroller Unit
PWM	Pulse-Width Modulation

### 2 References

For related documents and software, please visit:

<https://www.dialog-semiconductor.com/configurable-mixed-signal>.

Download our free **GreenPAK™** Designer software [1] to open the .gp files [2] and view the proposed circuit design. Use the **GreenPAK** development tools [3] to freeze the design into your own customized IC in a matter of minutes. Dialog Semiconductor provides a complete library of application notes [4] featuring design examples as well as explanations of features and blocks within the Dialog IC.

- [1] [GreenPAK Designer Software](#), Software Download and User Guide, Dialog Semiconductor
- [2] [AN-CM-301, LED Lamp Driver.gp](#), **GreenPAK** Design File, Dialog Semiconductor
- [3] [GreenPAK Development Tools](#), **GreenPAK** Development Tools Webpage, Dialog Semiconductor
- [4] [GreenPAK Application Notes](#), **GreenPAK** Application Notes Webpage, Dialog Semiconductor
- [5] [SLG47105](#), Datasheet, Dialog Semiconductor

Author: Serhii Prykhodko

---

## LED Lamp Driver

### 3 Introduction

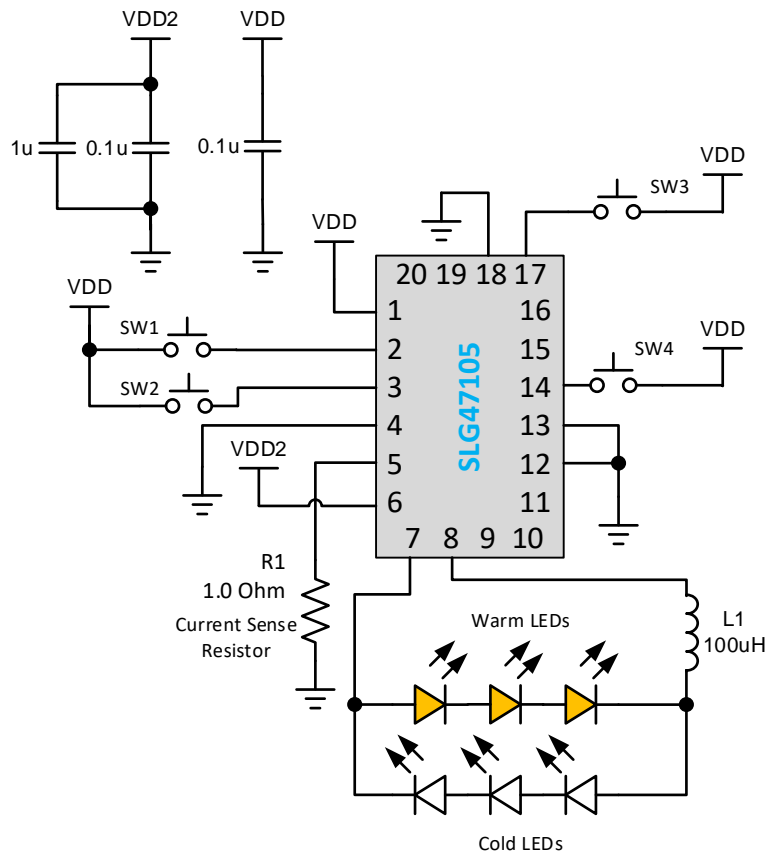
This application note describes the HV PAK configuration for LED control. Since LEDs have high efficiency and brightness, this makes them leaders in many lighting applications.

In this case, the SLG47105 [5] is configured as the LED driver with four buttons to control LED brightness and color temperature. These features are useful for LED table lamps (see [Figure 1](#)) or other lighting devices.



**Figure 1: Example LED Table Lamp**

## 4 Construction and Control



**Figure 2: Typical Application Circuit**

The design has four inputs for the LED driver control, as shown on [Figure 2](#):

- PIN#3 – increase lamp brightness
- PIN#17 – decrease lamp brightness
- PIN#14 – shift color temperature to the warm range
- PIN#2 – shift color temperature to the cold range

The general block diagram can be found in [Figure 3](#).

LED Lamp Driver

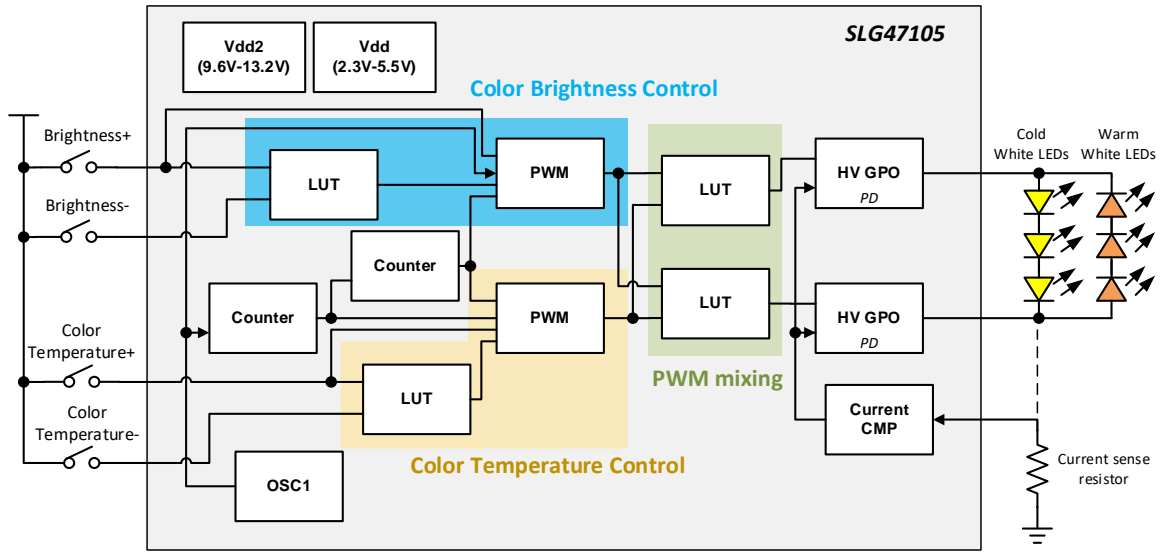


Figure 3: Block Diagram

Table 1: LEDs used in this example

Name	Current, mA	Voltage, V	Power, W	Emitted Color	Peak Wavelength, nm
GNL-5630UWC-Y50	150	3.2	0.5	Warm White	2800K-3200K
GNL-5630UWC-C50	150	3.2	0.5	Cold White	5500K-7000K

In this design example, LEDs were used without a PCB. Because of the resulting thermal limitations, the LED current was limited to 100 mA.

Current CMP disables HV OUTs when LED current is higher than 100 mA.

Current Comparator  $V_{ref}$  calculation:

$$V_{ref\_CCMP} = I_{LED\_MAX} * GAIN_{CCMP} * R_{SENSE} = 100\text{ mA} * 8 * 10\text{ ohm} = 800\text{ mV}$$

The power supply voltage for three LEDs connected in series should be higher than 9.6 V (3.2 V x 3). Maximum voltage is 13.2 V for the SLG47105.

Figure 4 and Figure 5 show LEDs connected to an Evaluation board with warm and cold LEDs each alternately turned fully on. Buttons SW1, SW4 allow setting color temperature anywhere in between.

LED Lamp Driver



Figure 4: Warm LEDs On, Cold LEDs Off



Figure 5: Cold LEDs On, Warm LEDs Off

5 HV PAK Design

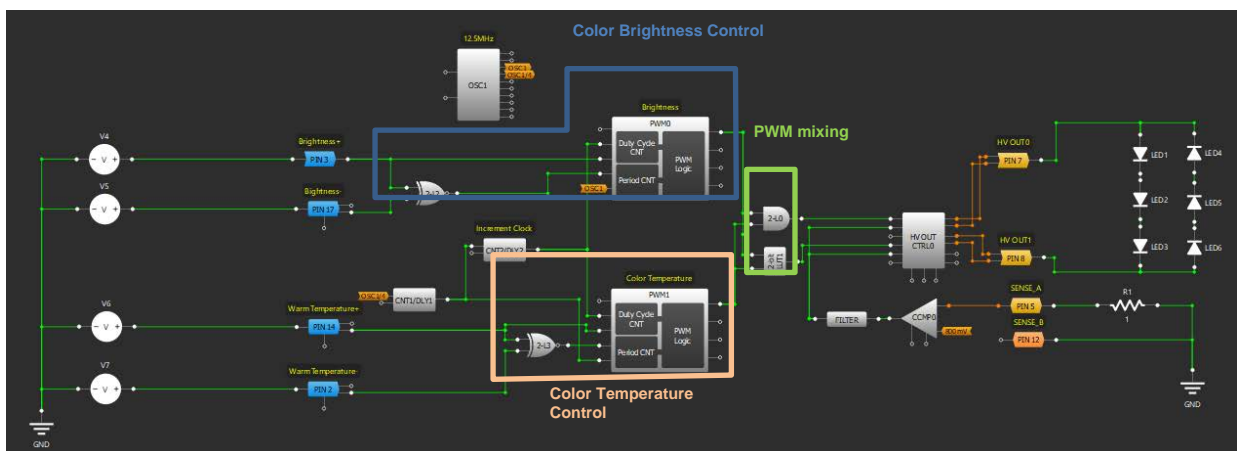


Figure 6: Design View

### 5.1 Design Operation

There are two PWM blocks, as shown in [Figure 6](#).

The PWM0 block generates 49 kHz frequency and controls the general LEDs brightness (for cold and warm LED strings together) using the PWM duty cycle. The duty cycle can be changed by PIN3 (increase) and PIN17 (decrease) in a range from 0 % to 100 %. The HIGH level on PIN3 or PIN17 disables the PWM0 KEEP signal through NXOR 2-L2, and CNT2 starts to clock the duty cycle. KEEP signal is active when PIN3 and PIN17 are LOW or HIGH together.

The PWM1 block generates a PWM signal with 120 Hz frequency to control LEDs color temperature. When PWM1 OUT is HIGH, then only warm LEDs are turned on, and when OUT is LOW – only cold LEDs are turned on. The PWM1 duty cycle can be changed by PIN14 (increase) and PIN2 (decrease). The buttons for PWM1 work similarly to PWM0 control buttons.

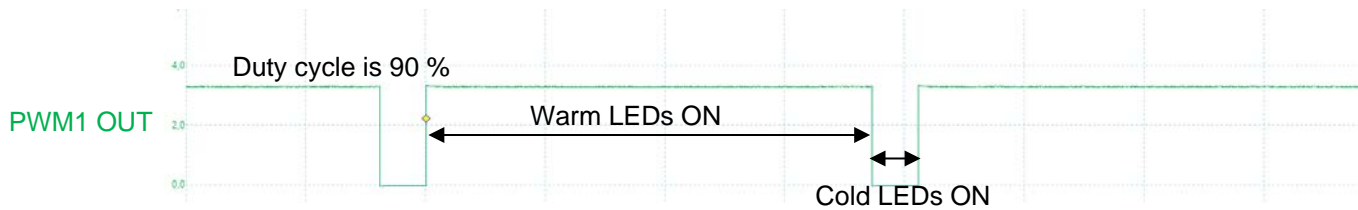


Figure 7: PWM1 OUT Signal

PWM1 signal is modulated by PWM0 signal, as shown on [Figure 8](#). As a result, the general brightness depends on the PWM0 duty cycle and the color temperature depends on the PWM1 duty cycle.

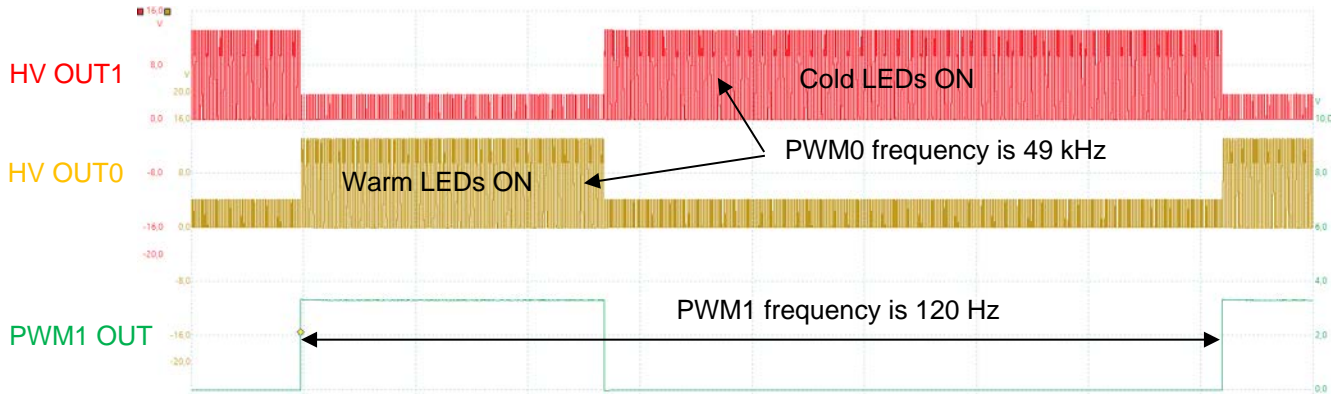


Figure 8: Modulated PWM1 Signal



### 5.2 Current Limitation

The CCMP turns off HV OUTs when current is higher than 100 mA, see [Figure 9](#).

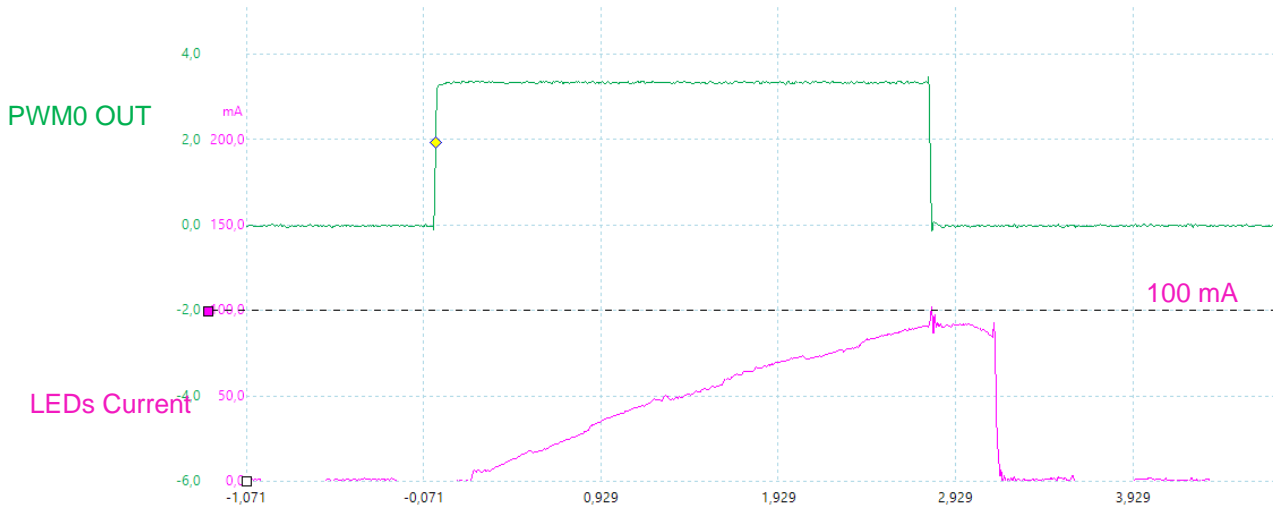


Figure 9: Current Limitation

## 6 Waveforms

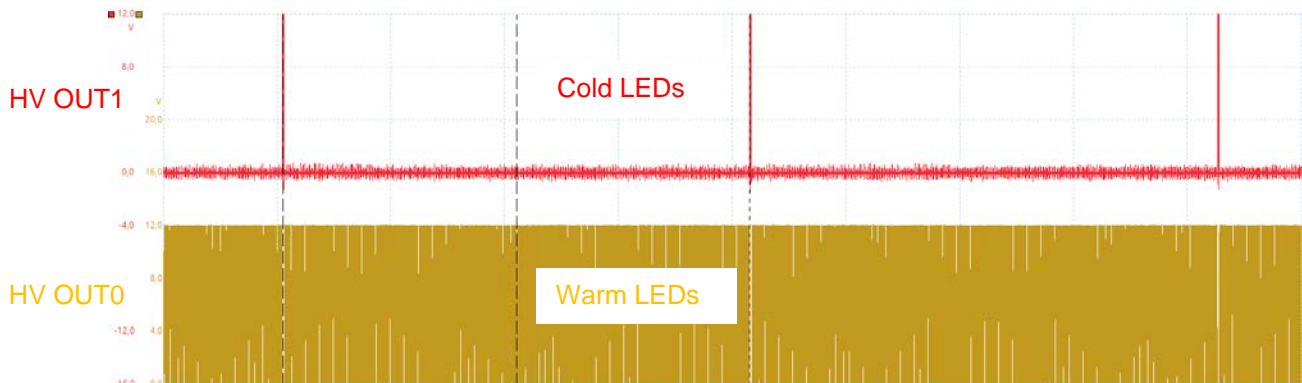


Figure 10: Warm LEDs On Max Brightness

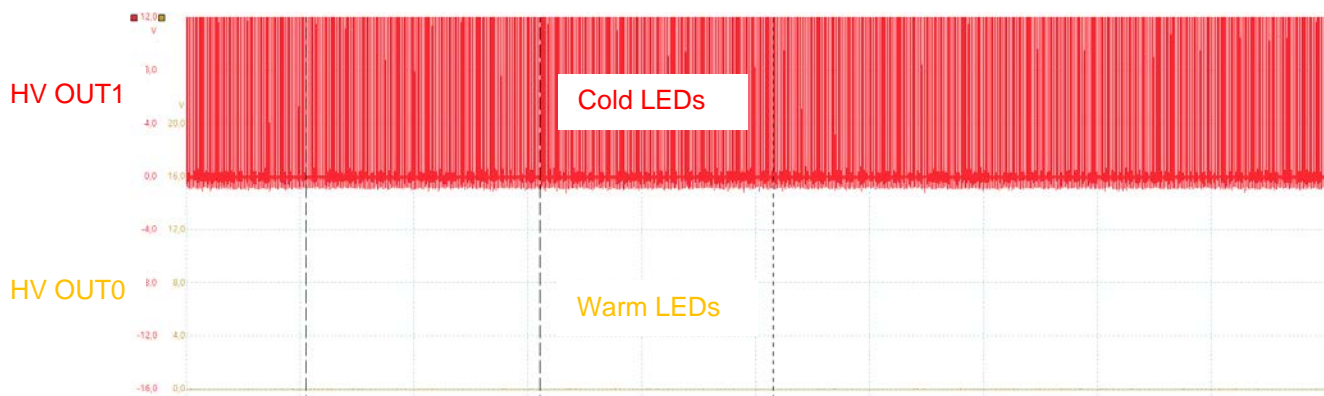


Figure 11: Cold LEDs On Max Brightness

LED Lamp Driver

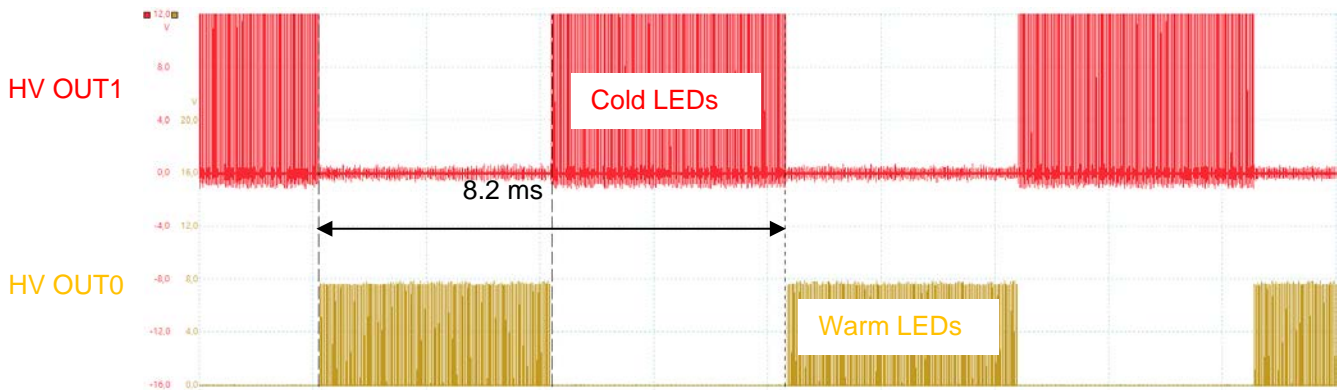


Figure 12: Cold LEDs 50 % and Warm LEDs 50 % Brightness

## 7 Conclusion

The application note describes how to configure the HV PAK for advanced LED control. The driver has a flexible configurable control logic, PWM frequency, and current limit. The HV PAK can control loads with current up to 2 A per one output, so it is possible to create powerful solutions using a single small GreenPAK IC, all with minimum external components.

## Revision History

Revision	Date	Description
1.0	24-Nov-2020	Initial version.

## LED Lamp Driver

### Status Definitions

Status	Definition
DRAFT	The content of this document is under review and subject to formal approval, which may result in modifications or additions.
APPROVED or unmarked	The content of this document has been approved for publication.

### Disclaimer

Information in this document is believed to be accurate and reliable. However, Dialog Semiconductor does not give any representations or warranties, expressed or implied, as to the accuracy or completeness of such information. Dialog Semiconductor furthermore takes no responsibility whatsoever for the content in this document if provided by any information source outside of Dialog Semiconductor.

Dialog Semiconductor reserves the right to change without notice the information published in this document, including without limitation the specification and the design of the related semiconductor products, software and applications.

Applications, software, and semiconductor products described in this document are for illustrative purposes only. Dialog Semiconductor makes no representation or warranty that such applications, software and semiconductor products will be suitable for the specified use without further testing or modification. Unless otherwise agreed in writing, such testing or modification is the sole responsibility of the customer and Dialog Semiconductor excludes all liability in this respect.

Customer notes that nothing in this document may be construed as a license for customer to use the Dialog Semiconductor products, software and applications referred to in this document. Such license must be separately sought by customer with Dialog Semiconductor.

All use of Dialog Semiconductor products, software and applications referred to in this document are subject to Dialog Semiconductor's [Standard Terms and Conditions of Sale](#), available on the company website ([www.dialog-semiconductor.com](http://www.dialog-semiconductor.com)) unless otherwise stated.

Dialog and the Dialog logo are trademarks of Dialog Semiconductor plc or its subsidiaries. All other product or service names are the property of their respective owners.

© 2020 Dialog Semiconductor. All rights reserved.

## Contacting Dialog Semiconductor

United Kingdom (Headquarters)  
Dialog Semiconductor (UK) LTD  
Phone: +44 1793 757700

Germany  
Dialog Semiconductor GmbH  
Phone: +49 7021 805-0

The Netherlands  
Dialog Semiconductor B.V.  
Phone: +31 73 640 8822

Email:  
[enquiry@diasemi.com](mailto:enquiry@diasemi.com)

North America  
Dialog Semiconductor Inc.  
Phone: +1 408 845 8500

Japan  
Dialog Semiconductor K. K.  
Phone: +81 3 5769 5100

Taiwan  
Dialog Semiconductor Taiwan  
Phone: +886 281 786 222

Web site:  
[www.dialog-semiconductor.com](http://www.dialog-semiconductor.com)

Hong Kong  
Dialog Semiconductor Hong Kong  
Phone: +852 2607 4271

Korea  
Dialog Semiconductor Korea  
Phone: +82 2 3469 8200

China (Shenzhen)  
Dialog Semiconductor China  
Phone: +86 755 2981 3669

China (Shanghai)  
Dialog Semiconductor China  
Phone: +86 21 5424 9058