

Application Note

SPI Digital ISDN Telephone Handset

AN-CM-299

Abstract

This application note describes how to create a SPI digital ISDN telephone handset using two Dialog GreenPAK™ ICs.

This application note comes complete with design files which can be found in the References section.

SPI Digital ISDN Telephone Handset

Contents

Abstract	1
Contents	2
Figures	2
Tables	2
1 Terms and Definitions	3
2 References	3
3 Introduction	4
4 SPI Digital Telephone Handset Circuit	5
5 GreenPAK Design Schematics	7
5.1 GreenPAK Design #1 – SPI ADC	7
5.2 GreenPAK Design #2 – SPI DAC	8
6 GreenPAK Design Pinout	9
7 Test Results	11
8 Conclusion and Results Discussion	11
Appendix A RC Filter Calculation	12

Figures

Figure 1: Telephone Handset	4
Figure 2: Handset Circuit	5
Figure 3: Intersective PWM Signal Generation	6
Figure 4: Top View of the GreenPAK Design Schematic #1 – SPI ADC	7
Figure 5: Top View of the GreenPAK Design Schematic #2 – SPI DAC	7
Figure 6: System Diagram	8
Figure 7: Pin Configuration - STQFN14L	9
Figure 8: Pin Configuration - STQFN14L	10
Figure 9: Microphone Frequency Response to Uniform White Noise	11

Tables

Table 1: Design Pinout #1 - ADC	9
Table 2: Design Pinout #2 - DAC	10

SPI Digital ISDN Telephone Handset

1 Terms and Definitions

ADC	Analog-to-digital converter
DAC	Digital-to-analog converter
IC	Integrated circuit
ISDN	Integrated services digital network
MCU	Microcontroller unit
PWM	Pulse-width modulation
SPI	Serial peripheral interface

2 References

For related documents and software, please visit:

<https://www.dialog-semiconductor.com/configurable-mixed-signal>.

Download our free **GreenPAK™** Designer software [1] to open the .gp files [2] and view the proposed circuit design. Use the **GreenPAK** development tools [3] to freeze the design into your own customized IC in a matter of minutes. Dialog Semiconductor provides a complete library of application notes [4] featuring design examples as well as explanations of features and blocks within the Dialog IC.

- [1] [GreenPAK Designer Software](#), Software Download and User Guide, Dialog Semiconductor
- [2] [AN-CM-299 SPI Digital ISDN Telephone Handset.gp](#), [GreenPAK Design File](#), Dialog Semiconductor
- [3] [GreenPAK Development Tools](#), [GreenPAK Development Tools Webpage](#), Dialog Semiconductor
- [4] [GreenPAK Application Notes](#), [GreenPAK Application Notes Webpage](#), Dialog Semiconductor
- [5] [SLG46140V](#), Datasheet, Dialog Semiconductor
- [6] [SPI Telephone Handset Overview](#), Youtube

SPI Digital ISDN Telephone Handset

3 Introduction

A handset is the part of a land line telephone that contains a speaker to receive audio, a microphone to transmit audio, and circuitry to interface with the base station. It can also be in the form of a headset.

Integrated Services Digital Network (ISDN) is a set of communication standards for simultaneous digital transmission of voice, video, data, and other network services over the traditional circuits of the public switched telephone network. The bearer channel (B) is a standard 64 kbit/s voice channel of 8 bits sampled at 8 kHz.

This application note will present the design of a SPI digital ISDN telephone handset using two SLG46140V [5] GreenPAK IC's. The designed telephone handset contains a speaker and a microphone and can transmit and receive audio over the SPI bus to/from the base unit at 64 kbit/s (8 bit audio sampled at 8 kHz sampling rate).

The following sections will show:

- the SPI digital telephone handset circuit;
- the SLG46140V GreenPAK telephone handset design in detail;
- how to drive the handset over SPI.



Figure 1: Telephone Handset

SPI Digital ISDN Telephone Handset

4 SPI Digital Telephone Handset Circuit

Figure 2 shows the handset circuit. The capacitive microphone is connected between GND and a 10 k pullup resistor to 5 V. This fills the microphone capacitor with charge proportional to its capacitance. Sound vibrations make the capacitance fluctuate which in turn results in voltage fluctuations on the positive microphone terminal pin. The sound modulated voltage gets AC coupled and transmitted across the 1 μ F capacitor to the PGA (+) - input on PIN6 of the left SLG46140V GreenPAK device. The two 10 k resistors connected to PIN6 are a weak voltage divider dividing the 1200 mV VREF on PIN3 to 600 mV to center the input to the middle of the PGA/ADC range (0~1200 mV). PIN7 is the PGA (-) - input and is just centered at 600 mV by two 10 k resistors dividing VREF. That way we have a ZERO point from which we can use the differential PGA amplification (16x) to amplify the microphone signal around the 600 mV ZERO point. Without the differential PGA mode, 16x amplification would result in amplifying also the 600 mV offset, saturating the PGA to the maximum value and losing the microphone signal.

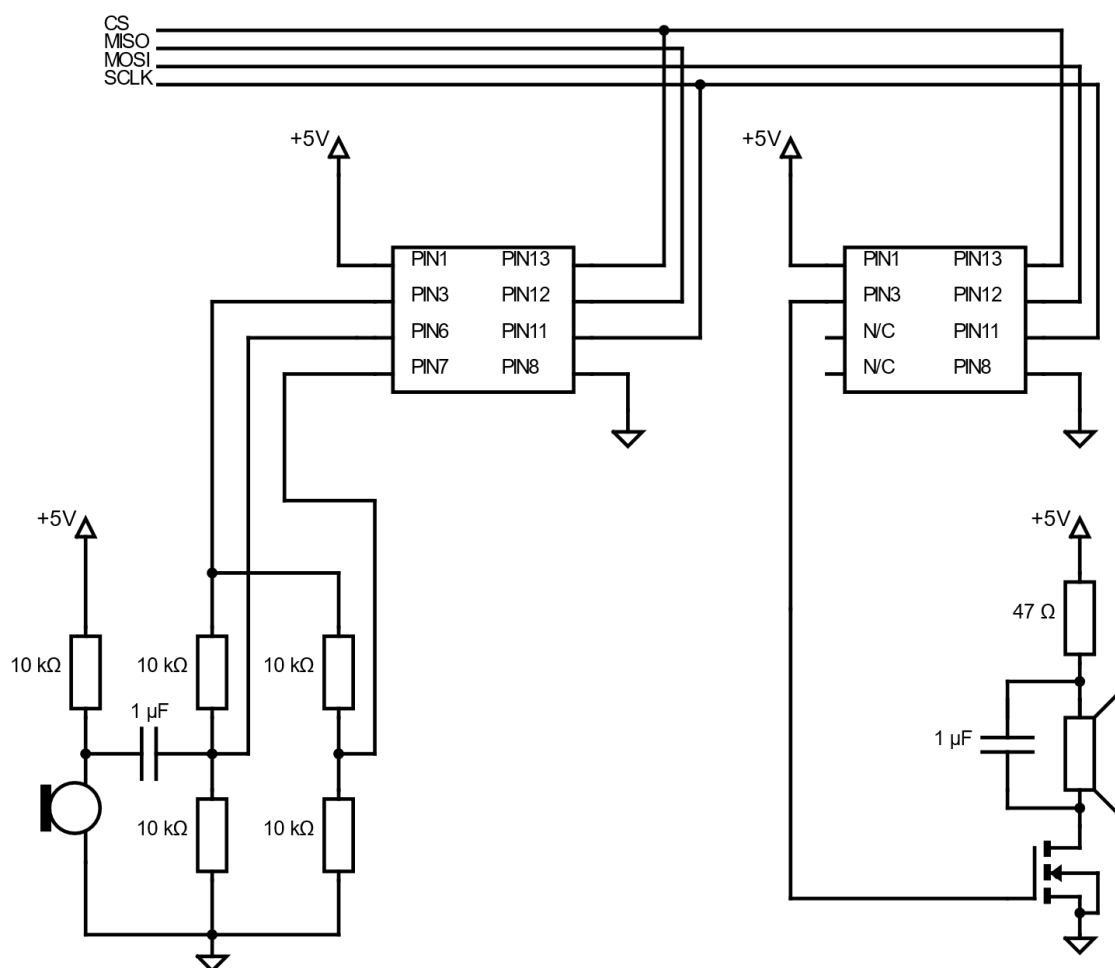


Figure 2: Handset Circuit

The microphone signal gets amplified, digitized and transmitted over the SPI bus to the base unit.

From the base unit we receive the digital voice signal of the other party over the SPI bus, and inside the right SLG46140V GreenPAK device it gets converted to a PWM signal (0/5 V, 106 kHz) suitable for the n-MOS driver of the speaker. The n-MOS driver modulates the +5 V voltage on the speaker

SPI Digital ISDN Telephone Handset

with the PWM voice signal, creating audible sound on the speaker to hear the other party. The sound is RC filtered for improved clarity.

Figure 3 shows a simple method to generate the PWM pulse train corresponding to a given signal is by using the intersective PWM method: the signal (here the red sine wave) is compared with a sawtooth waveform (blue). When the latter is less than the former, the PWM signal (bottom) is in high state (1). Otherwise it is in the low state (0). We do all this digitally, with a counter for the sawtooth, and an updating SPI voice value for the signal.

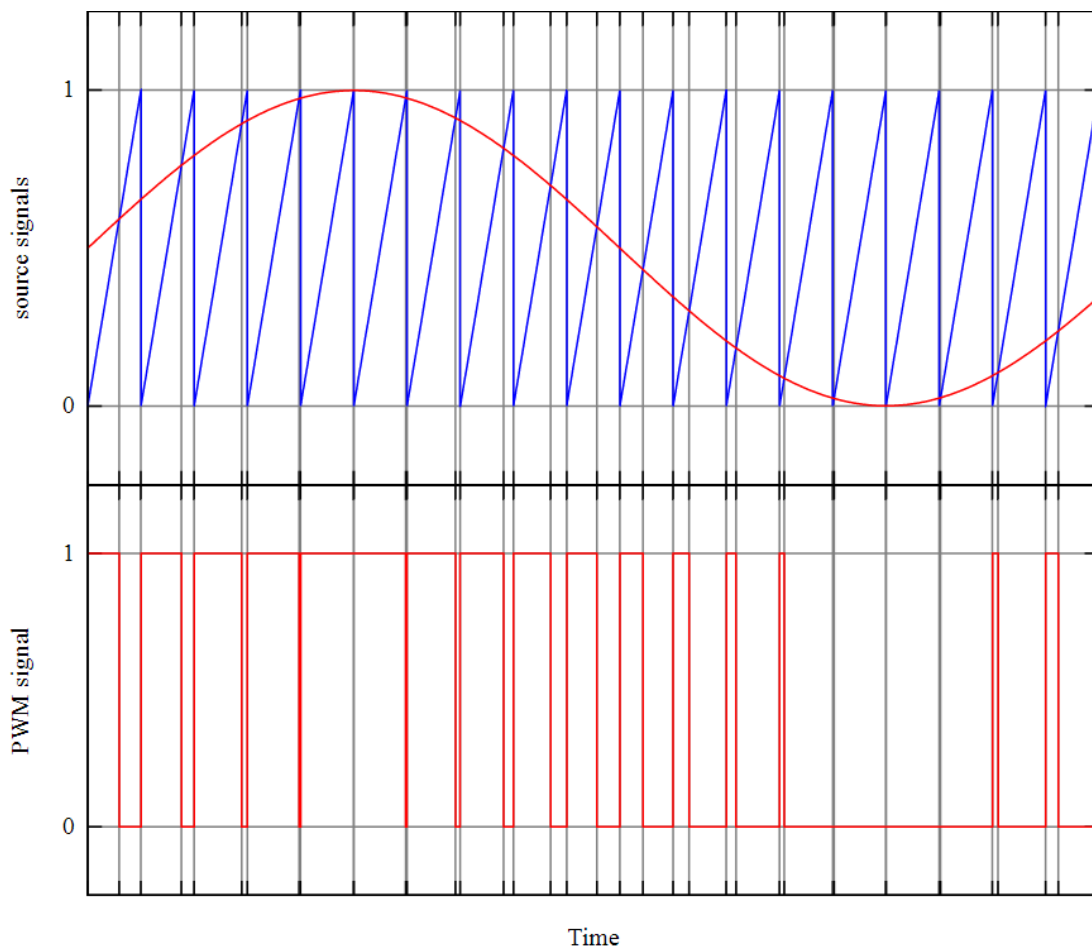


Figure 3: Intersective PWM Signal Generation

SPI Digital ISDN Telephone Handset

5 GreenPAK Design Schematics

The schematic of the GreenPAK design #1 - SPI ADC is shown in Figure 4.

The schematic of the GreenPAK design #2 - SPI DAC is shown in Figure 5.

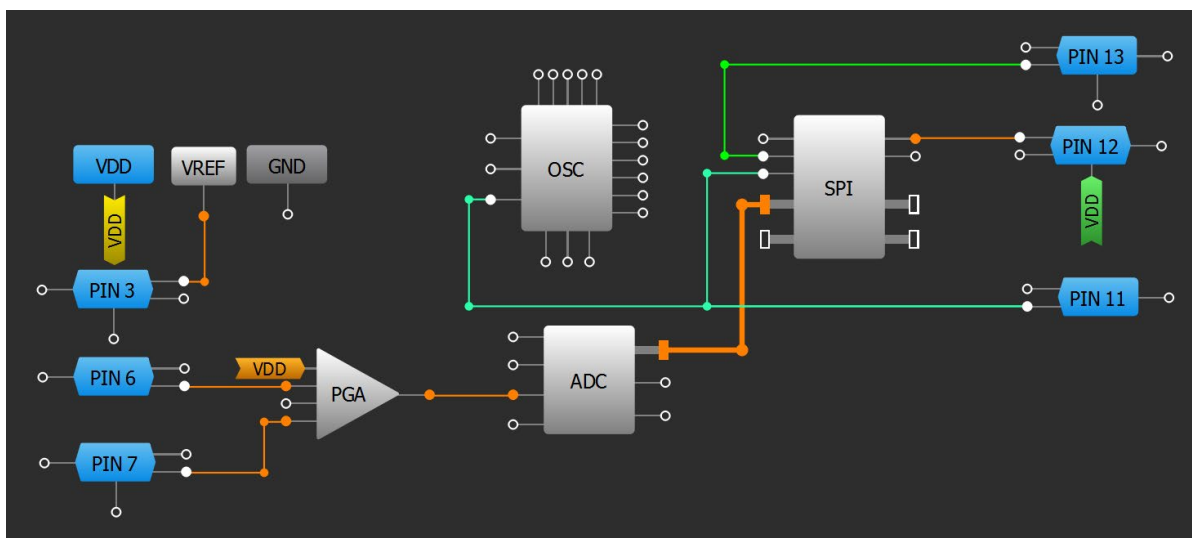


Figure 4: Top View of the GreenPAK Design Schematic #1 – SPI ADC

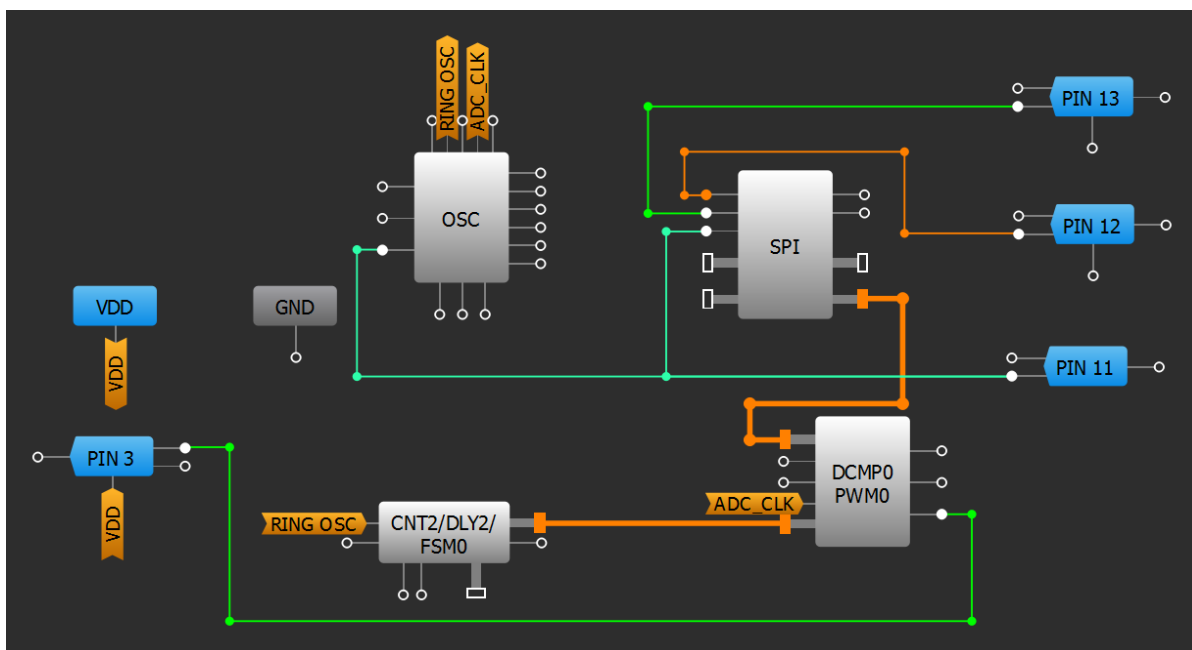


Figure 5: Top View of the GreenPAK Design Schematic #2 – SPI DAC

5.1 GreenPAK Design #1 – SPI ADC

The analog microphone signal gets differentially amplified in the PGA (x16) and then gets fed into the ADC to be digitized. The digitized signal gets transmitted over the MISO line (PIN12) while the SPI master provides the SCLK (PIN11) and sample framing every 16 bits thru the nCSB (PIN13). The samples happen to occupy bits [9:2] out of [15:0] and are UNSIGNED WITH OFFSET

SPI Digital ISDN Telephone Handset

(0x0000~0x03FC) as can be seen from the logic analyzer screen shot for the ADC value saturated to the maximum value - [Figure 6](#).

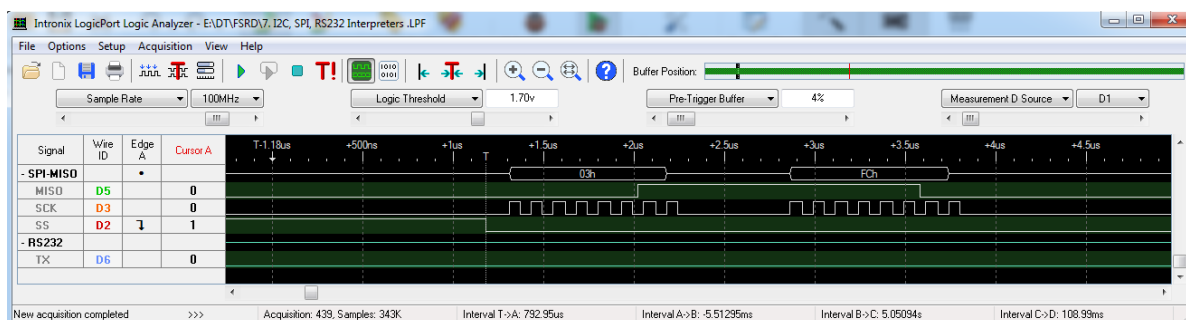


Figure 6: System Diagram

The C source code snippet below shows how to read a word of SPI data and convert the sample to from UNSIGNED WITH OFFSET (0x0000~0x03FC) to SIGNED value (0xFE00~0x01FC).

```
/*AudioInput.c*****BEGIN**SNIPPET**
NCSB_ASSERT;
AudioSample = ((int16_t)SPI_TransferByte(0))<<8;
AudioSample |= ((int16_t)SPI_TransferByte(0))&0x00FF;
NCSB_DEASSERT;
AudioSample >>= 2;
AudioSample = (AudioSample&0x80) ? (0x007F&AudioSample) : (0xFF80|AudioSample);
AudioSample <<= 2;

**AudioInput.c*****END**SNIPPET**/
```

5.2 GreenPAK Design #2 – SPI DAC

The digitized signal gets transmitted over the MOSI line (PIN12) while the SPI master provides the SCLK (PIN11) and sample framing every 16 bits thru nCSB (PIN13). Since we are reading only 8 bits [15:8] it is OK to transmit the sample twice every nCSB frame. The C source code snippet below shows how to write a word of SPI data.

```
/*AudioOutput.c*****BEGIN**SNIPPET**
NCSB_ASSERT;
SPI_TransferByte(MixedSample_8Bit);
SPI_TransferByte(MixedSample_8Bit);
NCSB_DEASSERT;

**AudioOutput.c*****END**SNIPPET**/
```

The digitized audio sample then gets compared inside DCMP0/PWM0 to a digital “sawtooth signal” from CNT2 counting (0 ~ 255) with an overflow period of 9.3945 uS, (or 106 kHz). This results in a PWM signal going to PIN3 suitable for driving a small speaker thru a n-MOS driver.

SPI Digital ISDN Telephone Handset

6 GreenPAK Design Pinout

The Design consists of two GreenPAK SLG46140V ICs. The #1 - ADC Pinout is shown in Table 1 and Figure 7. The #2 - DAC Pinout is shown in Table 2 and Figure 8.

Table 1: Design Pinout #1 - ADC

Pin #	Pin Function
1	+5 V Supply
2	
3	VREF 1200 mV
4	
5	
6	PGA IN+ (MIC)
7	PGA IN- (600 mV)
8	Ground
9	
10	
11	SPI SCLK
12	SPI MISO
13	SPI nCSB
14	

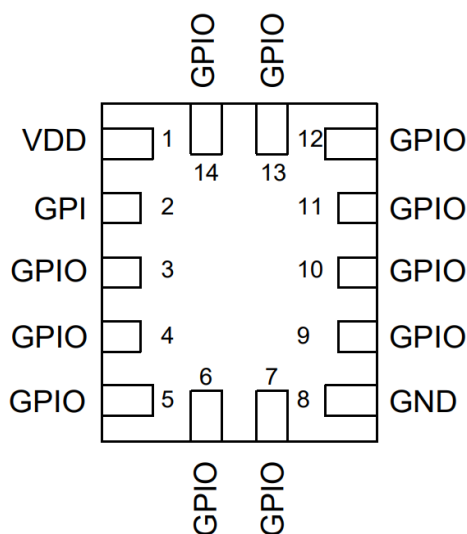


Figure 7: Pin Configuration - STQFN14L

SPI Digital ISDN Telephone Handset

Table 2: Design Pinout #2 - DAC

Pin #	Pin Function
1	+5 V Supply
2	
3	PWM (SPEAKER)
4	
5	
6	
7	
8	Ground
9	
10	
11	SPI SCLK
12	SPI MOSI
13	SPI nCSB
14	

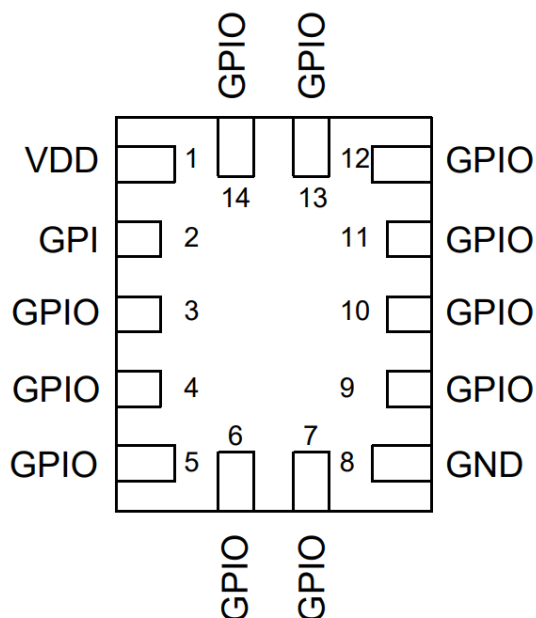


Figure 8: Pin Configuration - STQFN14L

SPI Digital ISDN Telephone Handset

7 Test Results

The microphone signal is sampled at 8 bit resolution and 8kHz sampling frequency, outputting an uncompressed digital audio signal of 64 kbit/s. With the use of an Atmel AT90USB1286 USB devkit and the LUFAlib (Lightweight USB Framework for AVRs) we have compiled an Audio Input Device to feed the signal into GNUradio software for Fourier Analysis. Figure 9 shows the microphone signal frequency response to uniform white noise. This would be a good approximation of the microphone system transfer function. Since it has a wide uniform gain area it is a more quantitative proof of its ability to transfer audible sound to the base unit.

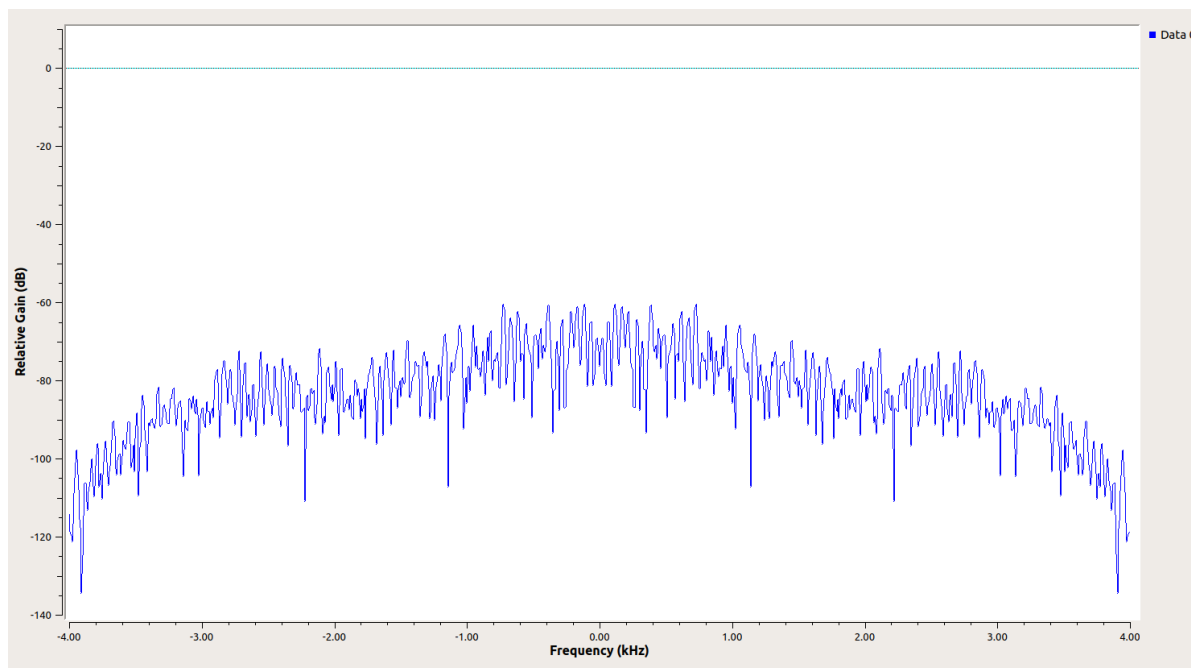


Figure 9: Microphone Frequency Response to Uniform White Noise

The speaker system was tested as well. With the use of an Atmel AT90USB1286 USB devkit and the LUFAlib (Lightweight USB Framework for AVRs) we have compiled an AudioOutput Device to feed the digital signal from a PC into our GreenPAK DAC driving the n-MOS driver, and subsequently the speaker. The audio quality had distinguishable speech/voice, suitable for a handset of a telephone.

8 Conclusion and Results Discussion

The Design of a SPI Digital ISDN Telephone Handset was presented. Through two GreenPAK designs on the SLG46140V we have successfully implemented a light-weight cost-effective solution. The design successfully encodes/decodes a microphone/speaker audio signal with 8 bit resolution at 8 kHz sample rate resulting in 64 kbit/s uncompressed audio suitable for a telephone quality voice call over the ISDN network. We have used two IC's in the design since the ADC/SPI and SPI/DAC components cannot be used simultaneously in one IC. The SPI component is not "Full-Duplex", so in a single device we have to choose between the SPI P2S (Parallel 2 Serial) and the SPI S2P (Serial 2 Parallel) mode using the SPI MISO pin in the first case and the SPI MOSI pin in the second case. This should not be a problem because the GreenPAK IC's are compact and still cost-effective even when used in pairs or more per design.

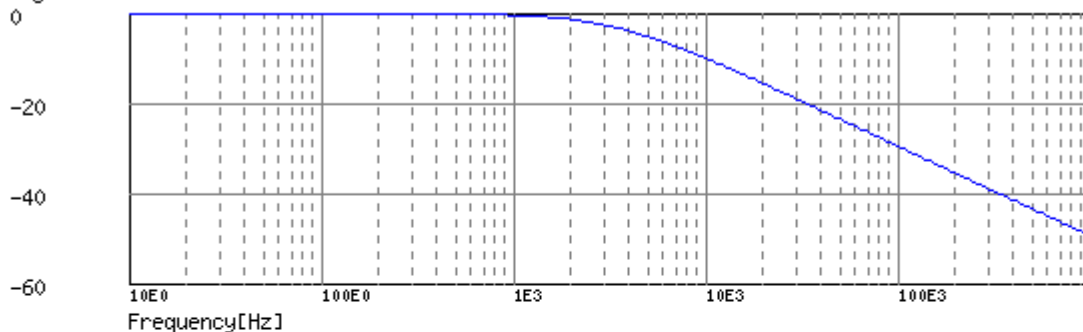
SPI Digital ISDN Telephone Handset

Appendix A RC Filter Calculation

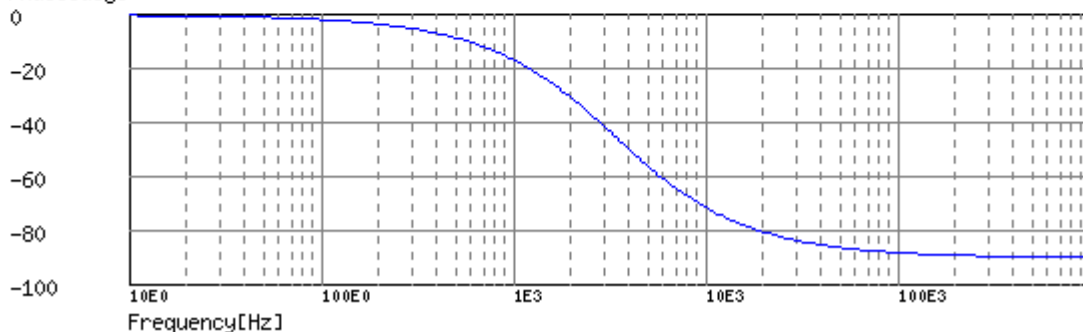
1. Since the speaker is 32 ohm, we will have the same order of magnitude R to maximize power.
2. We want a cutoff frequency of just under 4 kHz. ($8\text{ kHz}/2$)
3. Let R be $\sim 47\text{ ohm}$...
4. That means that C should be $1 / 4\text{ kHz} / 2 / \text{Pi} / 47\text{ ohm} = \sim 1\text{ uF}$...
5. ...for a cutoff frequency of $1 / 2 / \text{Pi} / R / C = \sim 3.4\text{ kHz}$

BodeDiagram

Magnitude[dB]



Phase[deg]



(c)okawa-denshi.jp

SPI Digital ISDN Telephone Handset

Revision	Date	Description
1.0	13-Jul-2020	Initial Version

SPI Digital ISDN Telephone Handset

Status Definitions

Status	Definition
DRAFT	The content of this document is under review and subject to formal approval, which may result in modifications or additions.
APPROVED or unmarked	The content of this document has been approved for publication.

Disclaimer

Information in this document is believed to be accurate and reliable. However, Dialog Semiconductor does not give any representations or warranties, expressed or implied, as to the accuracy or completeness of such information. Dialog Semiconductor furthermore takes no responsibility whatsoever for the content in this document if provided by any information source outside of Dialog Semiconductor.

Dialog Semiconductor reserves the right to change without notice the information published in this document, including without limitation the specification and the design of the related semiconductor products, software and applications.

Applications, software, and semiconductor products described in this document are for illustrative purposes only. Dialog Semiconductor makes no representation or warranty that such applications, software and semiconductor products will be suitable for the specified use without further testing or modification. Unless otherwise agreed in writing, such testing or modification is the sole responsibility of the customer and Dialog Semiconductor excludes all liability in this respect.

Customer notes that nothing in this document may be construed as a license for customer to use the Dialog Semiconductor products, software and applications referred to in this document. Such license must be separately sought by customer with Dialog Semiconductor.

All use of Dialog Semiconductor products, software and applications referred to in this document are subject to Dialog Semiconductor's [Standard Terms and Conditions of Sale](#), available on the company website (www.dialog-semiconductor.com) unless otherwise stated.

Dialog and the Dialog logo are trademarks of Dialog Semiconductor plc or its subsidiaries. All other product or service names are the property of their respective owners.

© 2020 Dialog Semiconductor. All rights reserved.

Contacting Dialog Semiconductor

United Kingdom (Headquarters)

Dialog Semiconductor (UK) LTD
Phone: +44 1793 757700

Germany

Dialog Semiconductor GmbH
Phone: +49 7021 805-0

The Netherlands

Dialog Semiconductor B.V.
Phone: +31 73 640 8822

Email:

enquiry@diasemi.com

North America

Dialog Semiconductor Inc.
Phone: +1 408 845 8500

Japan

Dialog Semiconductor K. K.
Phone: +81 3 5769 5100

Taiwan

Dialog Semiconductor Taiwan
Phone: +886 281 786 222

Web site:

www.dialog-semiconductor.com

Hong Kong

Dialog Semiconductor Hong Kong
Phone: +852 2607 4271

Korea

Dialog Semiconductor Korea
Phone: +82 2 3469 8200

China (Shenzhen)

Dialog Semiconductor China
Phone: +86 755 2981 3669

China (Shanghai)

Dialog Semiconductor China
Phone: +86 21 5424 9058