

Application Note

Converting 8Ch PWM to Pulse Position Modulation

AN-CM-266

Abstract

This application note presents how to design a circuit for converting PWM signals to Pulse Position Modulation (PPM) signals using only a single GreenPAK CMIC.

This application note comes complete with design files which can be found in the References section.

Converting 8Ch PWM to Pulse Position Modulation

Contents

Abstract	1
Contents	2
Figures.....	2
1 Terms and Definitions.....	3
2 References	3
3 Introduction.....	4
4 Input and Output Signals.....	4
5 GreenPAK Design	5
6 PCB Design.....	6
7 Results.....	7
8 Conclusions.....	8
Revision History	9

Figures

Figure 1: Timing Diagram: Converter Signals	4
Figure 2: GreenPAK Design	5
Figure 3: Sequence of Operations	6
Figure 4: Prototype PCB and Test Board.....	6
Figure 5: PPM Converter Functionality for 8 Channels of PWM Signals	7
Figure 6: PPM Converter Functionality for 4 Channels of PWM Signals	7

Converting 8Ch PWM to Pulse Position Modulation

1 Terms and Definitions

Ch	Channel
CMIC	Configurable Mixed-signal Integrated Circuit
PPM	Pulse Position Modulation
PWM	Pulse Width Modulation
RC models	Radio Control models
Etc.	

2 References

For related documents and software, please visit:

<https://www.dialog-semiconductor.com/configurable-mixed-signal>.

Download our free **GreenPAK™** Designer software [1] to open the .gp files [2] and view the proposed circuit design. Use the **GreenPAK** development tools [3] to freeze the design into your own customized IC in a matter of minutes. Dialog Semiconductor provides a complete library of application notes [4] featuring design examples as well as explanations of features and blocks within the Dialog IC.

- [1] [GreenPAK Designer Software](#), Software Download and User Guide, Dialog Semiconductor
- [2] [AN-CM-266 Converting 8Ch PWM to Pulse Position Modulation.gp](#), [GreenPAK Design File](#), Dialog Semiconductor
- [3] [GreenPAK Development Tools](#), [GreenPAK Development Tools Webpage](#), Dialog Semiconductor
- [4] [GreenPAK Application Notes](#), [GreenPAK Application Notes Webpage](#), Dialog Semiconductor

Converting 8Ch PWM to Pulse Position Modulation

3 Introduction

We will review 2 output signal formats of radio Receivers for radio-controlled models (or RC models). The traditional and most common type of Receiver signal is PWM, and usually PWM requires only one wire per channel. PPM signaling is now getting more and more popular because it can handle all channels on a single wire. So, sometimes there is a need to convert PWM signaling to PPM. The goal of this application note is to design a circuit that can convert 8Ch PWM signals to PPM.

4 Input and Output Signals

Figure 1 shows the input and output signals used in this app note. The PWM signals (one for each channel) are output one by one by the Receiver and the duty cycle information represents the users desired position by the Transmitter. In contrast, the PPM signal contains the duty cycle information of all the PWM channels. In both cases, the value of each channel is represented in a standardized way. The interpreted width of a 1 mS positive pulse represents 0 % position, and 2 mS represents 100%.

In PPM signaling, the values of each channel are represented by the delay between rising edges of positive pulses each having 400 uS fixed width.

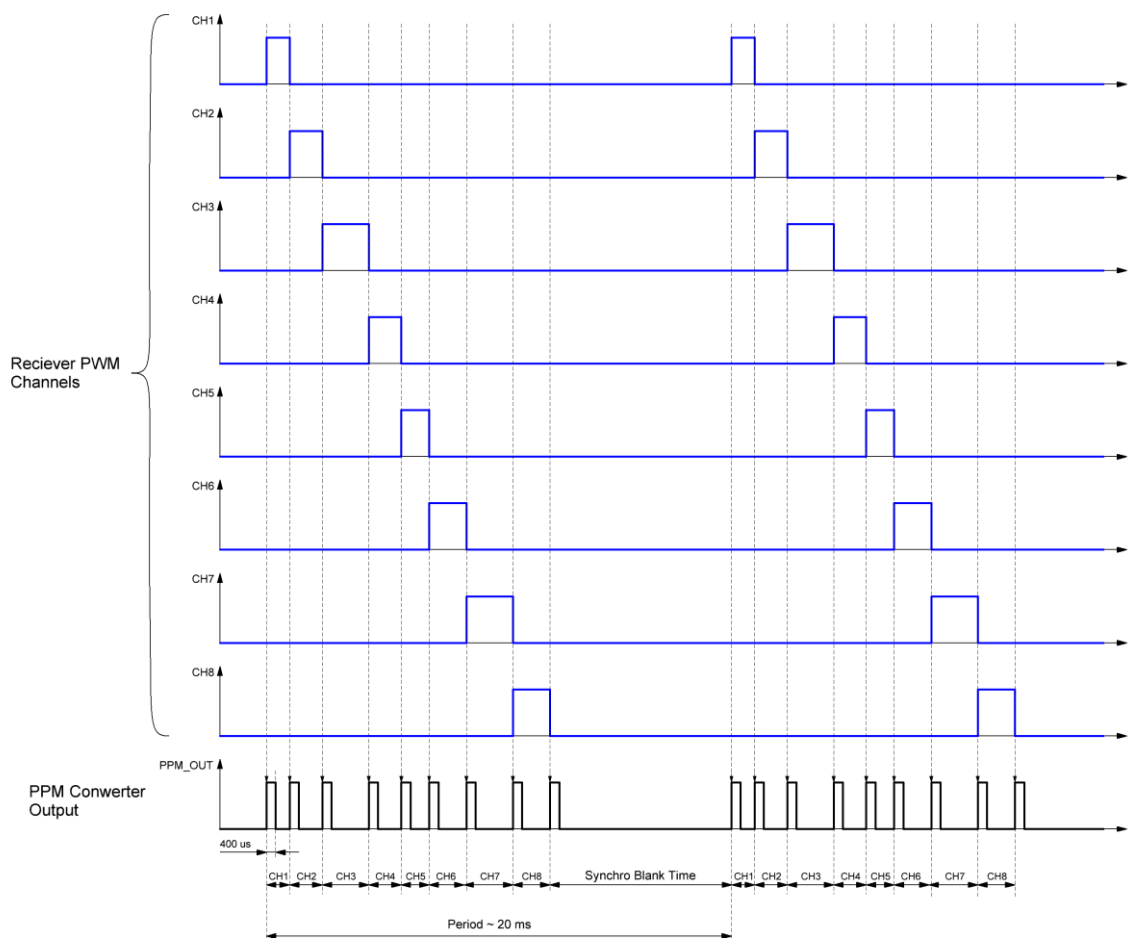


Figure 1: Timing Diagram: Converter Signals

Converting 8Ch PWM to Pulse Position Modulation

5 GreenPAK Design

The design approach is to detect the Rising and Falling Edges of each PWM channel, generate PPM pulses from each edge, and then combine them into one PPM channel. For this the **GreenPAK** design uses DLY3 Both Edge Detector, P DLY Both Edge Detector and LUTs, Both Edge Detector structure with Buffer and XOR LUT, as shown in **Figure 2**. Further, Both Edge pulses go to an 8-bit OR structure that consists of 3-bit LUTs 7,5 and 4-bit LUT0 configured as OR gates. At the 4-bit LUT0 output, all Edge Pulses are combined and then sent to a rising edge triggered one-shot structure that consists of a Pipe Delay and 400 us DLY0 to generate the PPM signal. Also, each input PIN has an internal 100k Ohm pull down resistor for noise stability if some inputs are not used.

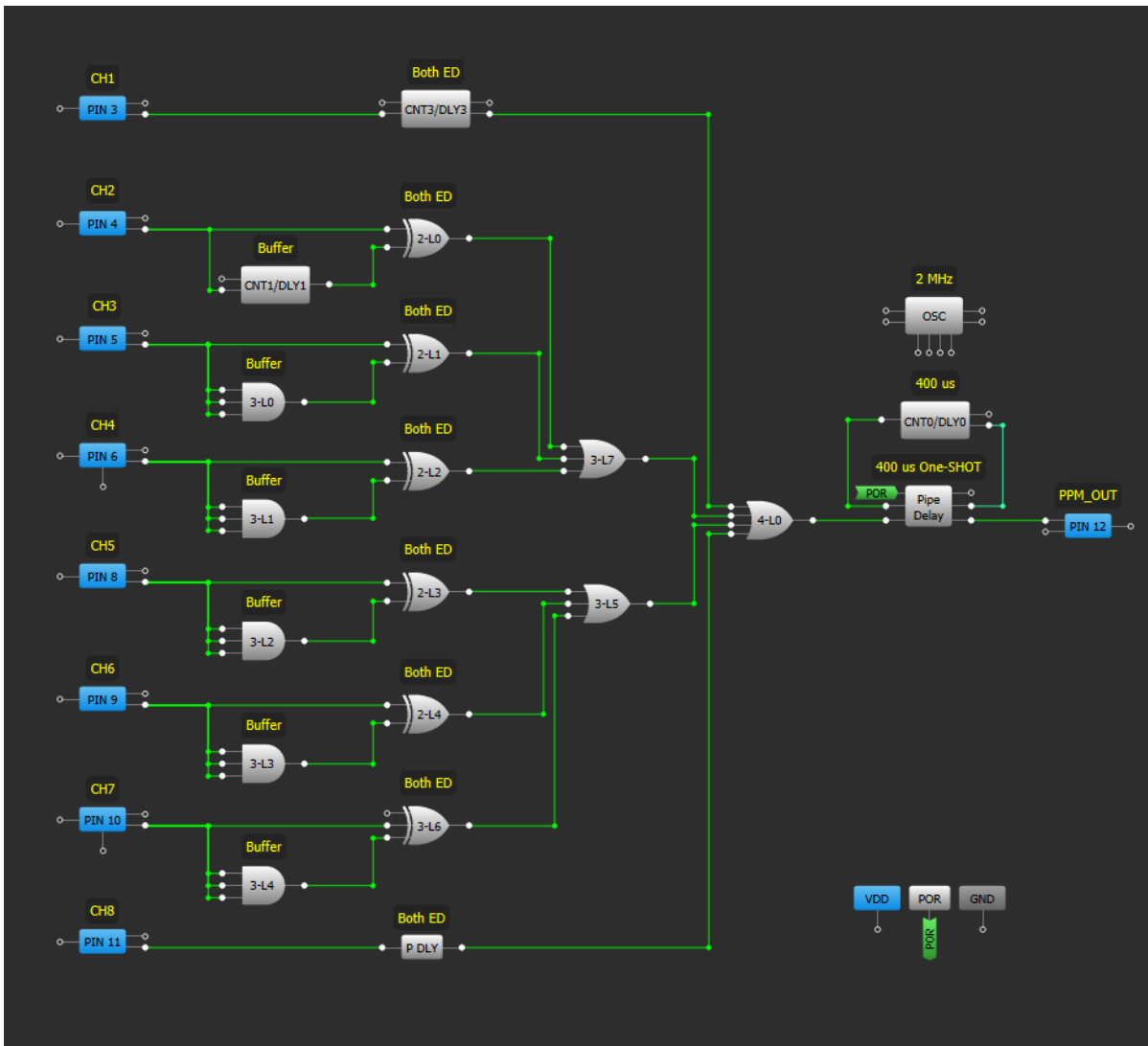


Figure 2: GreenPAK Design

Converting 8Ch PWM to Pulse Position Modulation

The sequence of these operations is clearly presented in Figure 3. It represents 8 PWM to 1 PPM channels conversion.

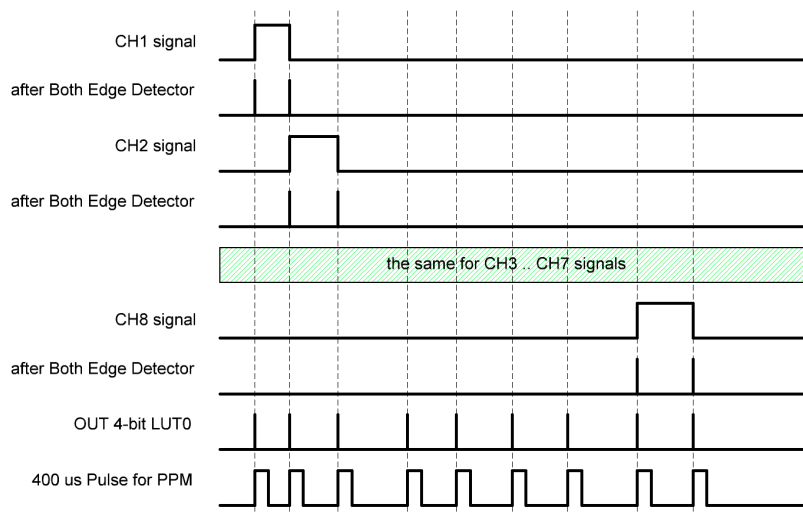


Figure 3: Sequence of Operations

6 PCB Design

The functional prototype of this design with RC Transmitter & Receiver is shown in Figure 4.



Figure 4: Prototype PCB and Test Board

Converting 8Ch PWM to Pulse Position Modulation

7 Results

In [Figure 5](#) waveforms, the signals/channels legend is: D1 = CH1, D8 = CH8 accordingly, and Channel 1 (blue) = PPM Converter output. [Figure 5](#) shows 8 channels of PWM signals converted to one channel of PPM signal.

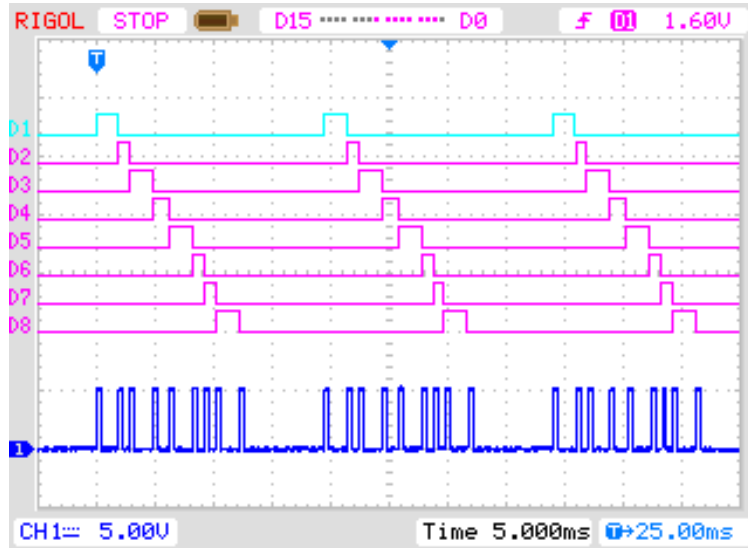


Figure 5: PPM Converter Functionality for 8 Channels of PWM Signals

Also, this PPM Converter can process less than 8 channels of PWM signals. For example, [Figure 6](#) shows 4 channels of PWM signals converted to one channel of PPM signal.

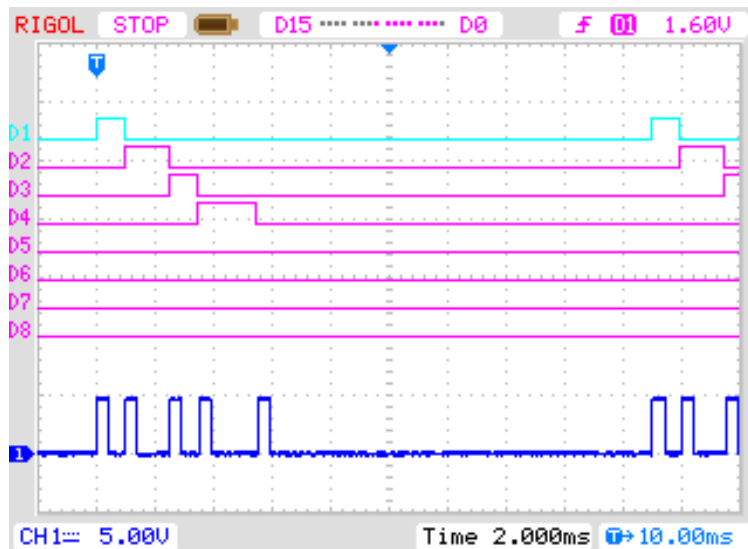


Figure 6: PPM Converter Functionality for 4 Channels of PWM Signals

Converting 8Ch PWM to Pulse Position Modulation

8 Conclusions

In this application note we designed, built, and verified a circuit for converting PWM signals to Pulse Position Modulation (PPM) signals using only a single **GreenPAK** CMIC. It can process anywhere from one to eight PWM channels. Major advantages of using **GreenPAK** are availability of on-chip circuit blocks, very small physical area, low power, and low cost. Other functionality or integration can be configured into the same CMIC by using leftover available circuit blocks, thereby reducing product size and cost even further.

This app note shows how to create an 8 Channel PWM signals to PPM signal Converter using only one **GreenPAK** CMIC. Detection of Rising and Falling Edges of each PWM channel signal and their "merger" allowed to get PPM signal. A single **GreenPAK** CMIC Converter can process anywhere from one to eight PWM channels.

Converting 8Ch PWM to Pulse Position Modulation

Revision History

Revision	Date	Description
1.0	10-Jan-2019	Initial Version

Converting 8Ch PWM to Pulse Position Modulation

Status Definitions

Status	Definition
DRAFT	The content of this document is under review and subject to formal approval, which may result in modifications or additions.
APPROVED or unmarked	The content of this document has been approved for publication.

Disclaimer

Information in this document is believed to be accurate and reliable. However, Dialog Semiconductor does not give any representations or warranties, expressed or implied, as to the accuracy or completeness of such information. Dialog Semiconductor furthermore takes no responsibility whatsoever for the content in this document if provided by any information source outside of Dialog Semiconductor.

Dialog Semiconductor reserves the right to change without notice the information published in this document, including without limitation the specification and the design of the related semiconductor products, software and applications.

Applications, software, and semiconductor products described in this document are for illustrative purposes only. Dialog Semiconductor makes no representation or warranty that such applications, software and semiconductor products will be suitable for the specified use without further testing or modification. Unless otherwise agreed in writing, such testing or modification is the sole responsibility of the customer and Dialog Semiconductor excludes all liability in this respect.

Customer notes that nothing in this document may be construed as a license for customer to use the Dialog Semiconductor products, software and applications referred to in this document. Such license must be separately sought by customer with Dialog Semiconductor.

All use of Dialog Semiconductor products, software and applications referred to in this document are subject to Dialog Semiconductor's [Standard Terms and Conditions of Sale](http://www.dialog-semiconductor.com), available on the company website (www.dialog-semiconductor.com) unless otherwise stated.

Dialog and the Dialog logo are trademarks of Dialog Semiconductor plc or its subsidiaries. All other product or service names are the property of their respective owners.

© 2019 Dialog Semiconductor. All right reserved.

Contacting Dialog Semiconductor

United Kingdom (Headquarters)

Dialog Semiconductor (UK) LTD
Phone: +44 1793 757700

Germany

Dialog Semiconductor GmbH
Phone: +49 7021 805-0

The Netherlands

Dialog Semiconductor B.V.
Phone: +31 73 640 8822

Email:

enquiry@diasemi.com

North America

Dialog Semiconductor Inc.
Phone: +1 408 845 8500

Japan

Dialog Semiconductor K. K.
Phone: +81 3 5769 5100

Taiwan

Dialog Semiconductor Taiwan
Phone: +886 281 786 222

Web site:

www.dialog-semiconductor.com

Hong Kong

Dialog Semiconductor Hong Kong
Phone: +852 2607 4271

Korea

Dialog Semiconductor Korea
Phone: +82 2 3469 8200

China (Shenzhen)

Dialog Semiconductor China
Phone: +86 755 2981 3669

China (Shanghai)

Dialog Semiconductor China
Phone: +86 21 5424 9058