

Application Note

Incremental Encoder from HDD Motor

AN-CM-221

Abstract

The application note shows how to create incremental encoder from HDD motor using [GreenPAK™](#) CMIC.

This application note comes complete with design files which can be found in the References section.

Incremental Encoder from HDD Motor

Contents

Abstract	1
Contents	2
Figures.....	2
1 Terms and Definitions.....	3
2 References	3
3 Introduction.....	4
4 Brushless DC Motor Theory.....	4
5 GreenPAK Circuit Design Analysis	5
6 Circuit operation.....	6
7 Conclusion	7
Revision History	8

Figures

Figure 1: 12 Tooth BLDC Motor	4
Figure 2: BLDC Motor Coil Placement	5
Figure 3: Design View in GreenPAK Designer.....	5
Figure 4: Encoder Application Circuit	6
Figure 5: Increment Operation	7
Figure 6: Decrement Operation	7

Incremental Encoder from HDD Motor

1 Terms and Definitions

CMIC	Configurable Mixed-Signal Integrated Circuits
HDD	Hard Drive Stepper
BLDC Motor	Brushless DC Motor
CNC	Computer Numerical Control

2 References

For related documents and software, please visit:

<https://www.dialog-semiconductor.com/configurable-mixed-signal>.

Download our free **GreenPAK™** Designer software [1] to open the .gp files [2] and view the proposed circuit design. Use the **GreenPAK** development tools [3] to freeze the design into your own customized IC in a matter of minutes. Dialog Semiconductor provides a complete library of application notes [4] featuring design examples as well as explanations of features and blocks within the Dialog IC.

- [1] [GreenPAK Designer Software](#), Software Download and User Guide, Dialog Semiconductor
- [2] [Incremental Encoder from HDD Motor.gp](#), [GreenPAK Design File](#), Dialog Semiconductor
- [3] [GreenPAK Development Tools](#), [GreenPAK Development Tools Webpage](#), Dialog Semiconductor
- [4] [GreenPAK Application Notes](#), [GreenPAK Application Notes Webpage](#), Dialog Semiconductor
- [5] [SLG46110V](#), Datasheet, Dialog Semiconductor
- [6] [Encoder from HDD Motor](#), YouTube Video, Dialog Semiconductor

Incremental Encoder from HDD Motor

3 Introduction

Encoders are widely used to translate rotary or linear motion into a digital signal. They are useful for monitoring or controlling motion parameters such as speed, rate, direction, distance or position. These parameters are necessary for countless applications that translate motion parameters into information like motor feedback, linear measurement, and X-Y positioning. Encoders can be found everywhere from complex computer numerical control (CNC) machines to computer mice. There are several types of rotary encoders. Absolute and relative (incremental) encoders are the two main types. An absolute encoder outputs a value proportional to the current state, whereas an incremental encoder outputs a change in state and its direction.

To create a reliable, almost unbreakable incremental encoder, an HDD motor designed to operate over thousands of turns can be a good solution. All you need is to connect it to a [GreenPAK CMIC](#).

4 Brushless DC Motor Theory

Any BLDC motor has two primary parts: the rotor, the rotating part; and the stator, the stationary part. Important components of the two parts are the stator windings and the rotor magnets.

In an outer rotor design, the windings are located in the core of the motor. The rotor magnets surround the stator windings (see [Figure 1](#)).



Figure 1: 12 Tooth BLDC Motor

Standard 3-phase circuits take on two major forms with names that represent the way in which the single-phase networks are connected: a Star-connected network, also known as Y-connected, symbolized by the letter Y; and a Delta connected network, symbolized by Δ (delta). In our case we will be looking only at the Star type connection.

Incremental Encoder from HDD Motor

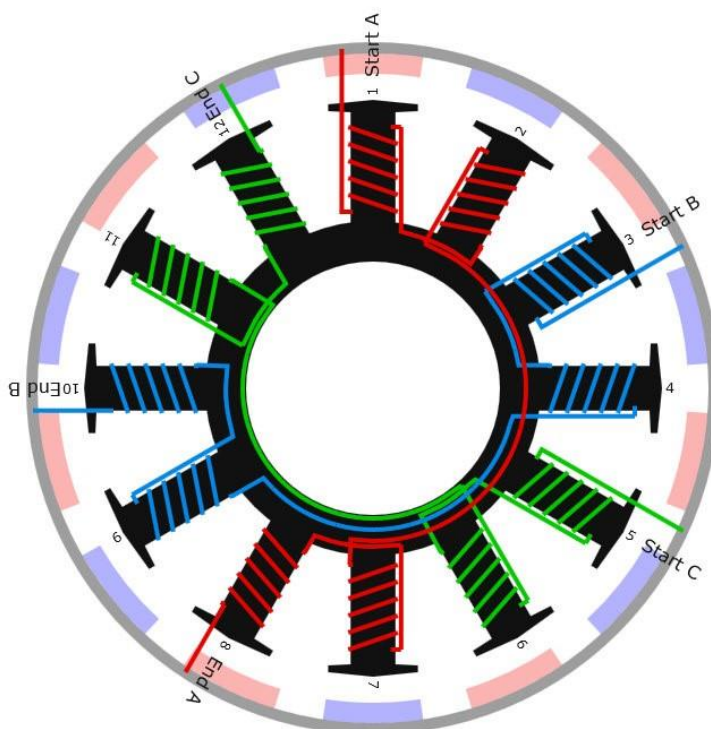


Figure 2: BLDC Motor Coil Placement

5 GreenPAK Circuit Design Analysis

Let's start from the left side of the design shown in Figure 3. We have two analog comparators (ACMPs) connected to the appropriate inputs to monitor voltage on the motor coils. Next, we have two delays (DLYs) configured for both edges to filter any possible noise from the inputs. Two DFFs take on the role of signal sequence dependent switches. To understand this better, note that all design operation is based on a signal race between input Pins 6 (IN#2) and 3 (IN#1). For example, if the signal on the input of ACMP1 reaches the threshold before ACMP0, only DFF2 will be ready to switch to a HIGH state. All we need then is to wait for the HIGH signal from ACMP0's output, and vice versa. Thus, we will have pulses on Pin10 (Increment) or Pin12 (Decrement). From that point, we have an operational rotation encoder.

As you can see in Figure 3, PIN9 is named Buzzer. Each time a pulse appears on DFF2 or DFF3, cells PDLY and CNT3 / DLY3 generate a 1 ms pulse for a BPT-14 model piezo sound transducer. This creates a soft clicking sound while the encoder is rotating and helps the user to understand how much the encoder was rotated.

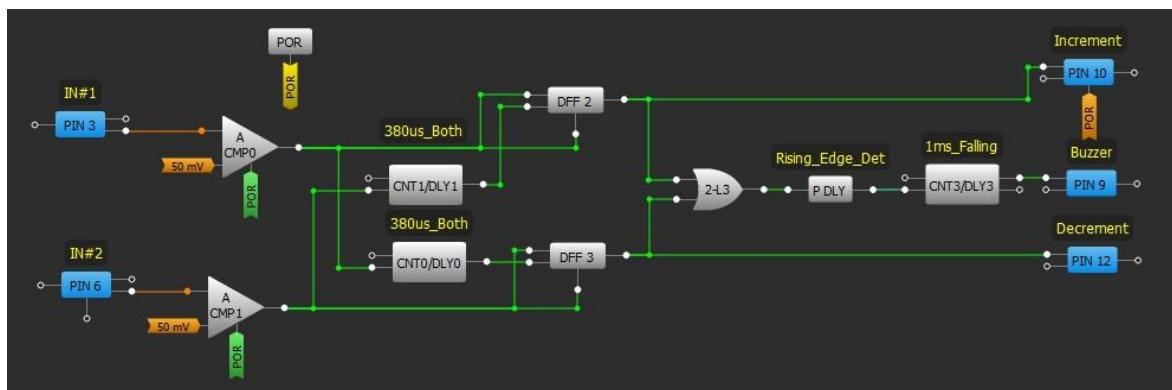


Figure 3: Design View in GreenPAK Designer

Incremental Encoder from HDD Motor

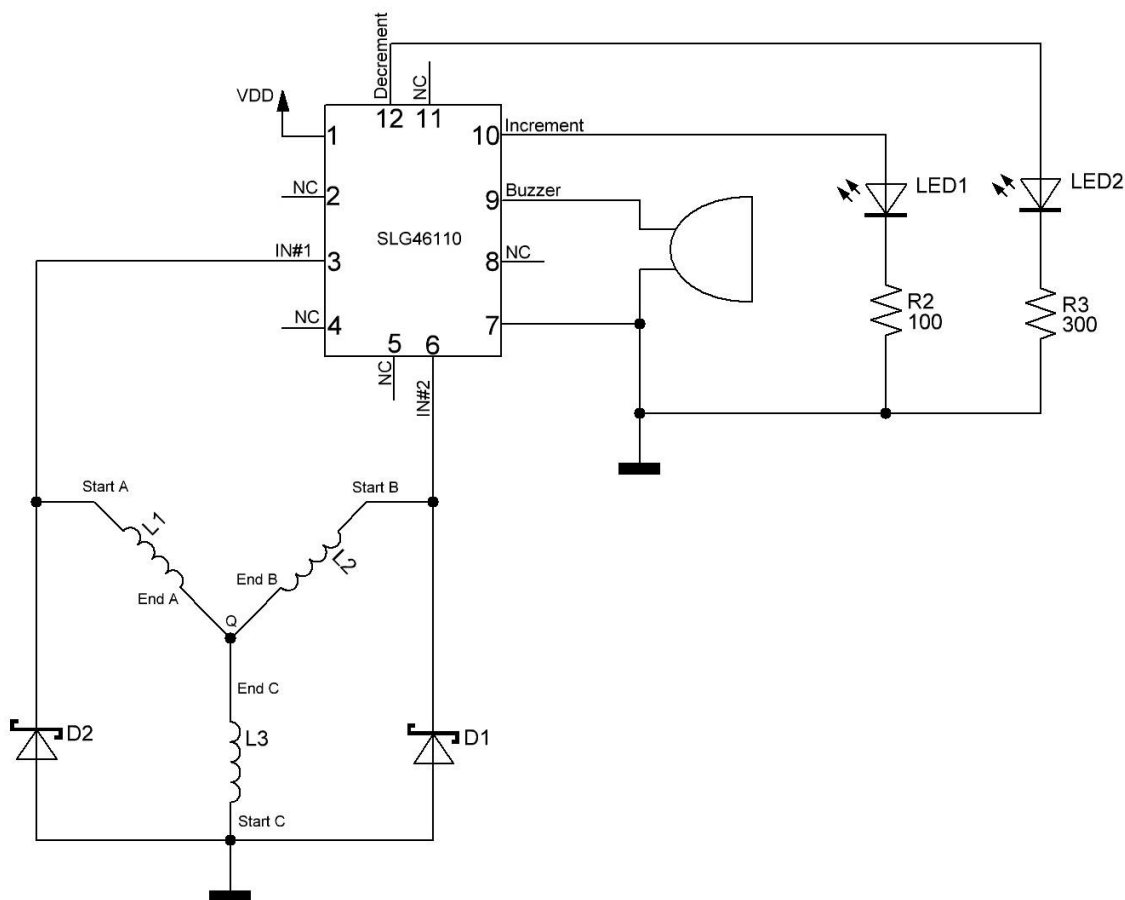


Figure 4: Encoder Application Circuit

6 Circuit operation

In Figure 4 you can see the way the coils are connected. We use two Schottky diodes, D1 and D2, to limit negative (relative to GND) voltage phase. To define the Pinout of the HDD motor you can simply measure coil resistance with a multimeter. To properly connect the motor to the GreenPAK CMIC as shown in Figure 4, we measured the resistance between coils until we found 3 separate coils (1.9 Ω in our case) and the common point “Q”.

The functionality waveform of a real HDD motor encoder circuit created in GreenPAK Designer is shown in Figure 5 and Figure 6, in which Channel1 (yellow / top line) – PIN3 (IN#1), Channel2 (light blue / 2nd line) – Pin6 (IN#2), Channel3 (magenta / 3rd line) – Pin10 (Increment), Channel4 (blue / bottom line) – Pin12 (Decrement). As can be seen in Figure 5 and Figure 6, we can easily define which output channel to toggle by the sequence of input Pins 3 (IN#1) and 6 (IN#2).

Incremental Encoder from HDD Motor

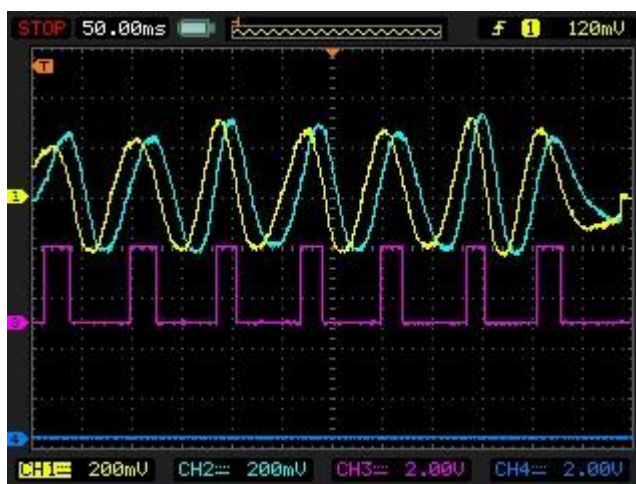


Figure 5: Increment Operation

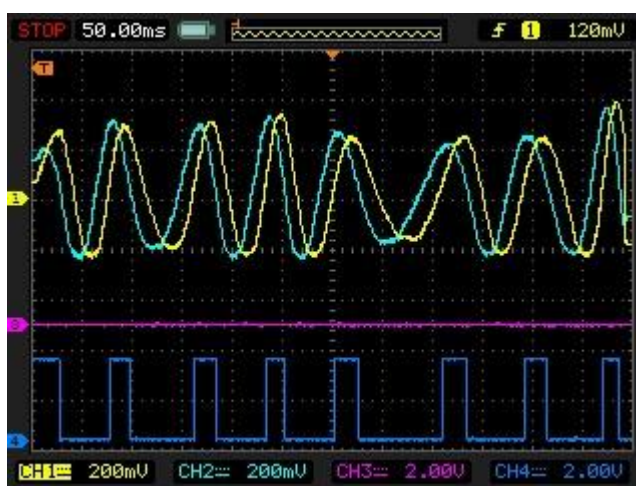


Figure 6: Decrement Operation

7 Conclusion

GreenPAK CMIC's are readily suitable for this application because of their low current consumption, small package size, and flexibility in operation. The benefit of such an encoder is its reliability because of the absence of direct electrical contact. Its operation is very similar to an optical encoder except that the motor will give some threshold in speed of rotation to start detecting a useful signal.

Note: for proper circuit operation, do not forget to configure the input and output Pins correctly. As shown in the schematic, Pins 3 and 6 inputs are to be configured as Analog input and all outputs as 2x Push Pull with the largest possible current drive mode.

Incremental Encoder from HDD Motor

Revision History

Revision	Date	Description
1.0	26-Feb-2018	Initial version.

Incremental Encoder from HDD Motor

Status Definitions

Status	Definition
DRAFT	The content of this document is under review and subject to formal approval, which may result in modifications or additions.
APPROVED or unmarked	The content of this document has been approved for publication.

Disclaimer

Information in this document is believed to be accurate and reliable. However, Dialog Semiconductor does not give any representations or warranties, expressed or implied, as to the accuracy or completeness of such information. Dialog Semiconductor furthermore takes no responsibility whatsoever for the content in this document if provided by any information source outside of Dialog Semiconductor.

Dialog Semiconductor reserves the right to change without notice the information published in this document, including without limitation the specification and the design of the related semiconductor products, software and applications.

Applications, software, and semiconductor products described in this document are for illustrative purposes only. Dialog Semiconductor makes no representation or warranty that such applications, software and semiconductor products will be suitable for the specified use without further testing or modification. Unless otherwise agreed in writing, such testing or modification is the sole responsibility of the customer and Dialog Semiconductor excludes all liability in this respect.

Customer notes that nothing in this document may be construed as a license for customer to use the Dialog Semiconductor products, software and applications referred to in this document. Such license must be separately sought by customer with Dialog Semiconductor.

All use of Dialog Semiconductor products, software and applications referred to in this document are subject to Dialog Semiconductor's [Standard Terms and Conditions of Sale](#), available on the company website (www.dialog-semiconductor.com) unless otherwise stated.

Dialog and the Dialog logo are trademarks of Dialog Semiconductor plc or its subsidiaries. All other product or service names are the property of their respective owners.

© 2018 Dialog Semiconductor. All rights reserved.

Contacting Dialog Semiconductor

United Kingdom (Headquarters)

Dialog Semiconductor (UK) LTD
Phone: +44 1793 757700

Germany

Dialog Semiconductor GmbH
Phone: +49 7021 805-0

The Netherlands

Dialog Semiconductor B.V.
Phone: +31 73 640 8822

Email:

enquiry@diasemi.com

North America

Dialog Semiconductor Inc.
Phone: +1 408 845 8500

Japan

Dialog Semiconductor K. K.
Phone: +81 3 5769 5100

Taiwan

Dialog Semiconductor Taiwan
Phone: +886 281 786 222

Web site:

www.dialog-semiconductor.com

Hong Kong

Dialog Semiconductor Hong Kong
Phone: +852 2607 4271

Korea

Dialog Semiconductor Korea
Phone: +82 2 3469 8200

China (Shenzhen)

Dialog Semiconductor China
Phone: +86 755 2981 3669

China (Shanghai)

Dialog Semiconductor China
Phone: +86 21 5424 9058