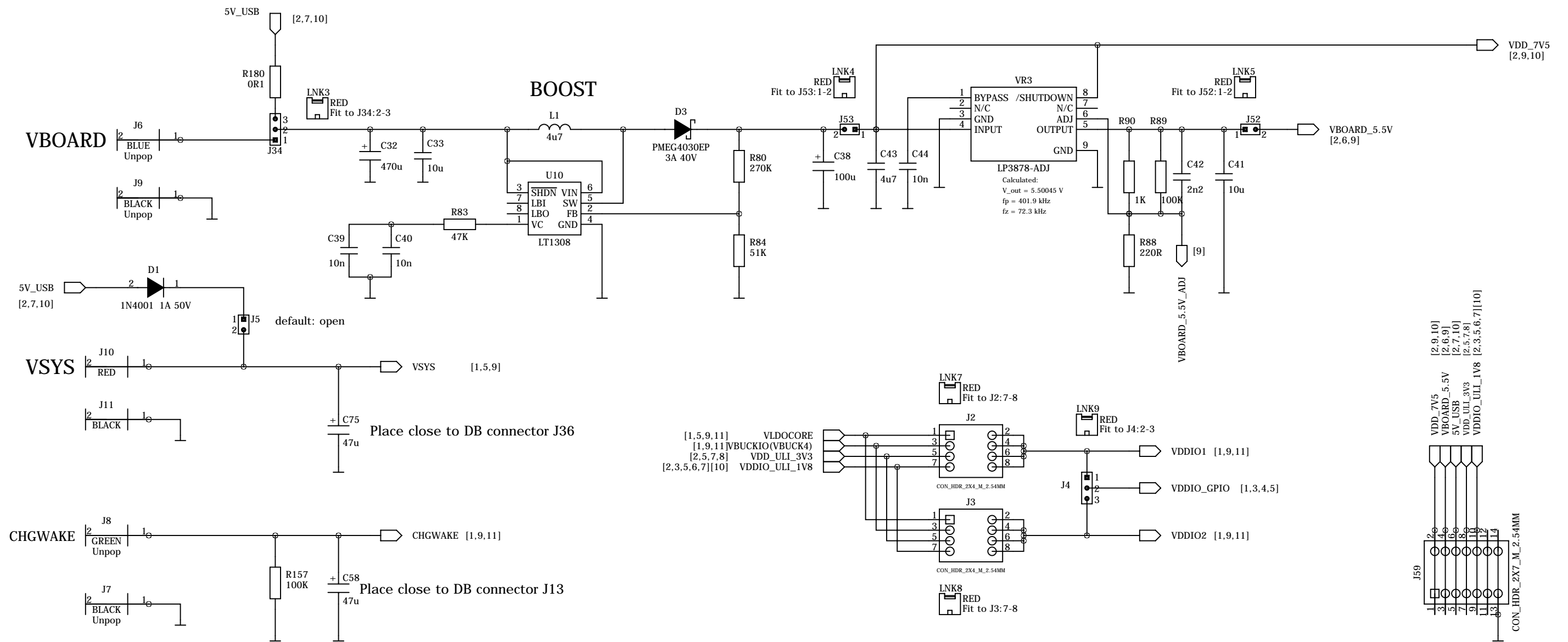
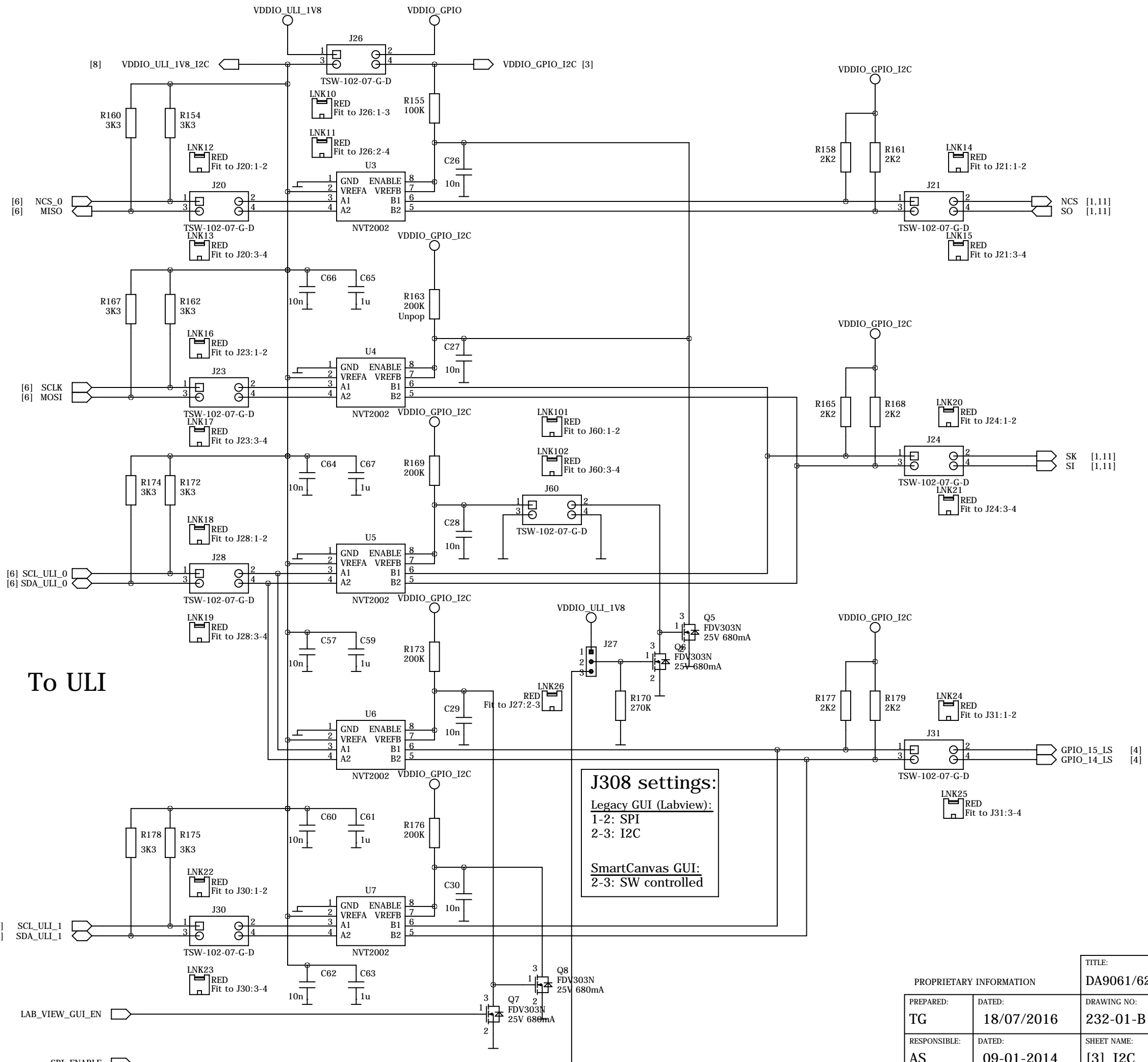


PROPRIETARY INFORMATION		TITLE: DA9061/62/63 MotherBoard 232-01-B1	
PREPARED: TG	DATED: 18/07/2016	DRAWING NO: 232-01-B	REV: 3
RESPONSIBLE: AS	DATED: 09-01-2014	SHEET NAME: [1]_BOARD_IF_HEADERS	



PROPRIETARY INFORMATION		TITLE: DA9061/62/63 MotherBoard 232-01-B1	
PREPARED: TG	DATED: 18/07/2016	DRAWING NO: 232-01-B	REV: 3
RESPONSIBLE: AS	DATED: 09-01-2014	SHEET NAME: [2]_PWR_IN	PAGE: 2 OF 12





To DUT

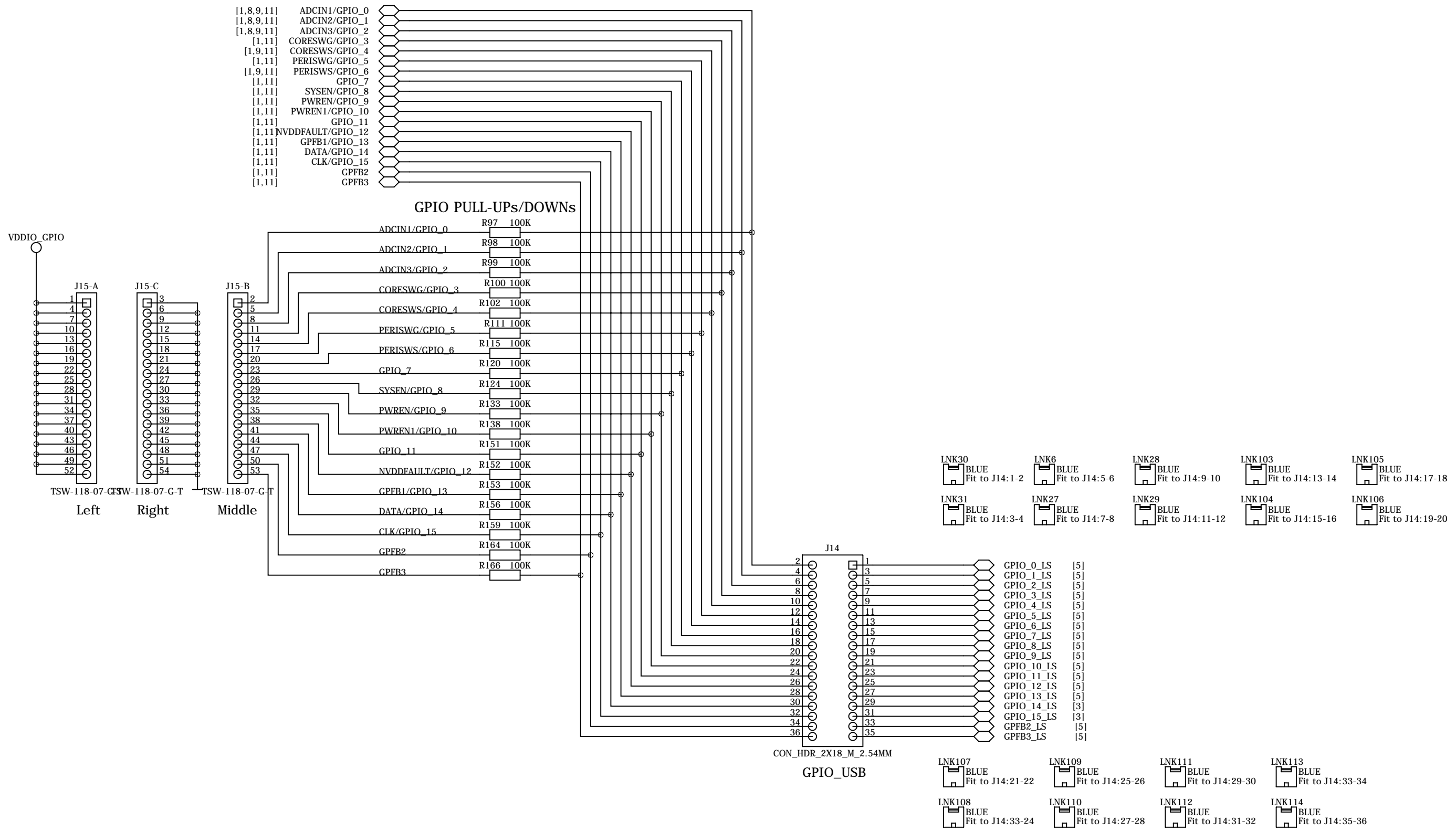
To ULI

J308 settings:
Legacy GUI (Labview):
 1-2: SPI
 2-3: I2C
SmartCanvas GUI:
 2-3: SW controlled

SCHEMATIC TEMPLATE REV PA2 (November 30, 2011) DIALOG DOCUMENT NUMBER 31-902-03

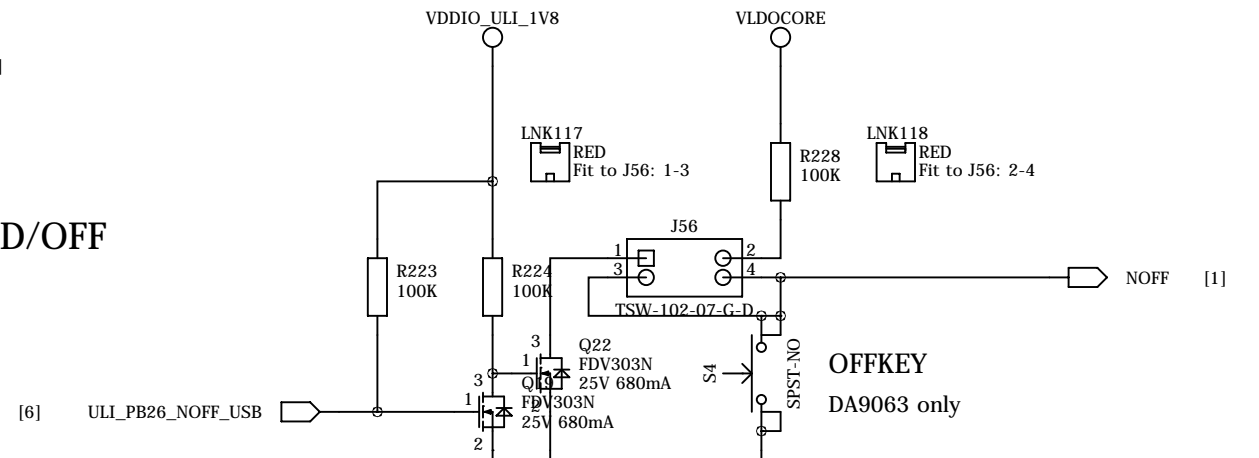
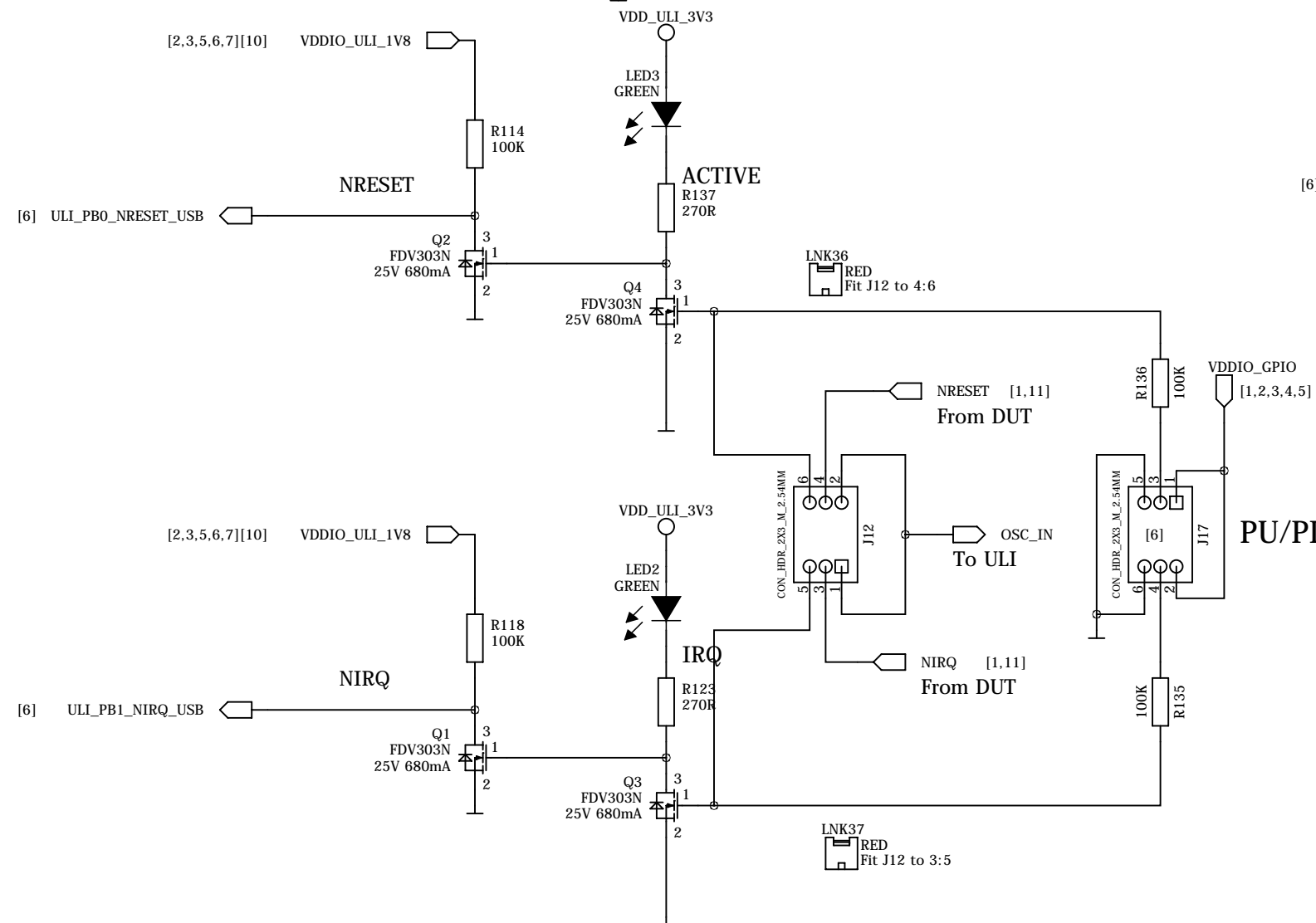
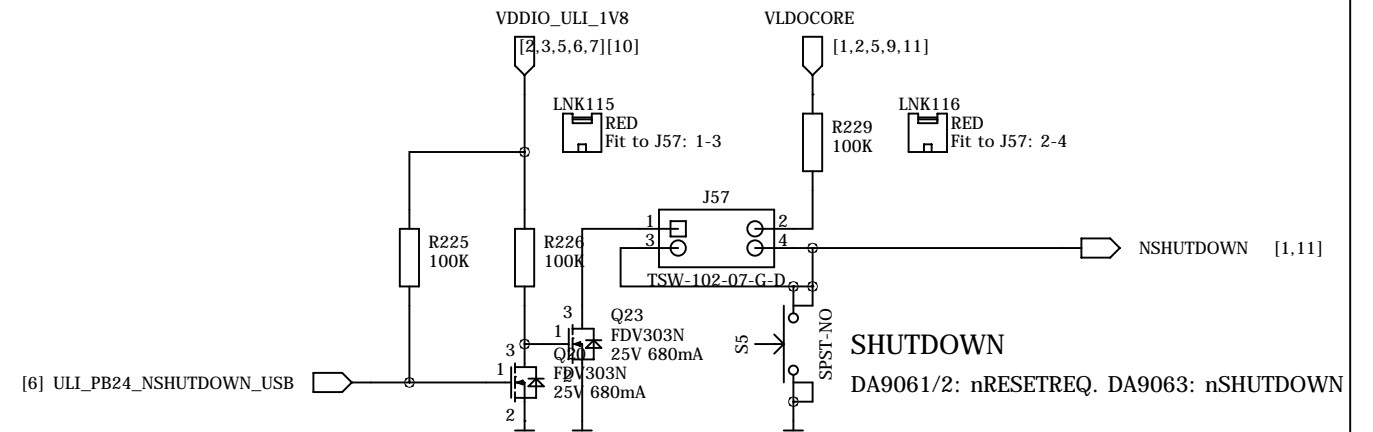
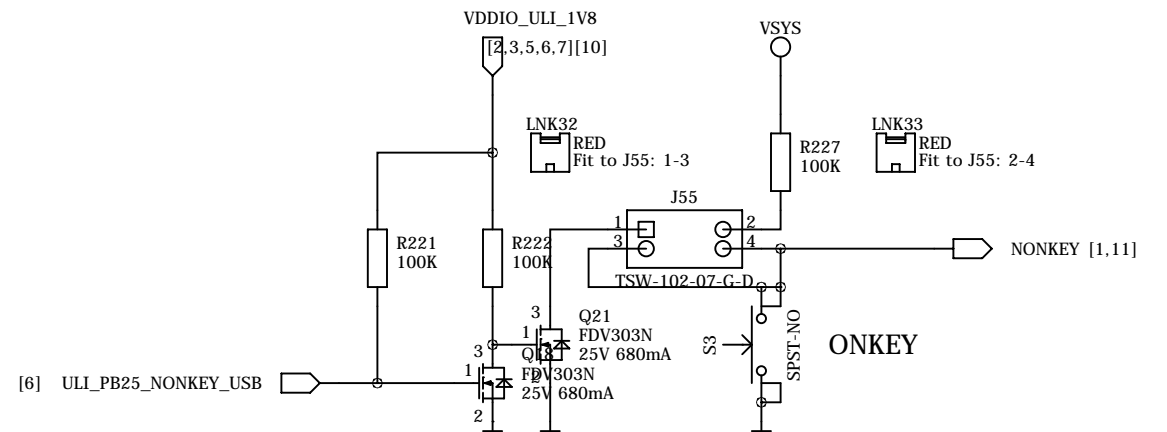
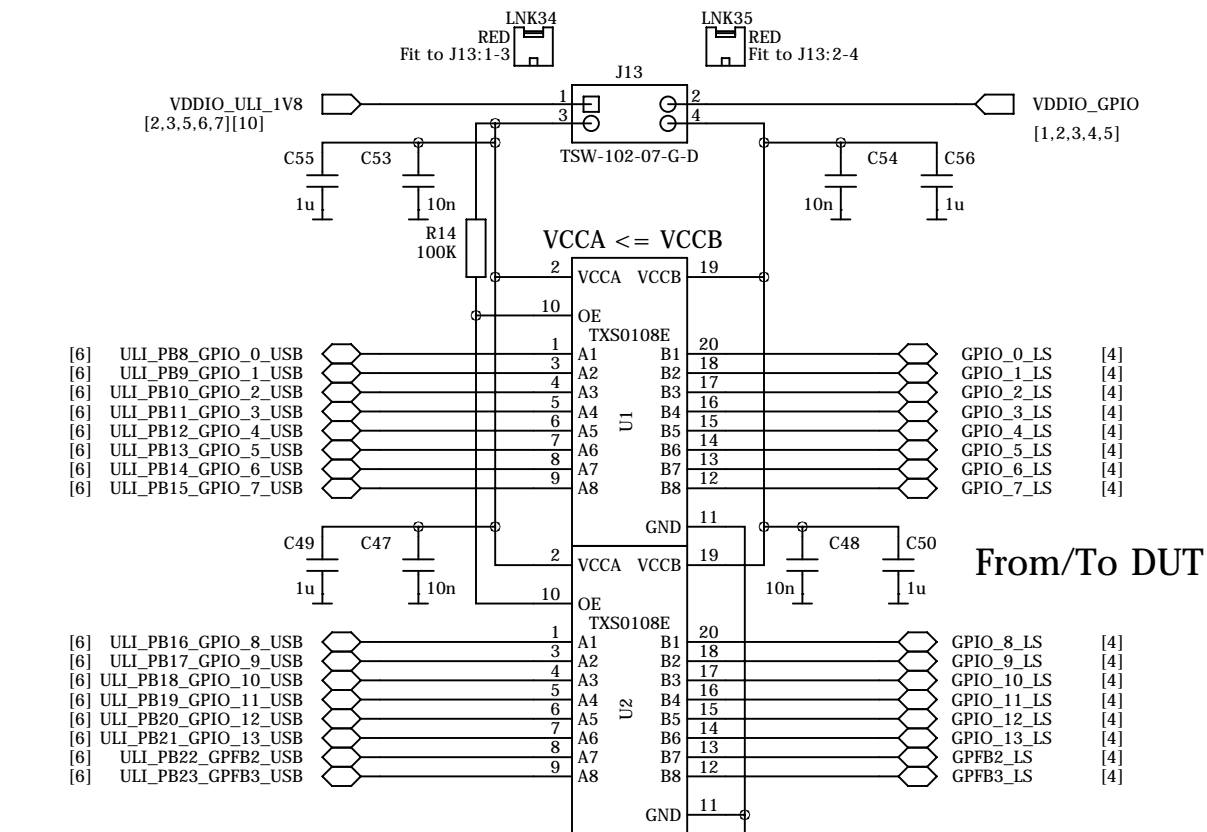
PROPRIETARY INFORMATION		TITLE: DA9061/62/63 MotherBoard 232-01-B1	
PREPARED: TG	DATED: 18/07/2016	DRAWING NO: 232-01-B	REV: 3
RESPONSIBLE: AS	DATED: 09-01-2014	SHEET NAME: [3]_I2C	PAGE: 3 OF 12





PROPRIETARY INFORMATION		TITLE: DA9061/62/63 MotherBoard 232-01-B1	
PREPARED: TG	DATED: 18/07/2016	DRAWING NO: 232-01-B	REV: 3
RESPONSIBLE: AS	DATED: 09-01-2014	SHEET NAME: [4]_GPIO_LS	
			PAGE: 4 OF 12

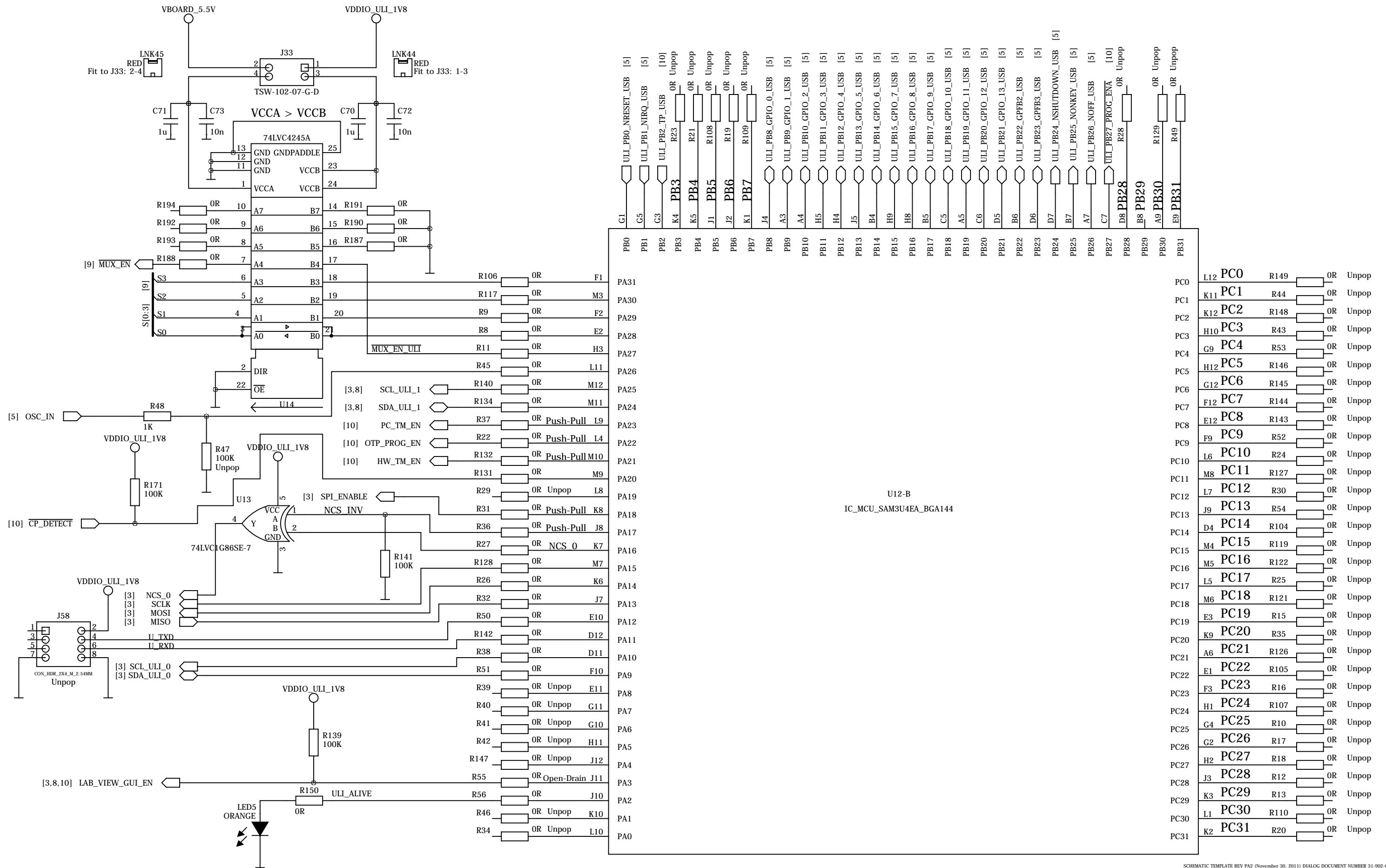




SCHMATIC TEMPLATE REV PA2 (November 30, 2011) DIALOG DOCUMENT NUMBER 31-902-03

PROPRIETARY INFORMATION		TITLE: DA9061/62/63 MotherBoard 232-01-B1	
PREPARED: TG	DATED: 18/07/2016	DRAWING NO: 232-01-B	REV: 3
RESPONSIBLE: AS	DATED: 09-01-2014	SHEET NAME: [5]_ULI_LEVEL_SHIFTER	

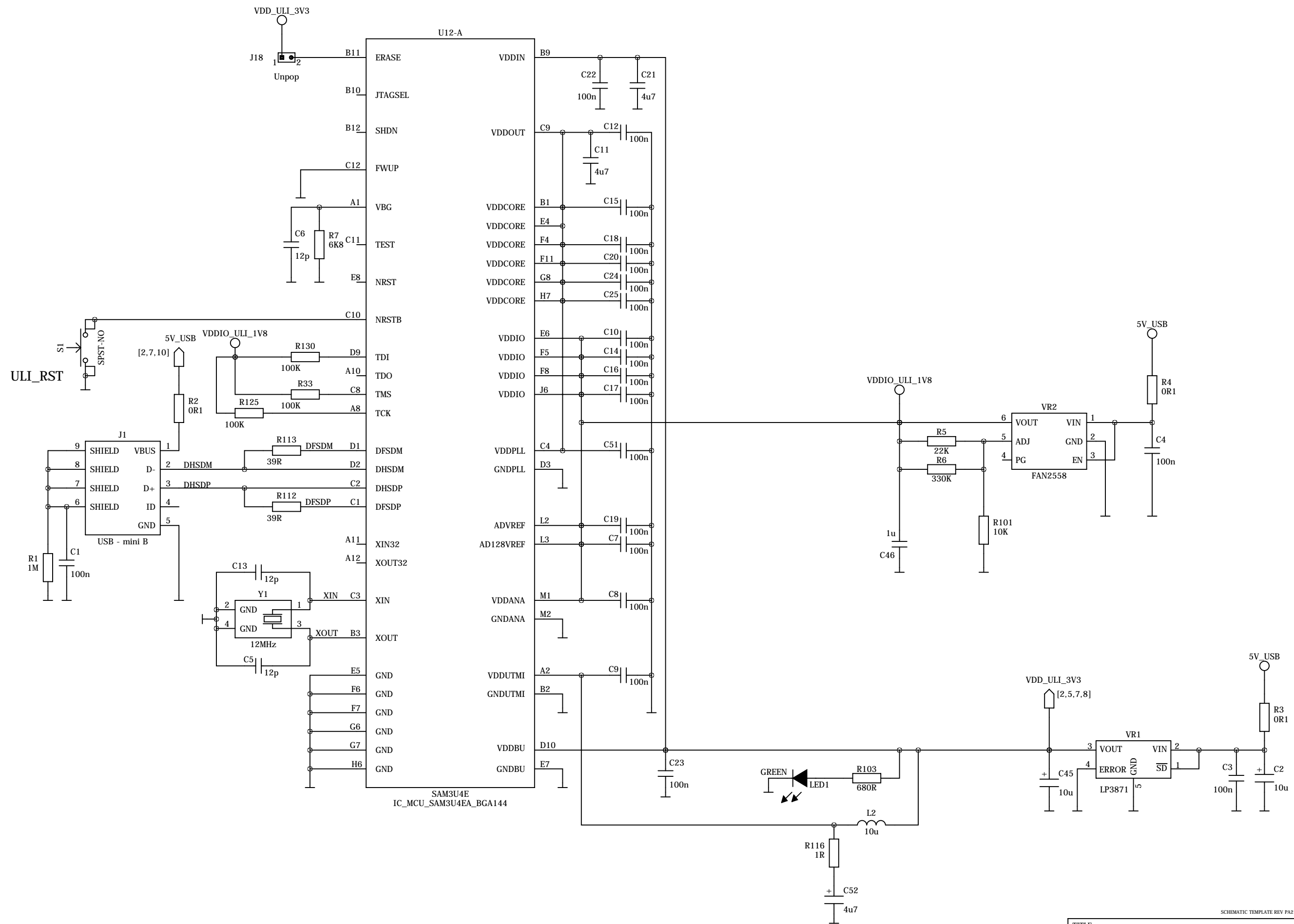
	PAGE: 5 OF 12
--	------------------



SCHEMATIC TEMPLATE REV PA2 (November 30, 2011) DIALOG DOCUMENT NUMBER 31-902-03

PROPRIETARY INFORMATION		TITLE: DA9061/62/63 MotherBoard 232-01-B1	
PREPARED: TG	DATED: 18/07/2016	DRAWING NO: 232-01-B	REV: 3
RESPONSIBLE: AS	DATED: 09-01-2014	SHEET NAME: [6]_ULI_1	PAGE: 6 OF 12

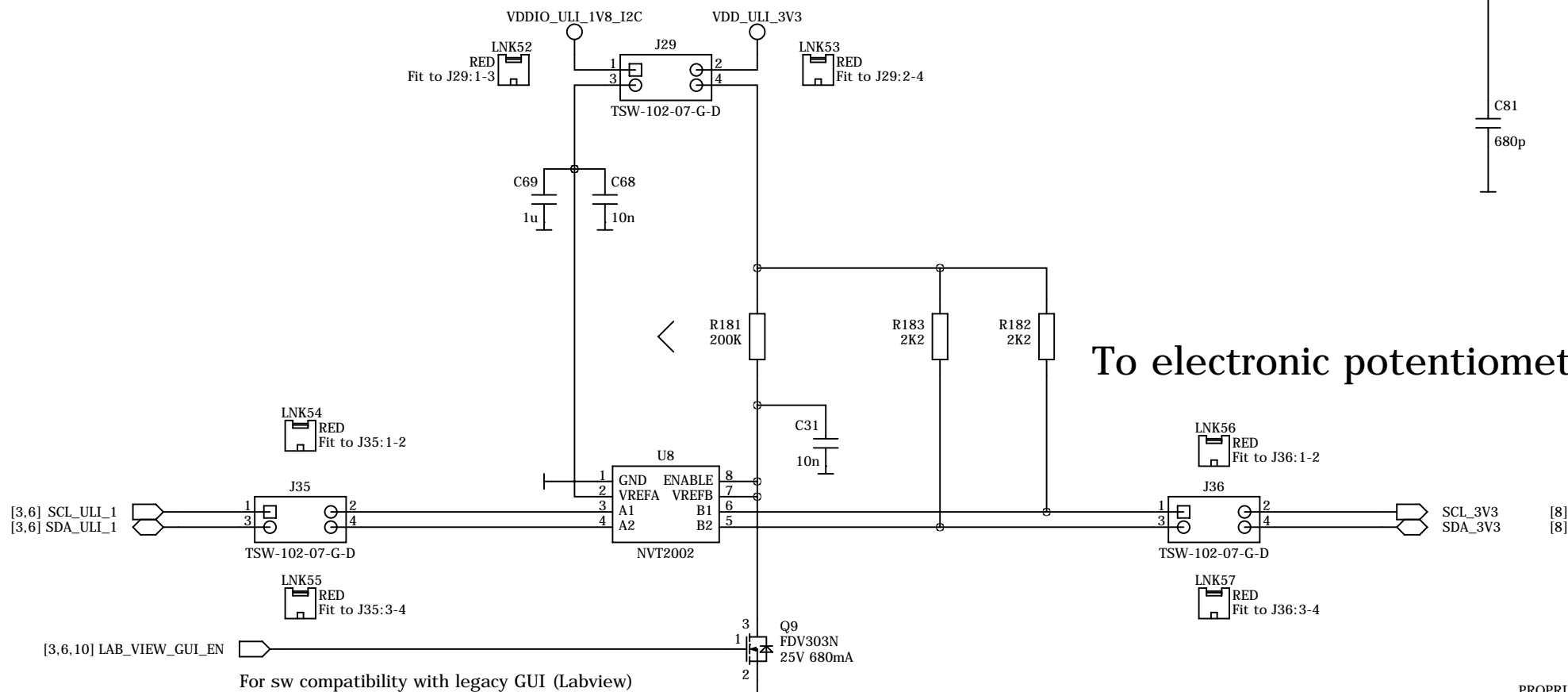
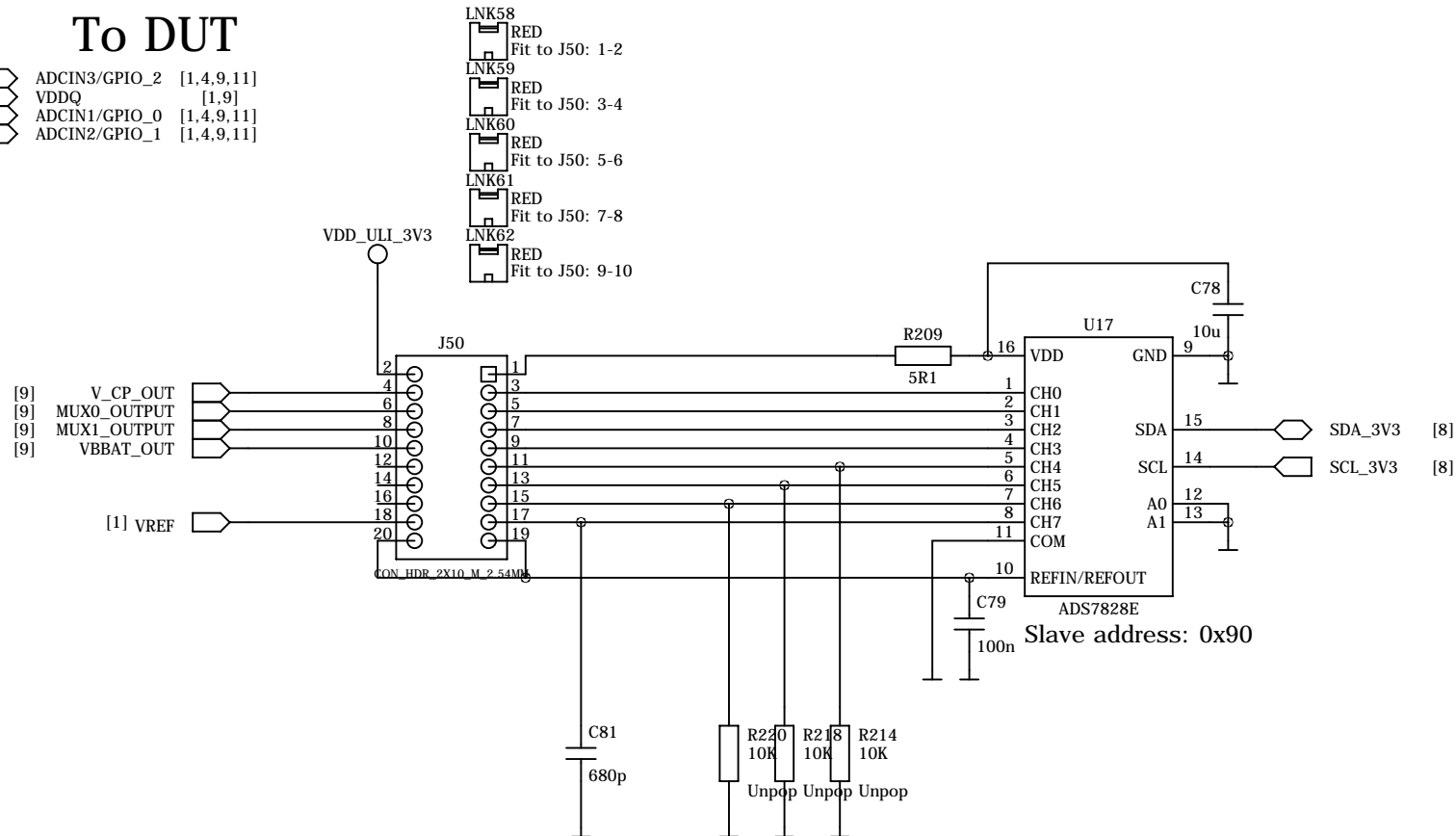
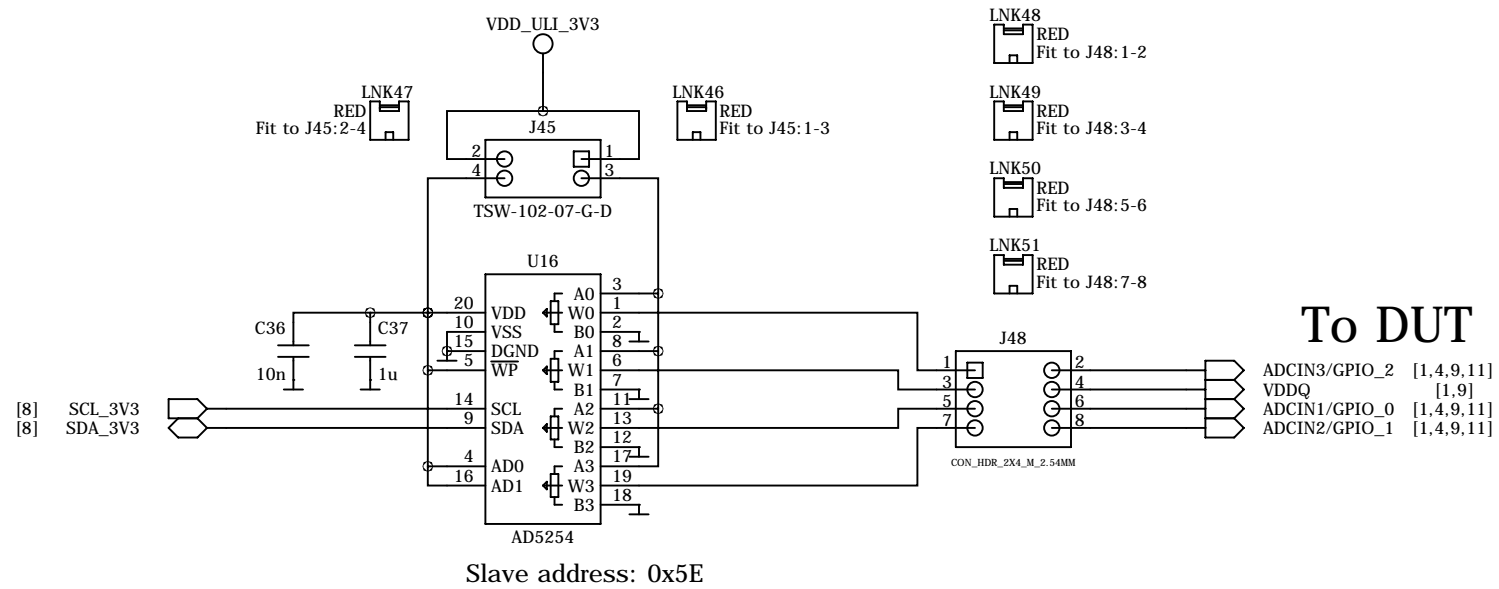




SCHEMATIC TEMPLATE REV PA2 (November 30, 2011) DIALOG DOCUMENT NUMBER 31-902-03

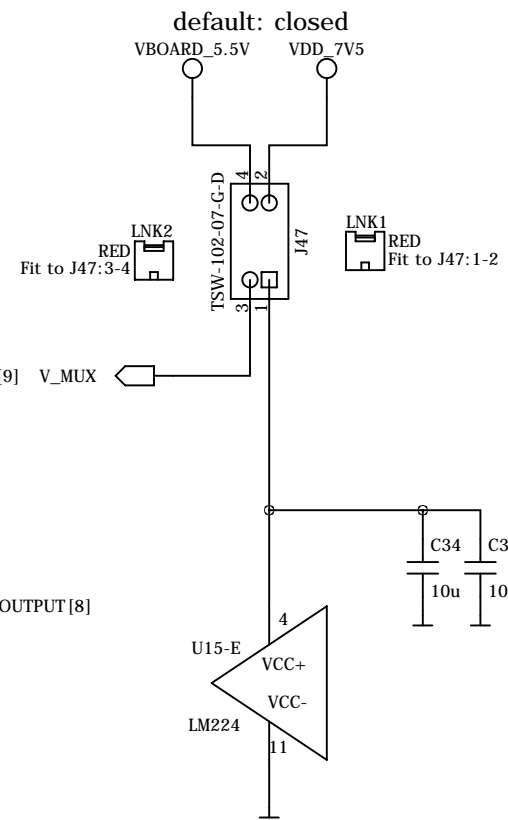
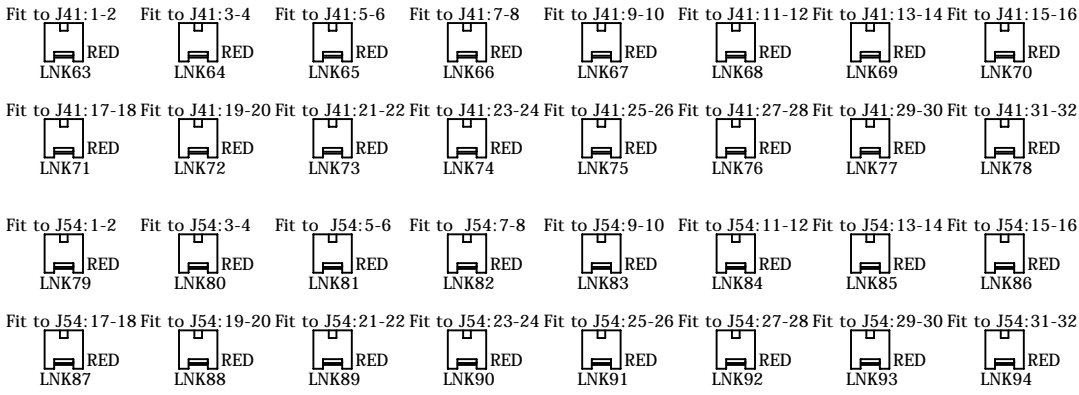
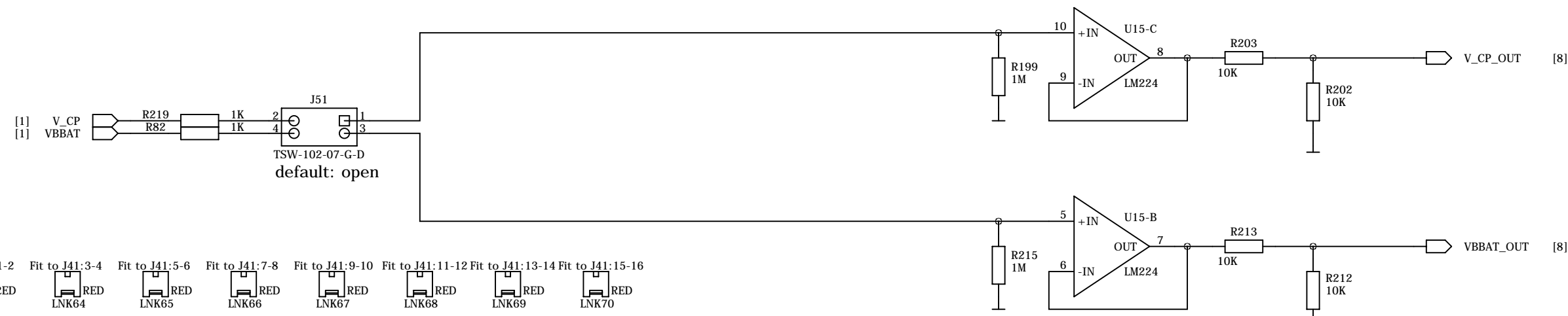
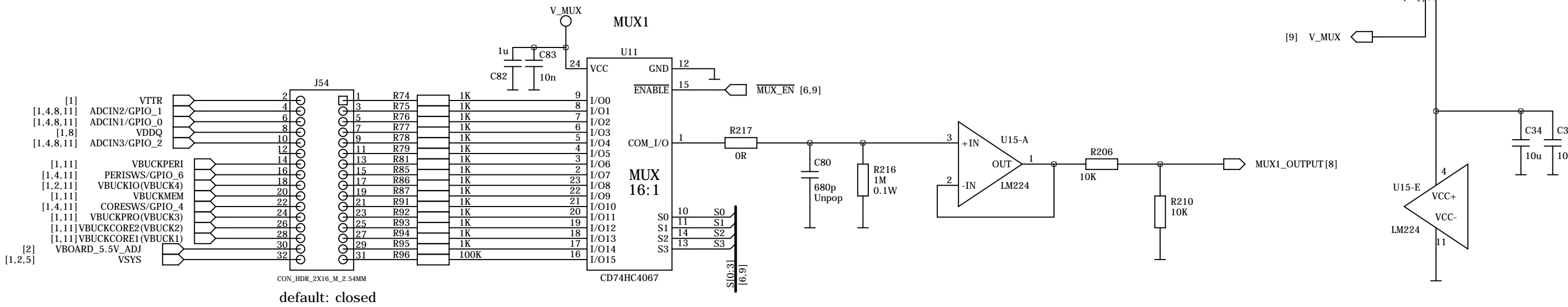
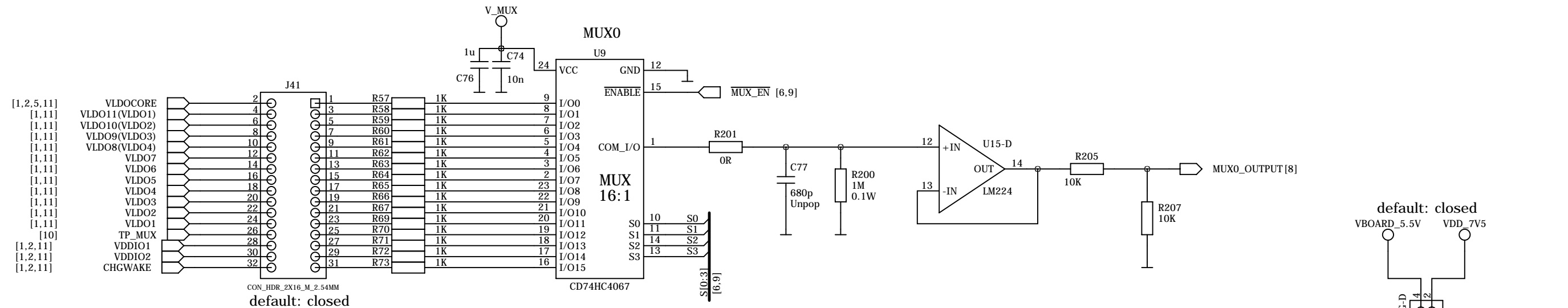
PROPRIETARY INFORMATION		TITLE: DA9061/62/63 MotherBoard 232-01-B1	
PREPARED: TG	DATED: 18/07/2016	DRAWING NO: 232-01-B	REV: 3
RESPONSIBLE: AS	DATED: 09-01-2014	SHEET NAME: [7]_ULI_2	
			PAGE: 7 OF 12





PROPRIETARY INFORMATION		TITLE: DA9061/62/63 MotherBoard 232-01-B1	
PREPARED: TG	DATED: 18/07/2016	DRAWING NO: 232-01-B	REV: 3
RESPONSIBLE: AS	DATED: 09-01-2014	SHEET NAME: [8]_ANALOG_IO	PAGE: 8 OF 12

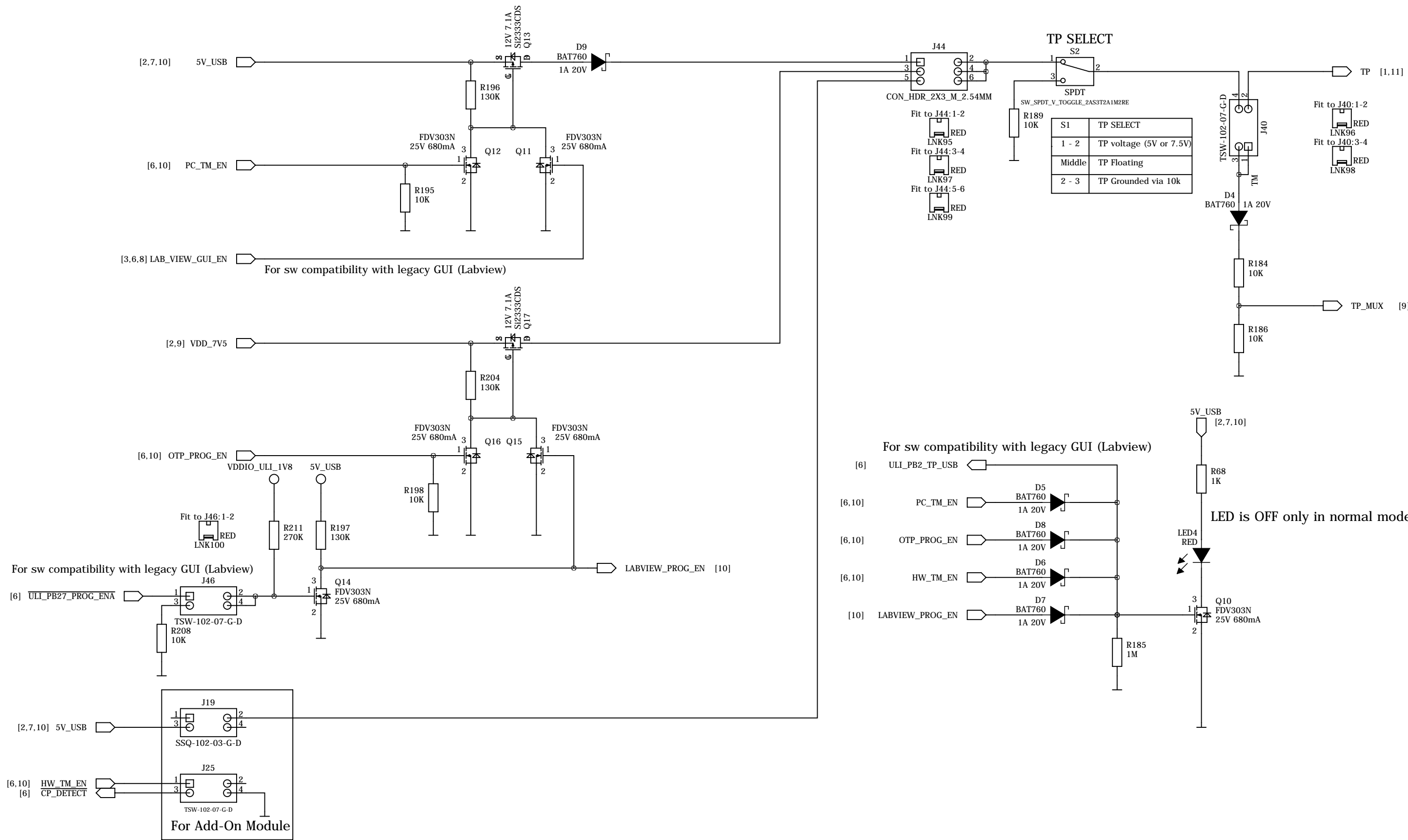




SCHMATIC TEMPLATE REV PA2 (November 30, 2011) DIALOG DOCUMENT NUMBER 31-902-03

PROPRIETARY INFORMATION		TITLE: DA9061/62/63 MotherBoard 232-01-B1	
PREPARED: TG	DATED: 18/07/2016	DRAWING NO: 232-01-B	REV: 3
RESPONSIBLE: AS	DATED: 09-01-2014	SHEET NAME: [9]_MUX_ADC	PAGE: 9 OF 12





PROPRIETARY INFORMATION		TITLE: DA9061/62/63 MotherBoard 232-01-B1	
PREPARED: TG	DATED: 18/07/2016	DRAWING NO: 232-01-B	REV: 3
RESPONSIBLE: AS	DATED: 09-01-2014	SHEET NAME: [10]_PC_MODE	PAGE: 10 OF 12



LOAD

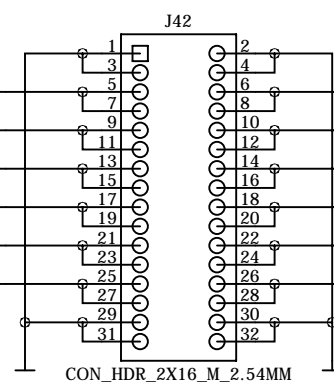
SENSE

Silkscreen:
DA9063

Silkscreen:

VBUCKCORE2 [1,9,11]
VBUCKCORE1 [1,9,11]
[1,9]
VBUCKIO [1,2,9,11]
[1,9]
VBUCKPRO [1,9,11]

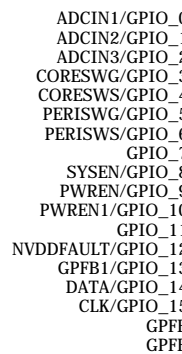
VBUCKCORE2(VBUCK2)
VBUCKCORE1(VBUCK1)
VBUCKPERI
VBUCKIO(VBUCK4)
VBUCKMEM
VBUCKPRO(VBUCK3)



VBUCKCORE2_S(VBUCK2_S) [1,11]
VBUCKCORE1_S(VBUCK1_S) [1,11]
VBUCKPERI_S [1]
VBUCKIO_S(VBUCK4_S) [1,11]
VBUCKMEM_S [1]
VBUCKPRO_S(VBUCK3_S) [1,11]

Silkscreen:

[1,4,8,9] ADCIN1/GPIO_0
[1,4,8,9] ADCIN2/GPIO_1
[1,4,8,9] ADCIN3/GPIO_2
[1,4] CORESWG/GPIO_3
[1,4,9] CORESWG/GPIO_4
[1,4] PERISWG/GPIO_5
[1,4,9] PERISWG/GPIO_6
[1,4] GPIO_7
[1,4] SYSEN/GPIO_8
[1,4] PWREN1/GPIO_9
[1,4] PWREN1/GPIO_10
[1,4] GPIO_11
[1,4] NVDDFAULT/GPIO_12
[1,4] GPFB1/GPIO_13
[1,4] DATA/GPIO_14
[1,4] CLK/GPIO_15
[1,4] GPFB2
[1,4] GPFB3

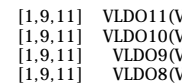


VLD01 [1,9,11]
VLD02 [1,9,11]
VLD03 [1,9,11]
VLD04 [1,9,11]

Silkscreen:
DA9061/2

Silkscreen:

VLD01 [1,9,11]
VLD02 [1,9,11]
VLD03 [1,9,11]
VLD04 [1,9,11]



LOAD

SENSE

Silkscreen:

VLD011(VLDO1)
VLD010(VLDO2)
VLD09(VLDO3)
VLD08(VLDO4)



VLD011_S(VLDO1_S) [1,11]
VLD010_S(VLDO2_S) [1,11]
VLD09_S(VLDO3_S) [1,11]
VLD08_S(VLDO4_S) [1,11]

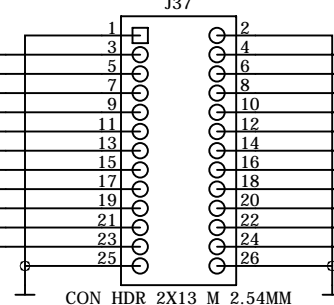
VLD01_S [1,11]
VLD02_S [1,11]
VLD03_S [1,11]
VLD04_S [1,11]

Silkscreen:
DA9063

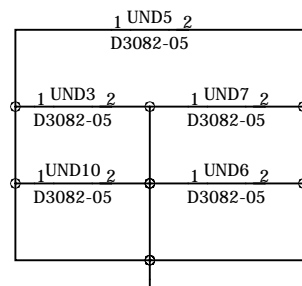
Silkscreen:

VLD011 [1,9,11]
VLD010 [1,9,11]
VLD09 [1,9,11]
VLD08 [1,9,11]
[1,9]
[1,9]
[1,9]
[1,9]
[1,9]
[1,9]
[1,9]
[1,9]

VLD011(VLDO1)
VLD010(VLDO2)
VLD09(VLDO3)
VLD08(VLDO4)
VLD07
VLD06
VLD05
VLD04
VLD03
VLD02
VLD01

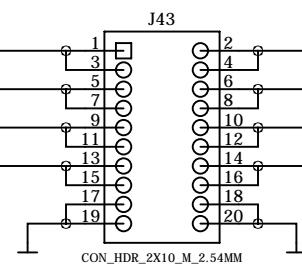


VLD011_S(VLDO1_S) [1,11]
VLD010_S(VLDO2_S) [1,11]
VLD09_S(VLDO3_S) [1,11]
VLD08_S(VLDO4_S) [1,11]
VLD07_S [1]
VLD06_S [1]
VLD05_S [1]
VLD04_S [1]
VLD03_S [1]
VLD02_S [1]
VLD01_S [1]



VBUCK2 [1,9,11]
VBUCK1 [1,9,11]
VBUCK4 [1,2,9,11]
VBUCK3 [1,9,11]

VBUCKCORE2(VBUCK2)
VBUCKCORE1(VBUCK1)
VBUCKIO(VBUCK4)
VBUCKPRO(VBUCK3)



VBUCKCORE2_S(VBUCK2_S) [1,11]
VBUCKCORE1_S(VBUCK1_S) [1,11]
VBUCKIO_S(VBUCK4_S) [1,11]
VBUCKPRO_S(VBUCK3_S) [1,11]

VBUCK2_S
VBUCK1_S
VBUCK4_S
VBUCK3_S

PROPRIETARY INFORMATION		TITLE: DA9061/62/63 MotherBoard 232-01-B1		
PREPARED: TG	DATED: 18/07/2016	DRAWING NO: 232-01-B	REV: 3	
RESPONSIBLE: AS	DATED: 09-01-2014	SHEET NAME: [11]_PIMIC_HEADERS		PAGE: 11 OF 12

REV	DATE	ENGINEER	NOTES
B2	04/02/2015	T Graham	First revision for customer release. Layout revision is 232-01-B
B3	18/07/2016	T Graham	Changed note regarding Python/SmartCanvas. No hardware changes.

Mechanical



SCHEMATIC TEMPLATE REV PA2 (November 30, 2011) DIALOG DOCUMENT NUMBER 31-902-03

PROPRIETARY INFORMATION		TITLE: DA9061/62/63 MotherBoard 232-01-B1		
PREPARED: TG	DATED: 18/07/2016	DRAWING NO: 232-01-B	REV: 3	
RESPONSIBLE: AS	DATED: 09-01-2014	SHEET NAME: [12]_MECHANICAL		PAGE: 12 OF 12