

# Application Note

## DC-DC Over-Current Protection

### AN-CM-293

#### **Abstract**

*This application note is a user guide, which explains how to use the SLG46585 DC/DC OCP feature if output voltage is 3 V or 3.3 V.*

*This application note comes complete with design files which can be found in the References section.*

---

---

---

**DC-DC Over-Current Protection**

---

**Contents**

<b>Abstract</b> .....	<b>1</b>
<b>Contents</b> .....	<b>2</b>
<b>Figures</b> .....	<b>2</b>
<b>1 Terms and Definitions</b> .....	<b>3</b>
<b>2 References</b> .....	<b>3</b>
<b>3 Background</b> .....	<b>4</b>
<b>4 Conclusion</b> .....	<b>8</b>
<b>Revision History</b> .....	<b>8</b>

**Figures**

Figure 1: Circuit .....	4
Figure 2: DC/DC Stuck .....	5
Figure 3: Circuit of the Design .....	5
Figure 4: Timing Diagram of Design Functionality .....	6
Figure 5: The Design Functionality.....	7
Figure 6: Zoomed the Design Functionality.....	7

---

## DC-DC Over-Current Protection

### 1 Terms and Definitions

DC/DC	direct current to direct current
OCP	over current protection
DLY	delay
CNT	counter
MOSFET	metal-oxide-semiconductor field-effect transistor

### 2 References

For related documents and software, please visit:

<https://www.dialog-semiconductor.com/products/greenpak>.

Download our free **GreenPAK™** Designer software [1] to open the .gp files [2] and view the proposed circuit design. Use the **GreenPAK** development tools [3] to freeze the design into your own customized IC in a matter of minutes. Dialog Semiconductor provides a complete library of application notes [4] featuring design examples as well as explanations of features and blocks within the Dialog IC.

- [1] [GreenPAK Designer Software](#), Software Download and User Guide, Dialog Semiconductor
- [2] [AN-CM-293 DC-DC Over-Current Protection.gp](#), **GreenPAK** Design File, Dialog Semiconductor
- [3] [GreenPAK Development Tools](#), **GreenPAK** Development Tools Webpage, Dialog Semiconductor
- [4] [GreenPAK Application Notes](#), **GreenPAK** Application Notes Webpage, Dialog Semiconductor

Author: Ivan Vaskiv

DC-DC Over-Current Protection

3 Background

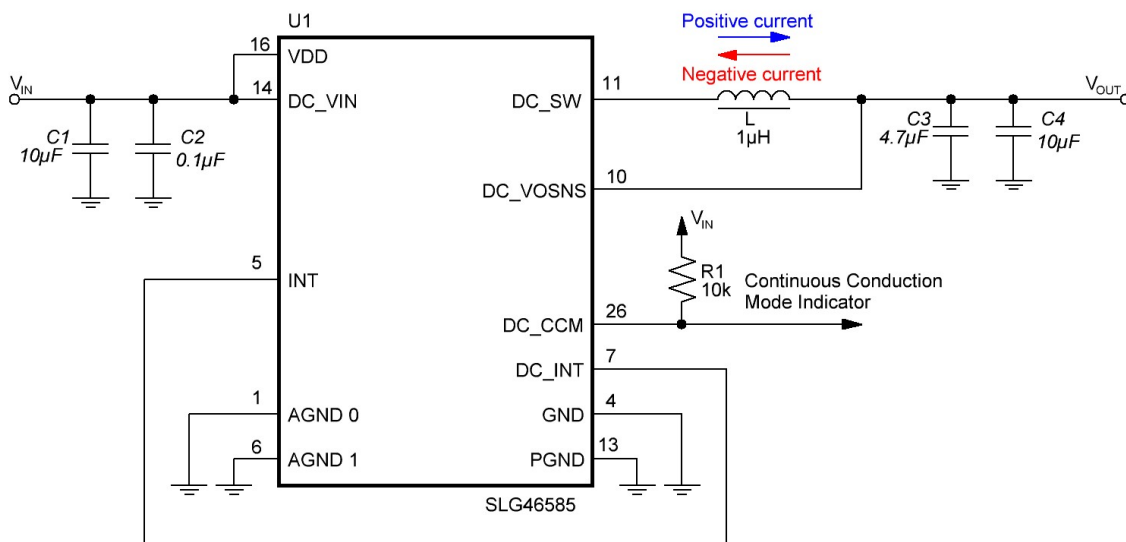


Figure 1: Circuit

When output voltage of DC/DC is 3 V or 3.3 V and the over current protection feature is enabled, there is a specific application circuit that is recommended. During operation, if the inductor current exceeds the OCP threshold, then internally, a high side MOSFET will turn off for 2 us, and the INT output becomes HIGH during the same 2 us.

2us after the high-side MOSFET is turned off and if the VOUT is below the target output voltage, the high side MOSFET will turn on again. At this point, If the inductor current is still greater than the OCP threshold, the high side MOSFET will turn off. This loop will repeat until the OCP event is removed (when the inductor current drops below the OCP threshold), then DC/DC output voltage will finally recover.

However, if DC/DC output voltage is set 3 V or 3.3 V, the DC/DC cannot recover. This happens because of the internal low-side MOSFET. During operation, the low side MOSFET is opened during INT and a capacitor discharges through this MOSFET, meaning the inductor current becomes negative (the inductor’s current flows from the output capacitor, C3 and C4, to the power supply). See Figure 2 channel 2 for an example. Due to this, the DC/DC can’t recover even if there is no output load. For a given input of 5V, the output will become stuck at 2.5 V and the DC/DC consumes approximately 200 mA.

The recommended workaround is to use the typical application circuit shown in Figure 1 and the internal design circuitry shown in Figure 3.

DC-DC Over-Current Protection

Channel 1 (yellow/top line) – V\_OUT

Channel 2 (light blue/2nd line) – PIN#11 (DC\_SW)

Channel 3 (magenta /3rd line) – PIN#7 (DC\_INT)



Figure 2: DC/DC Stuck

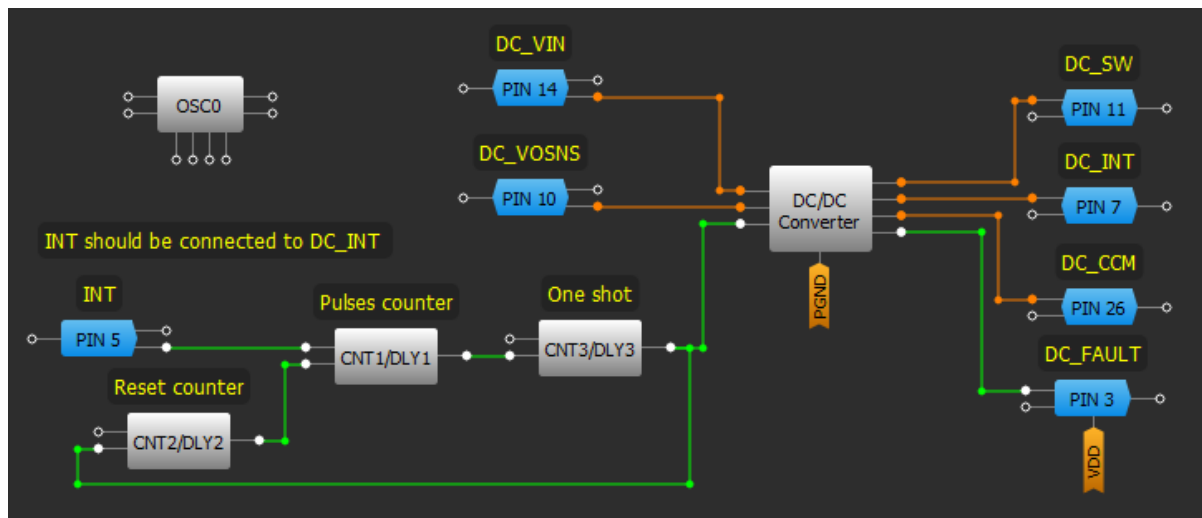


Figure 3: Circuit of the Design

If DC/DC output voltage is set to 3 V or 3.3 V, it is recommended to use the application circuit shown in Figure 1 and Figure 3. When the over current condition occurs, CNT1 will start to detect INT edges. If CNT1 counts more than eight interrupts (CNT1 counter data + 2) within a period of time set by CNT 2, the CNT1 will generate a pulse which launches DLY3. DLY3 will generate a one-shot

DC-DC Over-Current Protection

pulse, which turns off the DC/DC. This one-shot pulse also resets CNT2, which, in turn, resets the CNT1. The purpose of CNT2 is to create a window. It will periodically reset CNT1.

When the DC/DC is turned on or a load transient occurs, there can be a few interrupt pulses (usually 1 or 2). Therefore, CNT1 should have a count of at least 3 to filter out false over current conditions. The time of one-shot (DLY3), periodical reset (CNT2) and number of counted interrupts (CNT1) can be adjusted.

Since PIN#7(DC\_INT) is open drain, add a pull up resistor. In the design PIN#5(INT) is configured with 10k pull up resistor and the two pins PIN#7(DC\_INT) and PIN#5(INT) are tied together.

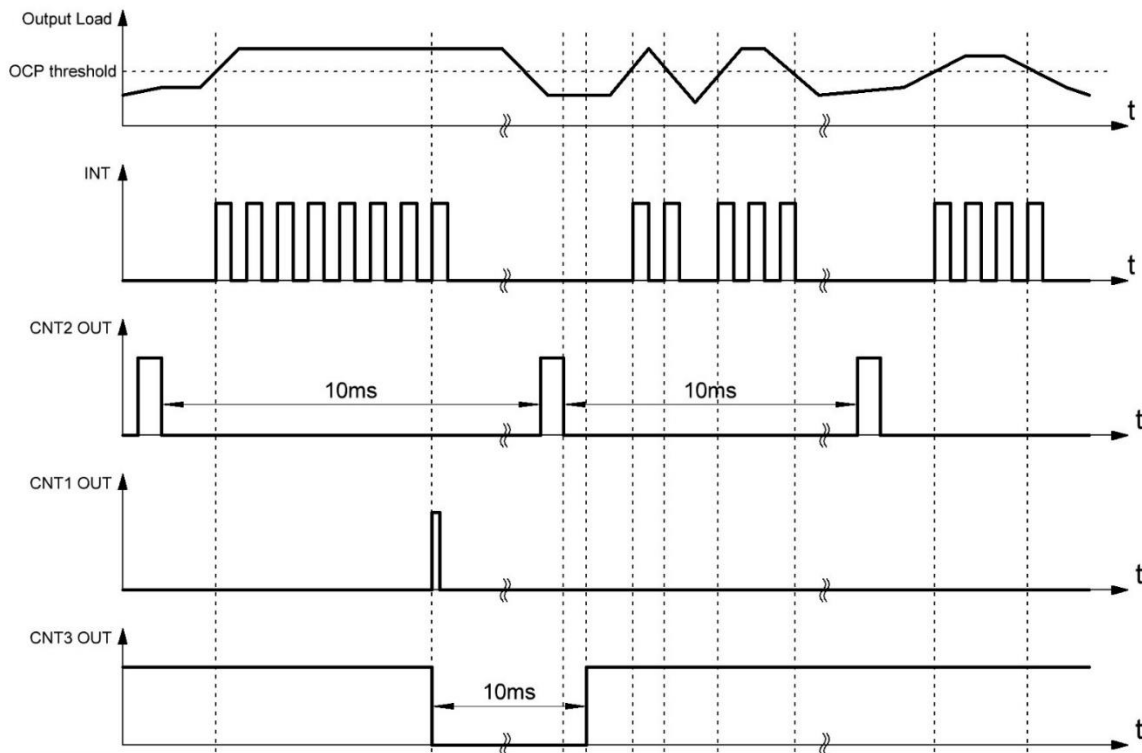


Figure 4: Timing Diagram of Design Functionality

DC-DC Over-Current Protection

Channel 1 (yellow/top line) – PIN#11 (DC\_SW)

Channel 2 (light blue/2nd line) – CNT3 OUT/DC-DC ENABLE

Channel 3 (magenta /3rd line) – PIN#7 (DC\_INT)

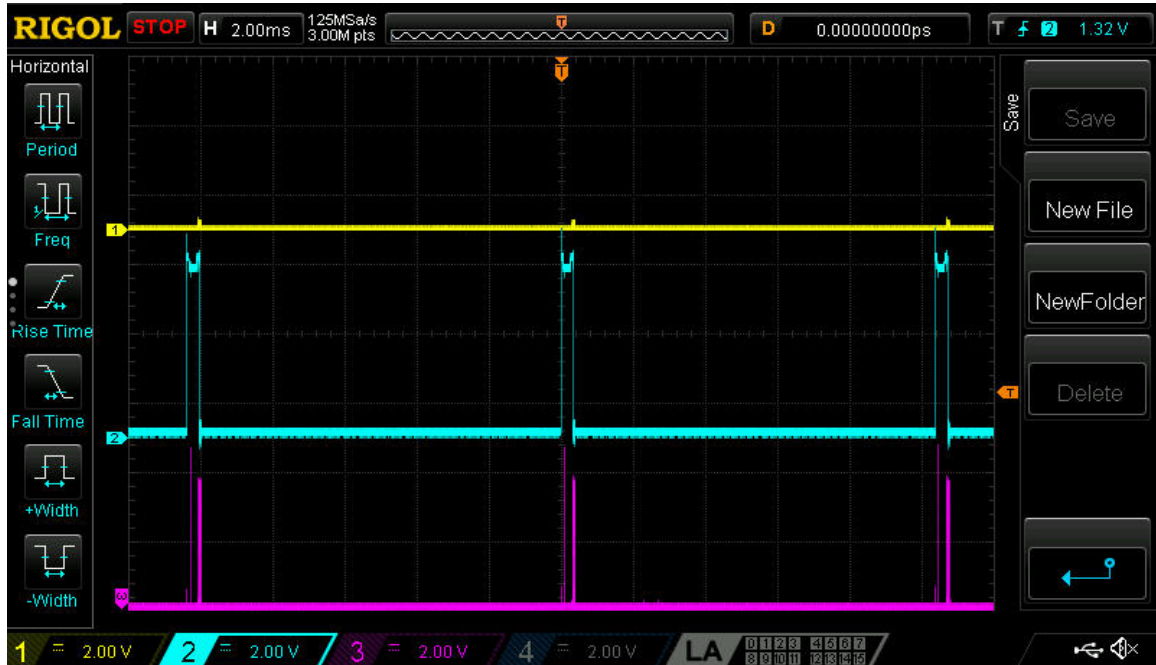


Figure 5: The Design Functionality



Figure 6: Zoomed the Design Functionality

---

## DC-DC Over-Current Protection

### 4 Conclusion

This application note explains how to use the OCP in SLG46585's DC/DC, when DC/DC output voltage is set to 3 V or 3.3 V. Here is a typical circuit which is recommended to use with the DC/DC.

### Revision History

Revision	Date	Description
1.0	31-Mar-2020	Initial Version



## DC-DC Over-Current Protection

### Status Definitions

Status	Definition
DRAFT	The content of this document is under review and subject to formal approval, which may result in modifications or additions.
APPROVED or unmarked	The content of this document has been approved for publication.

### Disclaimer

Information in this document is believed to be accurate and reliable. However, Dialog Semiconductor does not give any representations or warranties, expressed or implied, as to the accuracy or completeness of such information. Dialog Semiconductor furthermore takes no responsibility whatsoever for the content in this document if provided by any information source outside of Dialog Semiconductor.

Dialog Semiconductor reserves the right to change without notice the information published in this document, including without limitation the specification and the design of the related semiconductor products, software and applications.

Applications, software, and semiconductor products described in this document are for illustrative purposes only. Dialog Semiconductor makes no representation or warranty that such applications, software and semiconductor products will be suitable for the specified use without further testing or modification. Unless otherwise agreed in writing, such testing or modification is the sole responsibility of the customer and Dialog Semiconductor excludes all liability in this respect.

Customer notes that nothing in this document may be construed as a license for customer to use the Dialog Semiconductor products, software and applications referred to in this document. Such license must be separately sought by customer with Dialog Semiconductor.

All use of Dialog Semiconductor products, software and applications referred to in this document are subject to Dialog Semiconductor's [Standard Terms and Conditions of Sale](http://www.dialog-semiconductor.com), available on the company website ([www.dialog-semiconductor.com](http://www.dialog-semiconductor.com)) unless otherwise stated.

Dialog and the Dialog logo are trademarks of Dialog Semiconductor plc or its subsidiaries. All other product or service names are the property of their respective owners.

© 2020 Dialog Semiconductor. All rights reserved.

## Contacting Dialog Semiconductor

### United Kingdom (Headquarters)

*Dialog Semiconductor (UK) LTD*  
Phone: +44 1793 757700

### Germany

*Dialog Semiconductor GmbH*  
Phone: +49 7021 805-0

### The Netherlands

*Dialog Semiconductor B.V.*  
Phone: +31 73 640 8822

### Email:

[enquiry@diasemi.com](mailto:enquiry@diasemi.com)

### North America

*Dialog Semiconductor Inc.*  
Phone: +1 408 845 8500

### Japan

*Dialog Semiconductor K. K.*  
Phone: +81 3 5769 5100

### Taiwan

*Dialog Semiconductor Taiwan*  
Phone: +886 281 786 222

### Web site:

[www.dialog-semiconductor.com](http://www.dialog-semiconductor.com)

### Hong Kong

*Dialog Semiconductor Hong Kong*  
Phone: +852 2607 4271

### Korea

*Dialog Semiconductor Korea*  
Phone: +82 2 3469 8200

### China (Shenzhen)

*Dialog Semiconductor China*  
Phone: +86 755 2981 3669

### China (Shanghai)

*Dialog Semiconductor China*  
Phone: +86 21 5424 9058