

Application Note

AC-DC Converter for Low Power Applications

AN-CM-290

Abstract

This application note presents a low-cost AC-DC converter for low-power always connected applications. It implements a capacitor-coupled switched shunt converter controlled by a GreenPAK SLG46110 for voltage regulation.

This application note comes complete with design files which can be found in the References section.

 AC-DC Converter for Low Power Applications

Contents

Abstract	1
Contents	2
Figures.....	2
Tables	2
1 Terms and Definitions.....	3
2 References	3
3 Introduction.....	4
4 Operation Principle of CCSS Topology	4
5 Circuit Schematic and Layout.....	5
6 GreenPAK Design	7
6.1 Comparator Configuration.....	7
7 Measurements	7
8 Conclusion	9
Revision History	10

Figures

Figure 1: Capacitor-Coupled Switched Shunt Regulator	4
Figure 2: CCSS Regulator Timing.....	5
Figure 3: CCSS Regulator Schematic.....	6
Figure 4: CCSS Regulator PCB Layout	6
Figure 5: CCSS Regulator Prototype	6
Figure 6: SLG46110 GreenPAK Design.....	7
Figure 7: ACMP0 and ACMP1 Configuration Settings	7
Figure 8: Waveforms of CCSS	8

Tables

Table 1: Input and Output Measurements.....	8
---	---

AC-DC Converter for Low Power Applications

1 Terms and Definitions

Off-line regulator	An electronic voltage regulator that is designed to directly accept electric power from an AC current source
CCSS	Capacitor-Coupled Switched Shunt Converter
ACMP	Analog Comparator
DFF	D-type Flip-Flop

2 References

For related documents and software, please visit:

<https://www.dialog-semiconductor.com/products/greenpak>.

Download our free [GreenPAK™](#) Designer software [1] to open the .gp files [2] and view the proposed circuit design. Use the [GreenPAK](#) development tools [3] to modify the design into your own customized IC in a matter of minutes. Dialog Semiconductor provides a complete library of application notes [4] featuring design examples as well as explanations of features and blocks within the Dialog IC.

- [1] [GreenPAK Designer Software](#), Software Download and User Guide, Dialog Semiconductor
- [2] [AN-CM-290 AC-DC Converter for Low Power Applications.gp](#), [GreenPAK](#) Design File, Dialog Semiconductor
- [3] [GreenPAK Development Tools](#), [GreenPAK](#) Development Tools Webpage, Dialog Semiconductor
- [4] [GreenPAK Application Notes](#), [GreenPAK](#) Application Notes Webpage, Dialog Semiconductor
- [5] SLG46110, Datasheet, Dialog Semiconductor
- [6] AN-H65, Synchronous CCSS Regulator, Application Note, Supertex Inc.

Author: Gino Castillo

AC-DC Converter for Low Power Applications

3 Introduction

Modern devices have driven the need for compact, low-cost off-line regulators. Off-line regulators which use inductors are efficient but are often large and costly. This application note will describe how to implement a circuit that instead uses a capacitor-coupled switched shunt regulator controlled by a Dialog [GreenPAK](#) SLG46110. This circuit can provide a low-cost AC-DC converter for low-power applications such as smart lighting.

4 Operation Principle of CCSS Topology

At a basic level shunt regulators consist of two elements: a voltage regulator in parallel with the load (shunt) and a current-limiting element in series between the supply and load. The shunt regulator used in this application note is specifically a capacitor-coupled switched shunt (CCSS) regulator ([Figure 1](#)). When the switch is closed, it short circuits the input current to ground. When it is open, diode D5 diverts the input current to the load. Besides the series capacitor (C_s), the highest voltage seen by the other components is one diode drop above V_{out} .

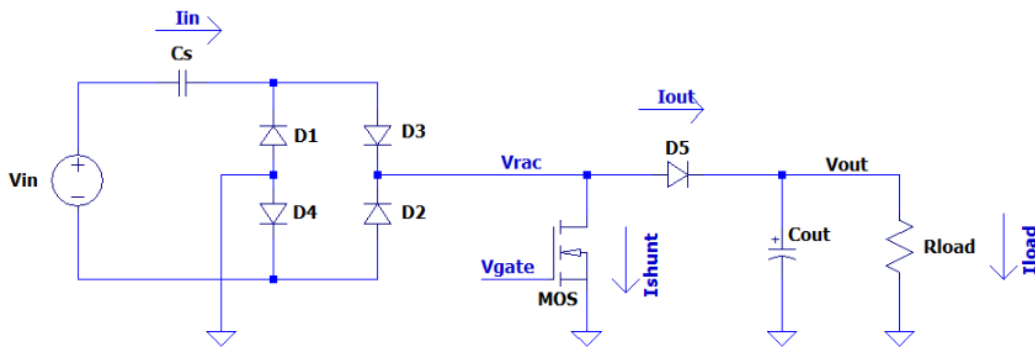


Figure 1: Capacitor-Coupled Switched Shunt Regulator

As with all shunt regulators, input current to a CCSS regulator is constant regardless of load but varies with input voltage and the series capacitance. Although current will always be drawn even under no-load conditions this current is mainly reactive with a small real. Input current can be estimated with the following equation:

$$I_{in} = \frac{V_{in}}{X_c}$$

Output voltage regulation is achieved by controlling the duty cycle of the switched shunt. The MOSFET shunt turns off when the V_{out} is below the desired regulation threshold, sending all the input current to the output. When V_{out} exceeds that threshold, the MOSFET shunt turns on, sending all the input current instead to ground and back to the input. The shunt is synchronized to turn on when the voltage across it (V_{rac}) is low to minimize the applied voltage step across C_s resulting in a more efficient operation.

AC-DC Converter for Low Power Applications

The following diagram shows the operation of this control manner from a timing perspective.

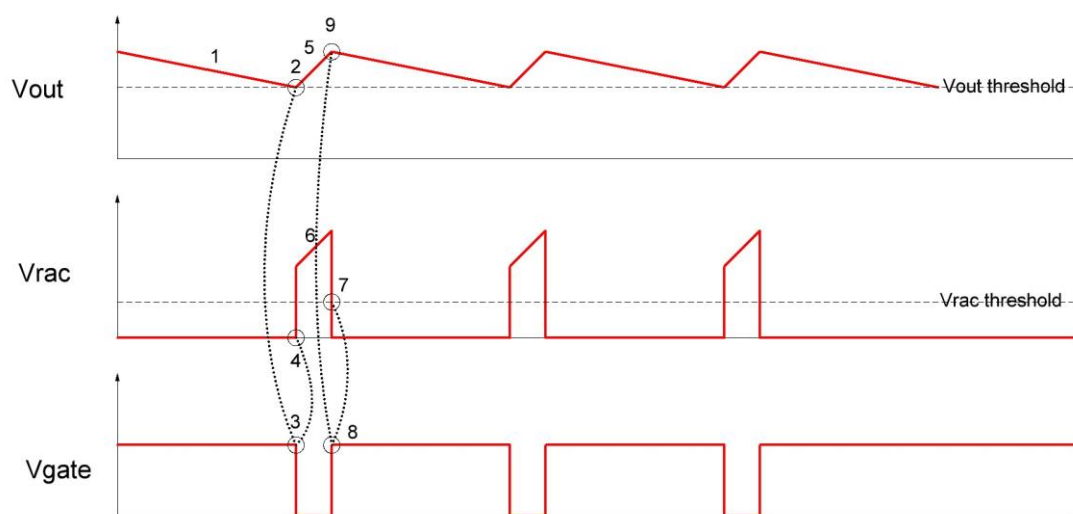


Figure 2: CCSS Regulator Timing

Figure 2 describes the CCSS timing diagram:

Output voltage decays under load until

It hits the V_{out} threshold which

Turns off the shunt

Freeing the V_{rac} from GND

V_{rac} is clamped by D5 ($V_{out}-0.6V$) when V_{out} starts to rise until

V_{rac} falls below V_{out} as AC input

V_{rac} falls to V_{rac} threshold ...

The shunt is turned on, V_{rac} is clamped by GND ...

Output voltage decays under load and the cycle repeats.

The MOSFET cannot turn-on immediately when V_{out} exceeds the threshold, which results in overshoot at the output. A larger capacitance for C_{out} or operating the regulator over a narrower input voltage range can minimize the overshoot.

5 Circuit Schematic and Layout

Figure 3 depicts the circuit schematic of the low power AC-DC converter module. It uses the SLG46110 (U1) to control the CCSS. The module operates at an input AC voltage range from 90V to 260V(CN1), and over a non-isolated output of 3.3V (CN2). An optional LDO (U2) is added after the V_{out} to further stabilize the output voltage. The SLG46110 device generates the control signal that switches the MOSFET shunt (Q1) based on the V_{out} and V_{rac} threshold levels. 1N5817 Schottky diodes were used for D1 and D2. Since the dissipation factor (DF) of C_s has a large effect on the efficiency of the circuit, a $1\mu F$ capacitor with a relatively small DF of 40×10^{-4} is used for C_s . Figure 4 shows a picture of the PCB Layout of the board. Figure 5 shows a photograph of the complete design PCB described in this app note.

AC-DC Converter for Low Power Applications

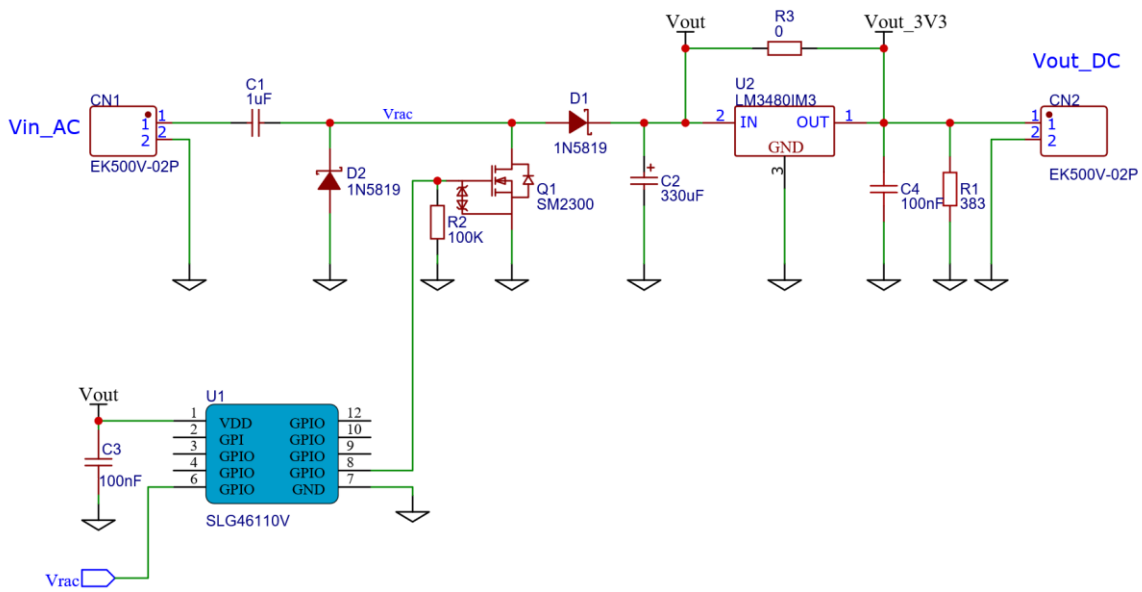


Figure 3: CCSS Regulator Schematic

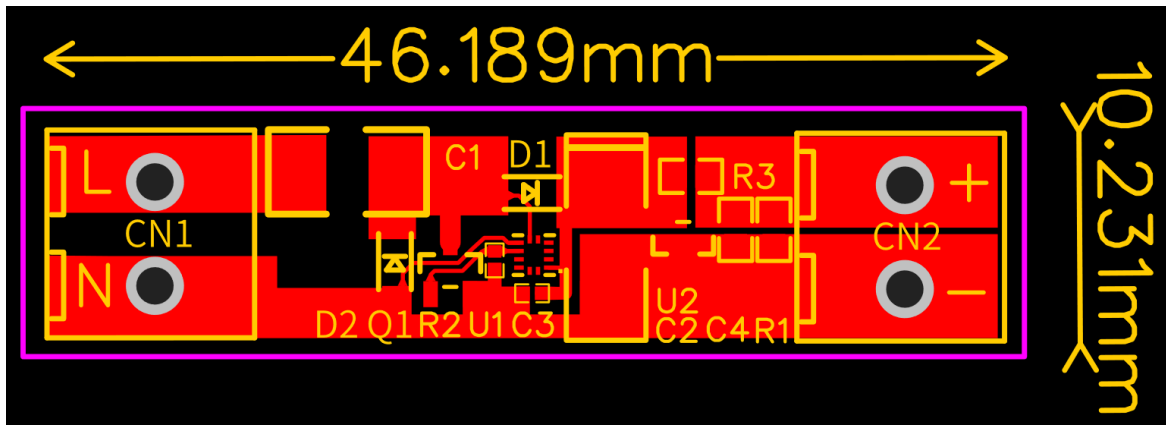


Figure 4: CCSS Regulator PCB Layout

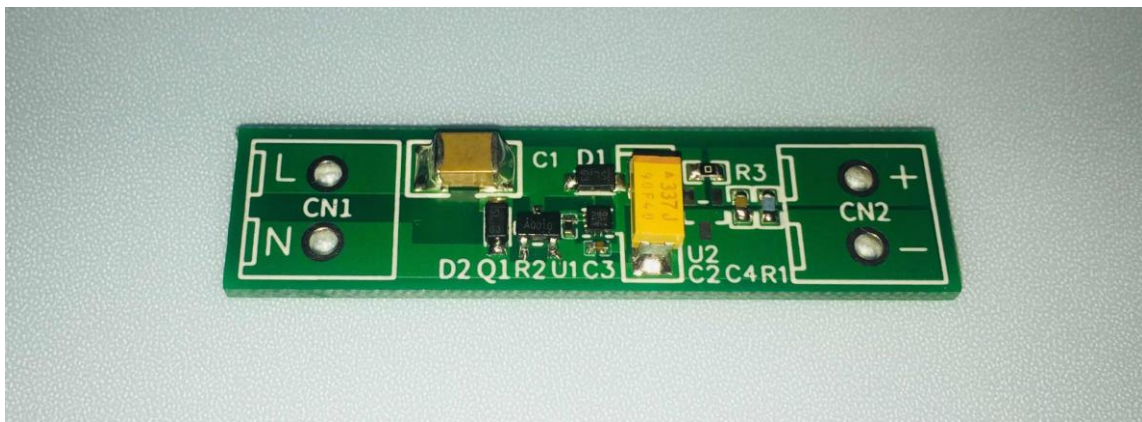


Figure 5: CCSS Regulator Prototype

AC-DC Converter for Low Power Applications

6 GreenPAK Design

The project design developed in GreenPAK Designer is shown in Figure 6.

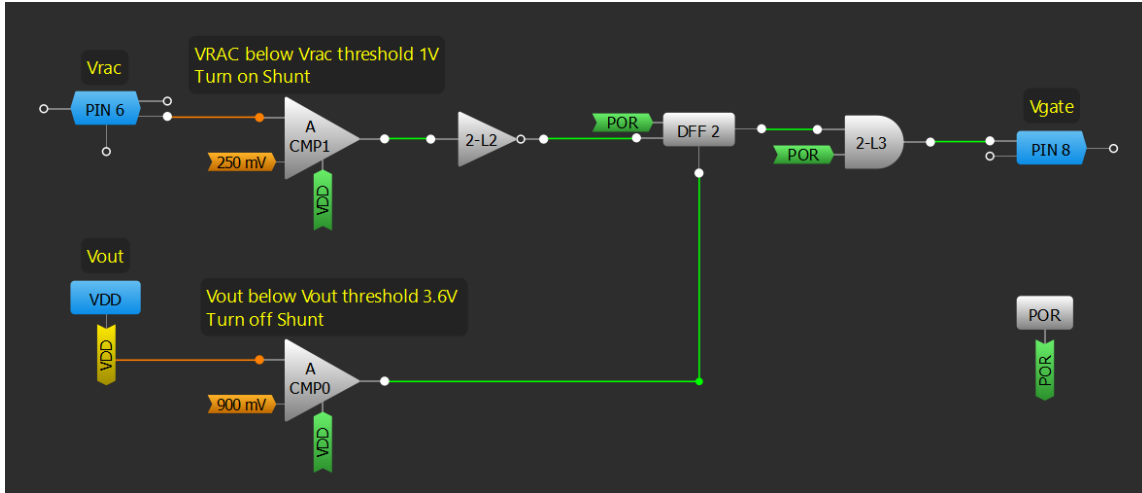


Figure 6: SLG46110 GreenPAK Design

6.1 Comparator Configuration

As shown on Figure 3 VDD of the SLG46110 device is connected to V_{out} and PIN6 to V_{rac}. ACMP0 is used to sense V_{out} voltage. With the additional logic, it will turn off the MOSFET shunt when V_{out} < 3.6V. ACMP1 is used to sense V_{rac} voltage. It will turn on the MOSFET shunt when V_{rac} < 1V. Refer to Figure 7 for the ACMPs settings.

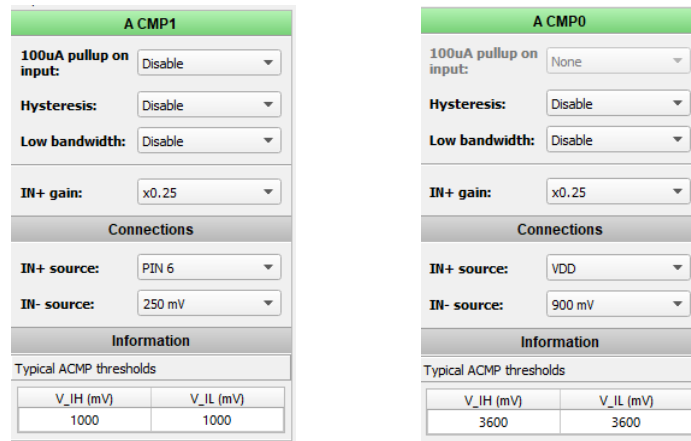


Figure 7: ACMP0 and ACMP1 Configuration Settings

7 Measurements

The module is tested at the 150V AC RMS input voltage. The gate voltage of the MOSFET shunt and the output voltage signal is measured. Figure 8 displays their waveforms. The ripple of the output voltage is about 440mV.

AC-DC Converter for Low Power Applications

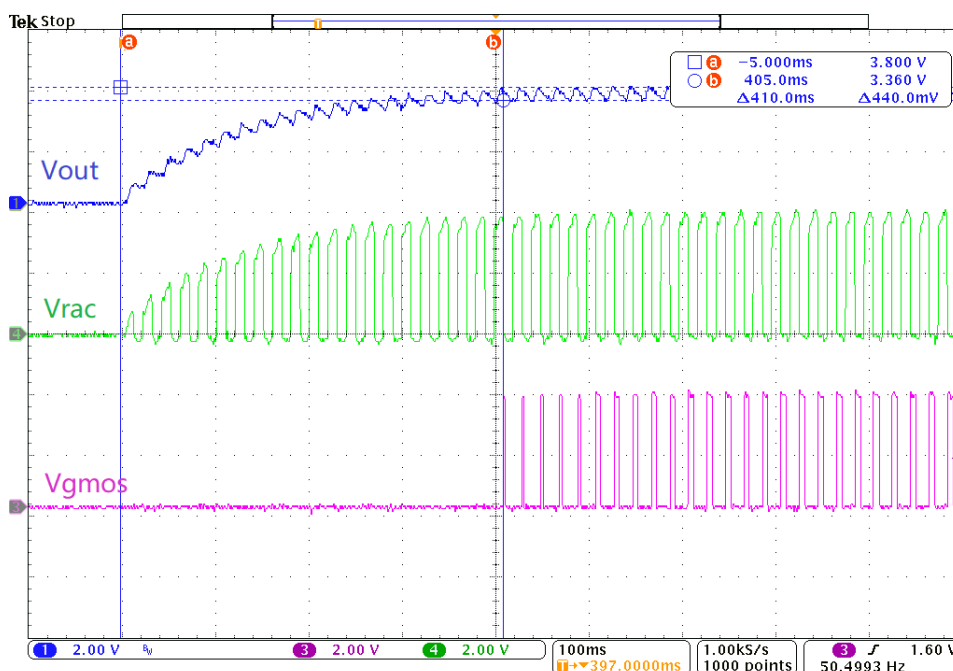


Figure 8: Waveforms of CCSS

Below in Table 1 are the input and output measurements. The input RMS power is calculated with an AC power meter and the output power is calculated by multiplying the output voltage by the squared value of the resistor. As stated previously, C_s is a 1 μ F capacitor with a DF of 40×10^{-4} .

Table 1: Input and Output Measurements

Input Voltage (RMS V)	Input Current (RMS mA)	Input Power (RMS mW)	Output Voltage (V)	Resistor (Ω)	Output Power (mW)
90	35.9	39	3.80	383	37.70
100	38.3	45	3.78	383	37.31
110	41.3	40	3.79	383	37.50
120	44.2	50	3.83	383	38.30
130	46.8	48	3.78	383	37.31
140	49.6	45	3.77	383	37.11
150	53.2	49	4.04	383	42.62
160	56.3	52	4.04	383	42.62
170	59.2	54	4.07	383	43.25
180	62.1	56	4.16	383	45.18
190	65.1	52	4.13	383	44.53
200	67.9	60	4.12	383	44.32
210	70.9	58	4.08	383	43.46
220	73.9	63	4.16	383	45.18
230	76.9	52	4.14	383	44.75
240	80.1	62	4.30	383	48.28

AC-DC Converter for Low Power Applications

250	83.1	73	4.42	383	51.01
260	86.2	60	4.45	383	51.70

8 Conclusion

This CCSS converter provides a compact, low-cost inductorless alternative to a typical AC-DC converter system, which is ideal for low power applications. The [GreenPAK](#) has additional logic and GPIOs available which gives the flexibility to include additional functions to its switching control without buying another device. The switching circuit can be implemented in any [GreenPAK](#) with two ACMPs, so a different [GreenPAK](#) with the desired functionality could replace the SLG46110. For instance, an SLG46140 could be used instead to provide PWM control to an LED light.

Revision History

Revision	Date	Description
1.0	20-Oct-2019	Initial Version

AC-DC Converter for Low Power Applications

Status Definitions

Status	Definition
DRAFT	The content of this document is under review and subject to formal approval, which may result in modifications or additions.
APPROVED or unmarked	The content of this document has been approved for publication.

Disclaimer

Information in this document is believed to be accurate and reliable. However, Dialog Semiconductor does not give any representations or warranties, expressed or implied, as to the accuracy or completeness of such information. Dialog Semiconductor furthermore takes no responsibility whatsoever for the content in this document if provided by any information source outside of Dialog Semiconductor.

Dialog Semiconductor reserves the right to change without notice the information published in this document, including without limitation the specification and the design of the related semiconductor products, software and applications.

Applications, software, and semiconductor products described in this document are for illustrative purposes only. Dialog Semiconductor makes no representation or warranty that such applications, software and semiconductor products will be suitable for the specified use without further testing or modification. Unless otherwise agreed in writing, such testing or modification is the sole responsibility of the customer and Dialog Semiconductor excludes all liability in this respect.

Customer notes that nothing in this document may be construed as a license for customer to use the Dialog Semiconductor products, software and applications referred to in this document. Such license must be separately sought by customer with Dialog Semiconductor.

All use of Dialog Semiconductor products, software and applications referred to in this document are subject to Dialog Semiconductor's [Standard Terms and Conditions of Sale](http://www.dialog-semiconductor.com), available on the company website (www.dialog-semiconductor.com) unless otherwise stated.

Dialog and the Dialog logo are trademarks of Dialog Semiconductor plc or its subsidiaries. All other product or service names are the property of their respective owners.

© 2019 Dialog Semiconductor. All rights reserved.

Contacting Dialog Semiconductor

United Kingdom (Headquarters)
Dialog Semiconductor (UK) LTD
Phone: +44 1793 757700

Germany
Dialog Semiconductor GmbH
Phone: +49 7021 805-0

The Netherlands
Dialog Semiconductor B.V.
Phone: +31 73 640 8822

Email:
enquiry@diasemi.com

North America
Dialog Semiconductor Inc.
Phone: +1 408 845 8500

Japan
Dialog Semiconductor K. K.
Phone: +81 3 5769 5100

Taiwan
Dialog Semiconductor Taiwan
Phone: +886 281 786 222

Web site:
www.dialog-semiconductor.com

Hong Kong
Dialog Semiconductor Hong Kong
Phone: +852 2607 4271

Korea
Dialog Semiconductor Korea
Phone: +82 2 3469 8200

China (Shenzhen)
Dialog Semiconductor China
Phone: +86 755 2981 3669

China (Shanghai)
Dialog Semiconductor China
Phone: +86 21 5424 9058