

Application Note

RTC Binary Counter – An Introduction

AN-CM-253

Abstract

This application note introduces the behavior of the GreenPAK™ Real-Time Counter (RTC) and outlines a couple common design applications in which the RTC provides added configurability to circuit designers. The RTC macrocell serves as a 47-bit binary counter for lengthy timing applications but can also be modified to work as a 32-bit counter for creating shorter periodic signals. All register information and RTC specifications contained within this document reference the SLG46580/82/83 specifically, but the principles can be applied to other GreenPAK-based RTCs.

RTC Binary Counter – An Introduction

Contents

Abstract	1
Contents	2
Figures.....	2
1 Terms and Definitions.....	3
2 References	3
3 Functionality Explanation.....	4
4 Integrating I ² C Reading & Writing with Periodic Signals	5
5 Industry Application.....	7
6 Conclusion	7
Revision History	8

Figures

Figure 1: RTC Block Diagram - GreenPAK Designer	4
Figure 2: RTC Counter Macrocell - SLG46580/82/83 Datasheet.....	4
Figure 3: Shadow Buffer Register Contents.....	5
Figure 4: Five-Second Periodic Signal Design using the RTC.....	6
Figure 5: RTC Properties for Five-Second Clock.....	6
Figure 6: RTC Five-Second Clock Pulse.....	6

RTC Binary Counter – An Introduction**1 Terms and Definitions**

ICs	Integrated circuits
LSBs	Least significant bits
RTC	Real-time counter

2 References

- [1] SLG46580/SLG46582/SLG46583, Datasheet, Dialog Semiconductor.
- [2] AN-CM-233, External Oscillator Solutions with GreenPAK, Application Note, Dialog Semiconductor.

Author: Craig Cary

RTC Binary Counter – An Introduction

3 Functionality Explanation

The RTC is comprised of the 15-bit and 32-bit counters shown in [Figure 1](#) and [Figure 2](#). By analyzing the datasheet's macrocell diagram in [Figure 2](#), we can learn more about the configuration registers for this block as well as the associated matrix connections.

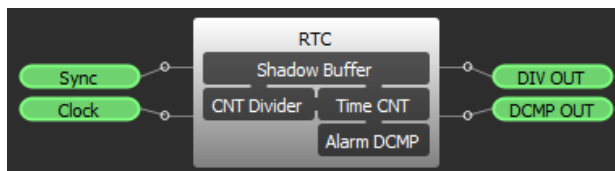


Figure 1: RTC Block Diagram - GreenPAK Designer

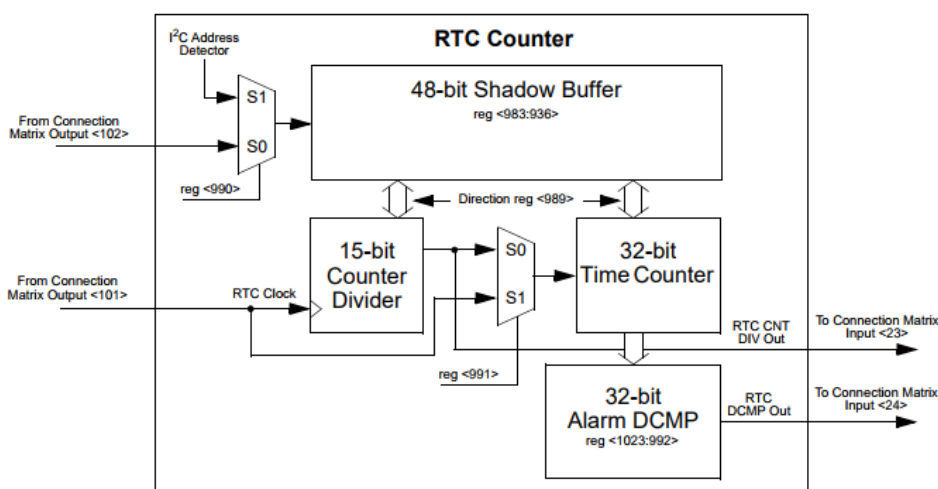


Figure 2: RTC Counter Macrocell - SLG46580/82/83 Datasheet

This block's operation centers around the 32-bit time counter and the 32-bit alarm DCMP illustrated in [Figure 2](#). The operation is simple: for every rising edge of its clock, the count value held within the time counter registers increments by one until it reaches $2^{32}-1$. Upon reaching this value, the next clock signal causes the counter to "overflow" to zero and restart its count. When the registers of the time counter match the alarm DCMP registers, the "RTC DCMP Out" signal will go high. The RTC operates in the 32-bit configuration as described above when the RTC's 32-bit counter is clocked, through mux selection, by the "RTC Clock" matrix output.

Please note that the RTC's clock input should have an active high pulse width exceeding 1 μ s. Assuming a 50% duty cycle, this specification allows for input clock frequencies that are less than or equal to 500 kHz.

Looking back at [Figure 2](#), we see the inclusion of another 15-bit counter within the RTC macrocell. This counter's output, when selected by the mux as the 32-bit time counter's clock, becomes the 15 least significant bits (LSBs) of a 47-bit counter configuration. The 15-bit counter overflows at $2^{15}-1$ in the same way as previously described for the 32-bit counter. When the 15-bit counter overflows to "0", the 15-bit counter clocks the 32-bit counter and the RTC block outputs a "1" into the matrix through "RTC CNT DIV Out."

A key feature of the 15-bit counter is that it pairs well with a 32.768 kHz crystal oscillator. By selecting "32767" for the "Init. counter divider data" section of the RTC property window, the user can create 1-second pulses to clock the 32-bit time counter. This trivializes the process of creating arbitrary timing signals with the RTC block as you can simply calculate the desired delay in seconds and set the "Alarm DCMP value:" registers accordingly.

RTC Binary Counter – An Introduction

If you take another look at [Figure 1](#) and [Figure 2](#), you can see a matrix output named “SYNC” that connects to what we call the “Shadow Buffer.” This 48-bit buffer can be used to both read from and write to the 15-bit and 32-bit counters. [Figure 3](#) shows the register contents for this shadow buffer which are located at the I²C addresses from 0x75 to 0x7A.

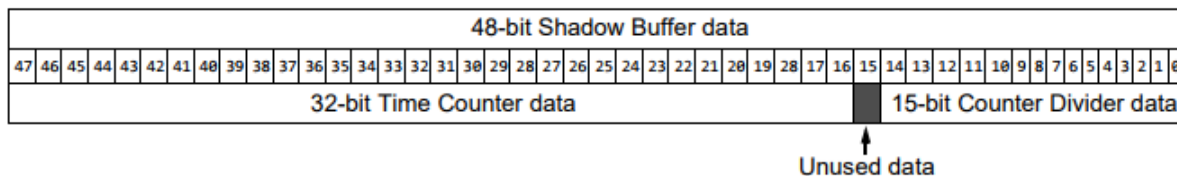


Figure 3: Shadow Buffer Register Contents

Register <989> controls the direction of the shadow buffer data transfer. When triggered by a rising edge of “SYNC,” a digital “1” configures the RTC block to load the counter registers with the data stored inside the shadow buffer. Alternatively, a digital “0” in register <989> stores the current count value of each of the counters in the shadow buffer registers.

These register transfers are synchronized to one of two sources selected by register <990>: a rising edge on the “SYNC” matrix output as previously described or an I²C trigger signal. A digital “0” selects the “SYNC” trigger and vice versa. The I²C trigger signal is generated internally by reading (when register <989> is “0”) or writing (when register <989> is “1”) to any of the shadow buffer register addresses.

The shadow register guarantees a stable I²C read from the RTC count registers when triggered via I²C. If you were to perform an I²C read on the counter registers directly, the register contents might increment during the read time, resulting in an incorrect I²C read. By copying the register contents into the shadow buffer, the [GreenPAK™](#) allows the RTC counters to continue operating while the user reads the shadow buffer registers.

For “SYNC” triggering and I²C writing to the counter registers, we recommend stopping the RTC’s clock to ensure correct data transfer. Please see the [SLG46580/82/83 errata files](#) for more information.

4 Integrating I²C Reading & Writing with Periodic Signals

To create a periodic signal with the RTC block, the designer needs to configure the RTC block to reset each time the 32-bit count matches the alarm DCMP registers. When not using I²C, resetting the counter requires the use of the “SYNC” input to transfer an initial count value from the shadow buffer to the 15-bit and 32-bit counters.

By feeding the “RTC DCMP OUT” signal to the “SYNC” input as shown in [Figure 4](#), you can create the 5 second clock pulse shown in [Figure 6](#). Please note that this signal is generated using an external 32.768kHz oscillator. This clock period can be modified for various applications by changing the external clock speed or the Alarm DCMP value displayed in [Figure 5](#).

RTC Binary Counter – An Introduction

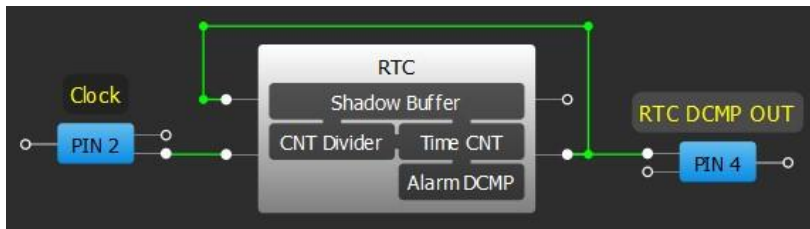


Figure 4: Five-Second Periodic Signal Design using the RTC

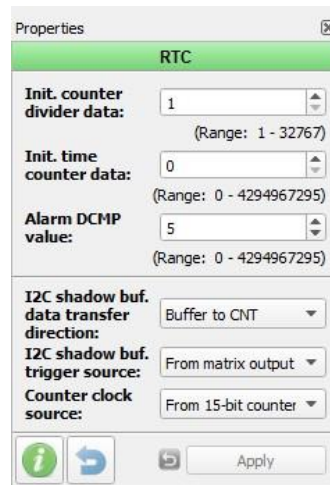


Figure 5: RTC Properties for Five-Second Clock

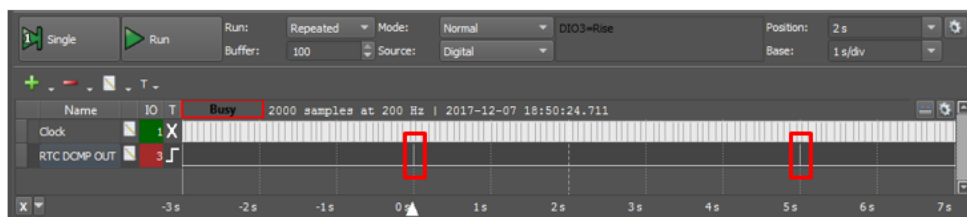


Figure 6: RTC Five-Second Clock Pulse

On occasion, a designer might want to perform an I²C read to check the current count of their periodic signal. This requires the user to follow a procedure as shown below:

- Follow the previously outlined procedure for generating periodic signals.
- Initialize read mode for the RTC block by changing reg <989> to “0”.
- Change the trigger from “SYNC” to the I²C trigger by setting reg<990> to “1”.
- Perform the I²C read of the desired addresses.
- Revert the trigger back to “SYNC” by setting reg <990> to “0”.
- Reset the contents of the shadow buffer to the default values.
- Set the RTC block to write mode by changing reg <989> to “1”.

Following these steps should enable you to read the register contents of the RTC while generating a periodic signal. It is important to note that the feedback mechanism is disrupted during I²C reads. If the time counter registers increment above the alarm DCMP registers during an I²C read, the “SYNC” input’s rising edge won’t trigger a counter reset. This behavior can be detected and rectified by analyzing the results of each I²C read. If any read is close to the alarm DCMP compare value and there isn’t enough time to reset the device’s settings back to its original periodic behavior, the software can manually generate the I²C commands to trigger the RTC reset.

RTC Binary Counter – An Introduction

5 Industry Application

The features explained in this application note can be customized for many different applications ranging from Bluetooth beacons to household electronics. You might have a temperature sensor, for example, that you want to wake up every hour to sample data. Similarly, you might want to put a Bluetooth beacon to sleep to conserve power. This block can periodically wake up the Bluetooth device to transmit its presence to nearby Bluetooth-compatible devices.

This block can also keep track of the life expectancy for various electronic devices. For example, many smoke detector and carbon monoxide alarms have a lifespan of about 10 years. This block provides designers with a simple, configurable, and low power timing solution for alerting homeowners of the need to replace their devices.

When clocked at 3.3V by a 32.768kHz oscillator, the use of the RTC block increases the SLG46580/82/83's current consumption by about 250nA. Please note that this value doesn't include the current consumption due to the clock source and GPIO switching, if applicable. For additional information regarding the creation of an external oscillator circuit using [GreenPAK](#), please see [AN-CM-233](#).

6 Conclusion

The RTC block provides a low power and cost-effective timing solution for designers to create both extended signals and short periodic alerts. When combined with the other [GreenPAK](#) logic elements, this block provides increased configurability to designers as they attempt to minimize current consumption, decrease PCB size, and reduce BOM costs for their applications.

RTC Binary Counter – An Introduction

Revision History

Revision	Date	Description
1.0	29-Aug-2018	<i>Initial Version</i>

RTC Binary Counter – An Introduction

Status Definitions

Status	Definition
DRAFT	The content of this document is under review and subject to formal approval, which may result in modifications or additions.
APPROVED or unmarked	The content of this document has been approved for publication.

Disclaimer

Information in this document is believed to be accurate and reliable. However, Dialog Semiconductor does not give any representations or warranties, expressed or implied, as to the accuracy or completeness of such information. Dialog Semiconductor furthermore takes no responsibility whatsoever for the content in this document if provided by any information source outside of Dialog Semiconductor.

Dialog Semiconductor reserves the right to change without notice the information published in this document, including without limitation the specification and the design of the related semiconductor products, software and applications.

Applications, software, and semiconductor products described in this document are for illustrative purposes only. Dialog Semiconductor makes no representation or warranty that such applications, software and semiconductor products will be suitable for the specified use without further testing or modification. Unless otherwise agreed in writing, such testing or modification is the sole responsibility of the customer and Dialog Semiconductor excludes all liability in this respect.

Customer notes that nothing in this document may be construed as a license for customer to use the Dialog Semiconductor products, software and applications referred to in this document. Such license must be separately sought by customer with Dialog Semiconductor.

All use of Dialog Semiconductor products, software and applications referred to in this document are subject to Dialog Semiconductor's [Standard Terms and Conditions of Sale](http://www.dialog-semiconductor.com), available on the company website (www.dialog-semiconductor.com) unless otherwise stated.

Dialog and the Dialog logo are trademarks of Dialog Semiconductor plc or its subsidiaries. All other product or service names are the property of their respective owners.

© 2018 Dialog Semiconductor. All rights reserved.

Contacting Dialog Semiconductor

United Kingdom (Headquarters)
Dialog Semiconductor (UK) LTD
Phone: +44 1793 757700

Germany
Dialog Semiconductor GmbH
Phone: +49 7021 805-0

The Netherlands
Dialog Semiconductor B.V.
Phone: +31 73 640 8822

Email:
enquiry@diasemi.com

North America
Dialog Semiconductor Inc.
Phone: +1 408 845 8500

Japan
Dialog Semiconductor K. K.
Phone: +81 3 5769 5100

Taiwan
Dialog Semiconductor Taiwan
Phone: +886 281 786 222

Web site:
www.dialog-semiconductor.com

Hong Kong
Dialog Semiconductor Hong Kong
Phone: +852 2607 4271

Korea
Dialog Semiconductor Korea
Phone: +82 2 3469 8200

China (Shenzhen)
Dialog Semiconductor China
Phone: +86 755 2981 3669

China (Shanghai)
Dialog Semiconductor China
Phone: +86 21 5424 9058