

Application Note

A Contactless Rotary Encoder

AN-CM-228

Abstract

This application note describes how to design a high reliability, contactless rotary switch or encoder using a Dialog GreenPAK.

This application note comes complete with design files which can be found in the References section.

A Contactless Rotary Encoder

Contents

Abstract	1
Contents	2
Figures.....	2
1 Terms and Definitions.....	3
2 References	3
3 Introduction.....	4
4 Design Concept	4
5 GreenPAK Design Implementation.....	6
6 Test Results	9
7 Conclusion	9
Revision History	10

Figures

Figure 1: Top Level Application Schematic for Demonstration	4
Figure 2: Oscilloscope Capture Showing the Difference in Risetime.....	5
Figure 3: GreenPAK Designer Schematic.....	6
Figure 4: Oscillator Configuration Settings.....	7
Figure 5: ASM State Diagram Showing Possible State Transitions.....	8
Figure 6: Output Connection Matrix	8
Figure 7: Crude Prototype	9

A Contactless Rotary Encoder

1 Terms and Definitions

ASM	asynchronous state machine
IC	integrated circuit

2 References

For related documents and software, please visit:

<https://www.dialog-semiconductor.com/products/greenpak>.

Download our free [GreenPAK™](#) Designer software [1] to open the .gp files [2] and view the proposed circuit design. Use the [GreenPAK](#) development tools [3] to freeze the design into your own customized IC in a matter of minutes. Dialog Semiconductor provides a complete library of application notes [4] featuring design examples as well as explanations of features and blocks within the Dialog IC.

- [1] [GreenPAK Designer Software](#), Software Download and User Guide, Dialog Semiconductor
- [2] [AN-CM-228 A Contactless Rotary Encoder.gp](#), [GreenPAK](#) Design File, Dialog Semiconductor
- [3] [GreenPAK Development Tools](#), [GreenPAK](#) Development Tools Webpage, Dialog Semiconductor
- [4] [GreenPAK Application Notes](#), [GreenPAK](#) Application Notes Webpage, Dialog Semiconductor
- [5] [SLG46537](#), Datasheet, Dialog Semiconductor

Author: Joe Froniewski

A Contactless Rotary Encoder

3 Introduction

This application note describes how to design a high reliability rotary switch or encoder using a Dialog GreenPAK [5]. This switch design is contactless, and therefore ignores contact oxidation and wear. It is ideal for use outdoors where there is long term moisture, dust, temperature extremes, etc.

Dialog GreenPAK SLG46537: The GreenPAK IC provides all the circuit functions for this design. It generates a signal (EVAL) for improved signal to noise, receives inputs from each sector pad of the rotary switch, and interprets each sector pad using the Asynchronous State Machine (ASM) to guarantee only one switch selection.

4 Design Concept

This design works by timing. It generates a clock (EVAL) signal to slowly pull up each sector pad through external 100 kohm resistors (Figure 1). The EVAL signal is capacitively coupled to the central “wiper” which drives the rising edge of the selected sector pad faster than all the others (fast in Figure 1). The GreenPAK Asynchronous State Machine (ASM) then evaluates which rising edge arrived first and the result gets latched. The advantage of the capacitive coupling design is for reliability. Whether the encoder is built capacitive and then wears out to direct connection, or built direct connection and then degrades (oxidizes) to capacitive, it still works.

The top-level schematic in Figure 1 shows the outputs connected to external LED’s for demonstration.

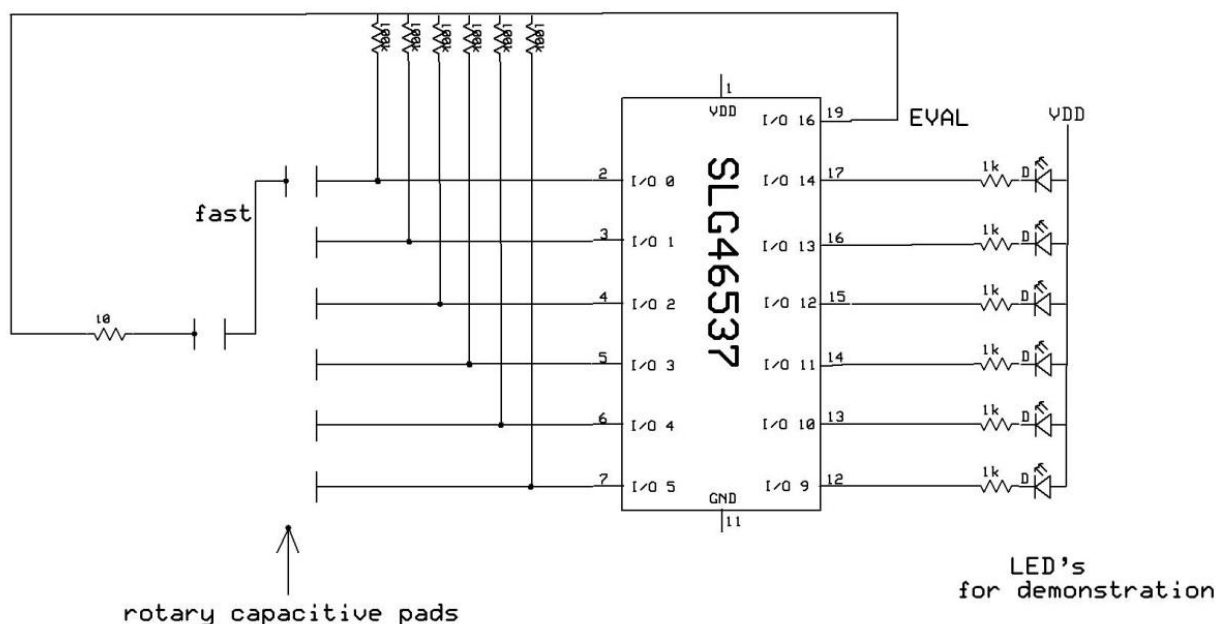


Figure 1: Top Level Application Schematic for Demonstration

Figure 2 is an oscilloscope capture showing the difference in risetime of a sector pad having the selector wiper aligned with it, versus the risetime of the other unselected pads. The delta T is 248 nS, which more than enough margin for the GreenPAK Asynchronous State Machine (ASM) to resolve. The ASM can resolve in under a nanosecond, and its internal arbitration circuitry guarantees that only one state is valid. Hence, only one output will register at any time.

A Contactless Rotary Encoder



Figure 2: Oscilloscope Capture Showing the Difference in Risetime

A Contactless Rotary Encoder

5 GreenPAK Design Implementation

The schematic programmed into the GreenPAK IC is shown in Figure 3.

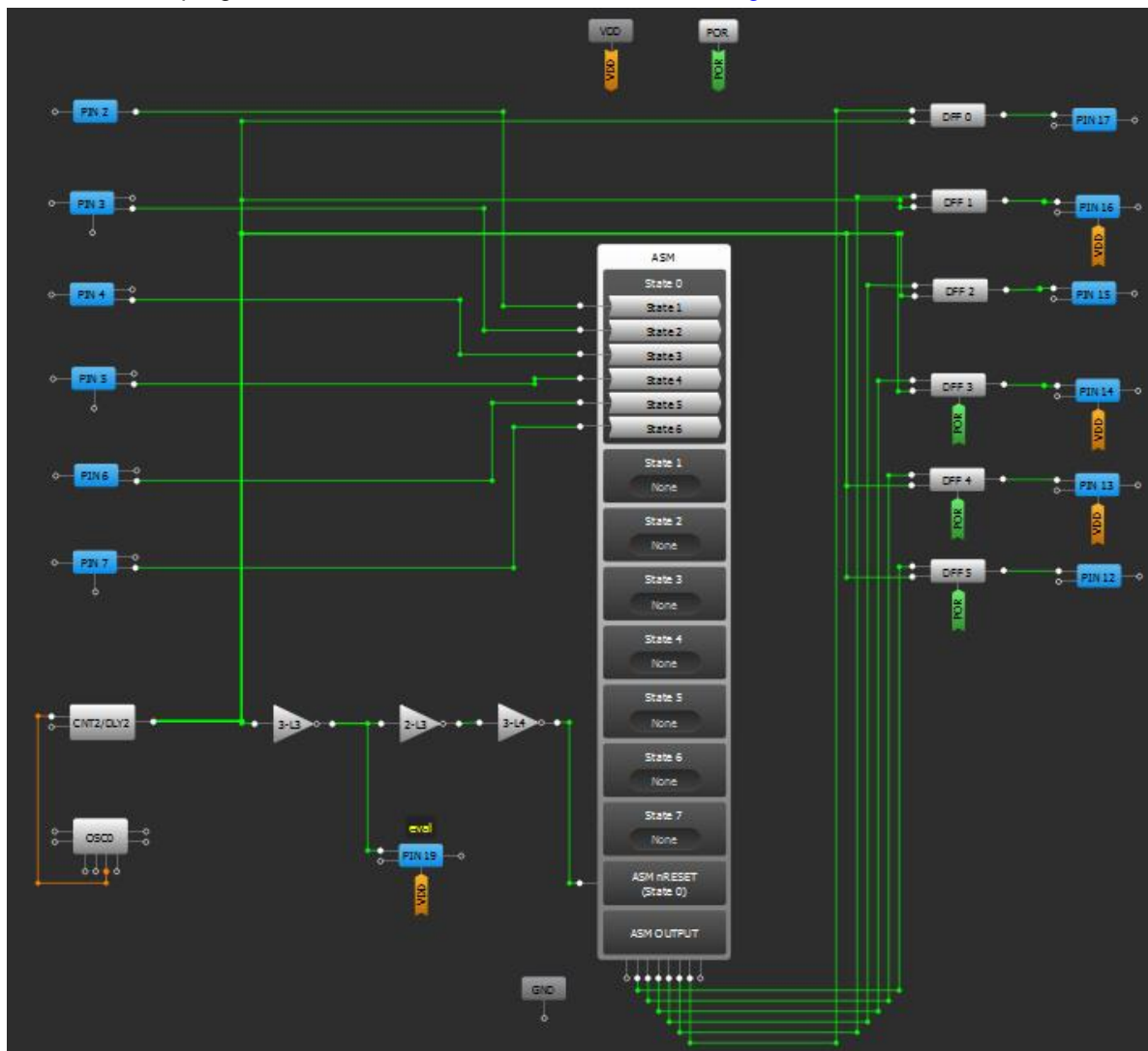
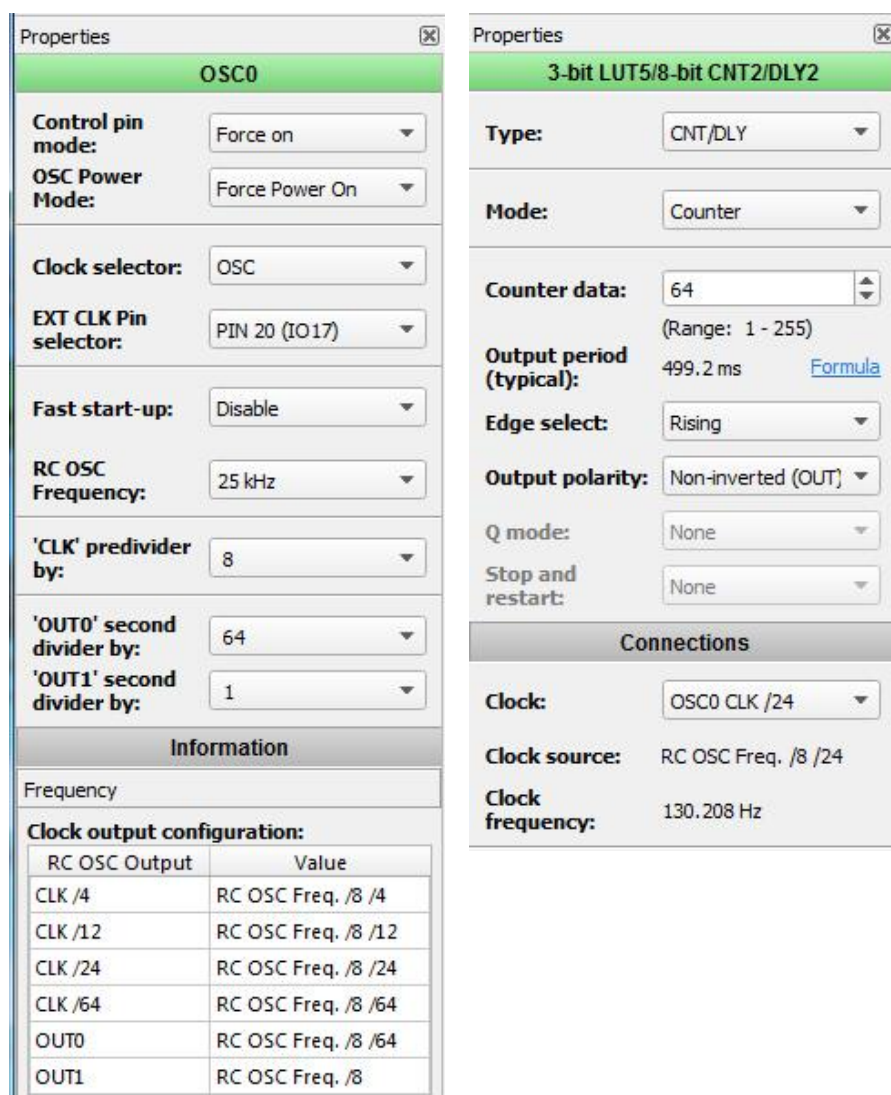


Figure 3: GreenPAK Designer Schematic

To save power, the EVAL signal is generated at a rate appropriate for the application response time. The low frequency oscillator is used and further divided down with CNT2. In this example it's approximately 16 Hz. See configuration settings in Figure 4.

A Contactless Rotary Encoder



The image shows two configuration windows side-by-side. The left window is titled 'OSC0' and contains various control and clock settings. The right window is titled '3-bit LUT5/8-bit CNT2/DLY2' and contains counter and output settings.

OSC0 Configuration:

- Control pin mode: Force on
- OSC Power Mode: Force Power On
- Clock selector: OSC
- EXT CLK Pin selector: PIN 20 (IO17)
- Fast start-up: Disable
- RC OSC Frequency: 25 kHz
- 'CLK' predivider by: 8
- 'OUT0' second divider by: 64
- 'OUT1' second divider by: 1

Information Table:

RC OSC Output	Value
CLK /4	RC OSC Freq. /8 /4
CLK /12	RC OSC Freq. /8 /12
CLK /24	RC OSC Freq. /8 /24
CLK /64	RC OSC Freq. /8 /64
OUT0	RC OSC Freq. /8 /64
OUT1	RC OSC Freq. /8

3-bit LUT5/8-bit CNT2/DLY2 Configuration:

- Type: CNT/DLY
- Mode: Counter
- Counter data: 64 (Range: 1 - 255)
- Output period (typical): 499.2 ms (Formula)
- Edge select: Rising
- Output polarity: Non-inverted (OUT)
- Q mode: None
- Stop and restart: None

Connections:

- Clock: OSC0 CLK /24
- Clock source: RC OSC Freq. /8 /24
- Clock frequency: 130.208 Hz

Figure 4: Oscillator Configuration Settings

The illustration of the possible state transitions is shown in the ASM state diagram (Figure 5).

A Contactless Rotary Encoder

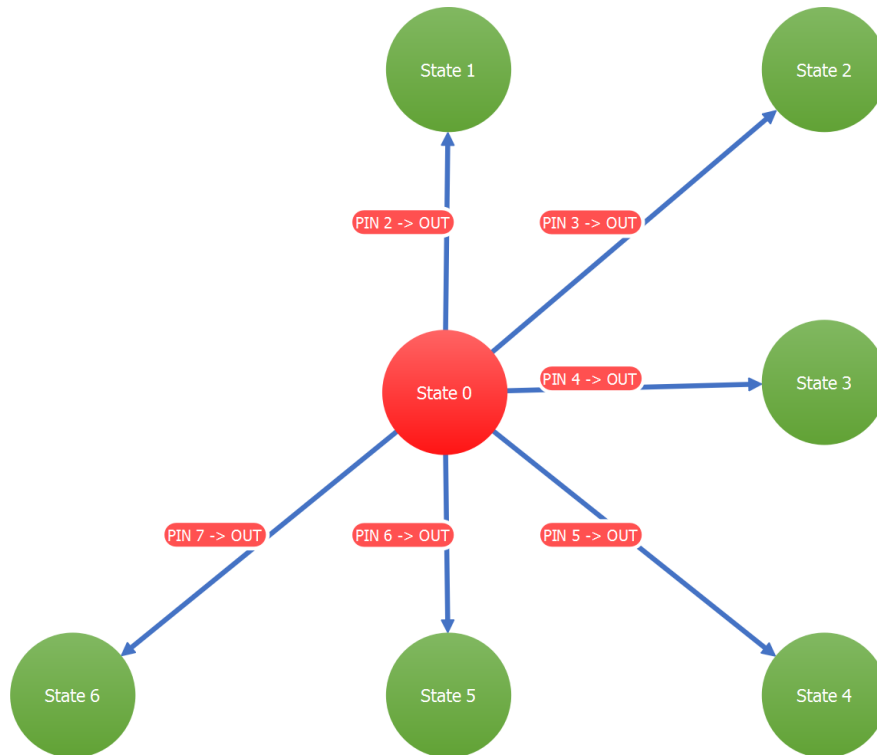


Figure 5: ASM State Diagram Showing Possible State Transitions

A slightly delayed copy of EVAL is used as an ASM reset with each cycle. This ensures that we always start from STATE0. After the ASM reset condition, EVAL signal is monitored by the ASM at each of the pads. Only the earliest rising edge will cause the state transition out of STATE0. Any subsequent rising edges from other pads will be ignored since only one state transition is possible. This is also because of the way we configured the ASM as shown in Figure 6. Each of the 6 ASM output states corresponds to only one of the sector pads.

The DFF latches hold the ASM result steady so that there is no switching of the final output during ASM reset. The desired polarity for driving our open drain NMOS output pins requires us to configure the DFF's with inverted outputs.

RAM								
State name	Connection Matrix Output RAM							
	OUT7	OUT6	OUT5	OUT4	OUT3	OUT2	OUT1	OUT0
State 0	0	0	0	0	0	0	0	1
State 1	0	0	0	0	0	0	1	0
State 2	0	0	0	0	0	1	0	0
State 3	0	0	0	0	1	0	0	0
State 4	0	0	0	1	0	0	0	0
State 5	0	0	1	0	0	0	0	0
State 6	0	1	0	0	0	0	0	0
State 7	0	0	0	0	0	0	0	0

Figure 6: Output Connection Matrix

A Contactless Rotary Encoder

6 Test Results

The photos below show a crude prototype, fully operational. It is also low power, measuring only 5 uA for the [GreenPAK](#).

The layout of pads and wiper are maximized for strongest signal. The prototype was found to be immune to strong RF interference such as large fluorescent bulbs, and 5 W 145 MHz radio. This is likely because all pads receive the interference in common mode.

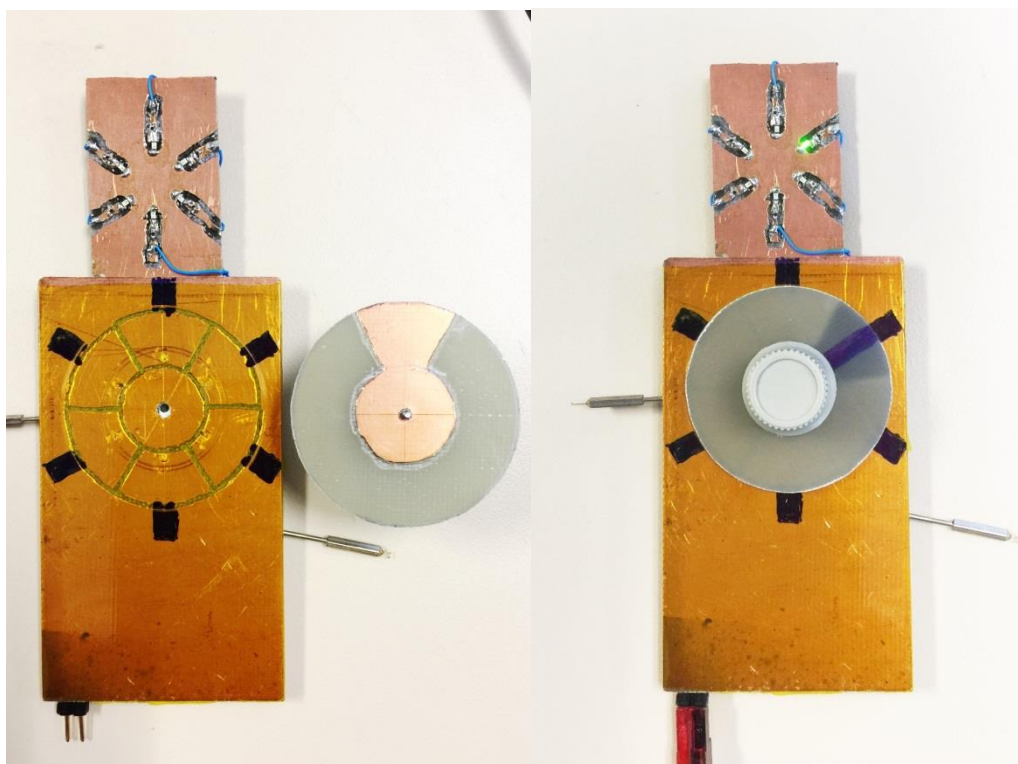


Figure 7: Crude Prototype

It is possible to lay out the pads and wiper dimensions so there is no overlap of 2 pads at the same time to the wiper in any position. This may not really be necessary since the ASM arbitration circuitry will allow only one of the states to be valid, even in the event of 2 simultaneous rising edges. That is another reason this design is robust. Good sensitivity is achieved with the board layout having interconnect traces to the pads very narrow, and equal length to each other so the total capacitance of each sector pad is matched with the others. A final product could include mechanical detents for the wiper so it “clicks” when centered to each of the positions, and also provides a nice tactile feel.

7 Conclusion

Dialog’s [GreenPAK](#) IC offers a low power, robust, and complete solution for this high reliability rotary switch. It is ideal for applications such as outdoor timers and controls that require stable, long term operation.

A Contactless Rotary Encoder

Revision History

Revision	Date	Description
1.0	06-Mar-2018	Initial version

A Contactless Rotary Encoder

Status Definitions

Status	Definition
DRAFT	The content of this document is under review and subject to formal approval, which may result in modifications or additions.
APPROVED or unmarked	The content of this document has been approved for publication.

Disclaimer

Information in this document is believed to be accurate and reliable. However, Dialog Semiconductor does not give any representations or warranties, expressed or implied, as to the accuracy or completeness of such information. Dialog Semiconductor furthermore takes no responsibility whatsoever for the content in this document if provided by any information source outside of Dialog Semiconductor.

Dialog Semiconductor reserves the right to change without notice the information published in this document, including without limitation the specification and the design of the related semiconductor products, software and applications.

Applications, software, and semiconductor products described in this document are for illustrative purposes only. Dialog Semiconductor makes no representation or warranty that such applications, software and semiconductor products will be suitable for the specified use without further testing or modification. Unless otherwise agreed in writing, such testing or modification is the sole responsibility of the customer and Dialog Semiconductor excludes all liability in this respect.

Customer notes that nothing in this document may be construed as a license for customer to use the Dialog Semiconductor products, software and applications referred to in this document. Such license must be separately sought by customer with Dialog Semiconductor.

All use of Dialog Semiconductor products, software and applications referred to in this document are subject to Dialog Semiconductor's [Standard Terms and Conditions of Sale](http://www.dialog-semiconductor.com), available on the company website (www.dialog-semiconductor.com) unless otherwise stated.

Dialog and the Dialog logo are trademarks of Dialog Semiconductor plc or its subsidiaries. All other product or service names are the property of their respective owners.

© 2018 Dialog Semiconductor. All rights reserved.

Contacting Dialog Semiconductor

United Kingdom (Headquarters)
Dialog Semiconductor (UK) LTD
Phone: +44 1793 757700

Germany
Dialog Semiconductor GmbH
Phone: +49 7021 805-0

The Netherlands
Dialog Semiconductor B.V.
Phone: +31 73 640 8822

Email:
enquiry@diasemi.com

North America
Dialog Semiconductor Inc.
Phone: +1 408 845 8500

Japan
Dialog Semiconductor K. K.
Phone: +81 3 5769 5100

Taiwan
Dialog Semiconductor Taiwan
Phone: +886 281 786 222

Web site:
www.dialog-semiconductor.com

Hong Kong
Dialog Semiconductor Hong Kong
Phone: +852 2607 4271

Korea
Dialog Semiconductor Korea
Phone: +82 2 3469 8200

China (Shenzhen)
Dialog Semiconductor China
Phone: +86 755 2981 3669

China (Shanghai)
Dialog Semiconductor China
Phone: +86 21 5424 9058