

32-Channel Internal Current Sink LED Backlighting Driver

General Description

The iW7039 is a 32-channel, internal current sink, high precision, LED backlighting driver for high dynamic range (HDR) LCD TVs, monitors and notebook displays. The device combines adaptive DC/DC feedback control with Dialog's **BroadLED™** digital adaptive switch mode technology to enable best system efficiency and thermal performance.

The iW7039 integrates the ability to use either analog or digital dimming methods in one device. With a 10-bit/11-bit global or individual channel analog dimming and 12-bit PWM digital dimming, the device improved contrast ratio in HDR displays. The current sinks can drive up to 66mA per channel and have very tightly controlled current accuracy.

A full array or protection circuits are integrated, including built-in LED open/short detection, over temperature protection and protection during both start-up and normal operation.

Key Features

- 32 channel LED driver, pin map compatible with 16 channel iW7038
 - Internal Current sink
- Support 12V or 5V Single power supply
- 65V max. LED pin rating
- 66mA x 100% duty x 32ch output current, support channel grouping.
- 12-bit PWM dimming.
- 10-bit global and independent analog dimming (I-dimming), optional 66mA/44mA/22mA full range.
- Head mode with optional off time control.
- Optional 350/650/950/1600ns PWM output slew rate.
- Optional 0.5ms to 10ms (0.5ms per step), LED current rising and falling slop control in analog dimming.
- 44Hz to 32KHz V_{SYNC} input, 44Hz to 64KHz PWM output.
- 9-bit adaptive external DC/DC feedback control
- 3 PWM-generator clock options
 - External H_{SYNC} (up to 26MHz)
 - APLL (15MHz to 26.6MHz)
 - DPLL (10MHz), support gaming monitor VRR (Variable Refresh Rate)
- 26.6MHz Max SPI with Daisy chain
- Programmable LED open/short detection threshold and protection
- Programmable over temperature protection
- Optional Key registers write protection with password
- Optional data packet CRC/CHECKSUM for noisy SPI
- Fault interrupt output (open drain, need external pull up)
- -20 to +85°C operating ambient temperature range
- 145°C max. operating junction temperature
- Package: 7mm x 7mm QFN48-EP package

Applications

- TV
- Monitor
- Notebook

32-Channel Internal Current Sink LED Backlighting Driver

Contents

General Description	0
Key Features	1
Applications	1
Tables	2
Pinout.....	2
1. Absolute Maximum Ratings	7
2. Recommended Operating Conditions.....	7
3. Package Information	10
4. Ordering Information	10

Figures

Figure 1.1: Connection Diagram	3
Figure 3.1: 48-Lead 7mm x 7mm QFN Package Outline Drawing.....	8

Tables

Table 1: Pin Description	4
Table 2: Pin Type Definition	5
Table 3: Pin Equivalent Circuits	5
Table 4: Absolute Maximum Ratings.....	9
Table 5: Recommended Operating Conditions	9

32-Channel Internal Current Sink LED Backlighting Driver

Pinout

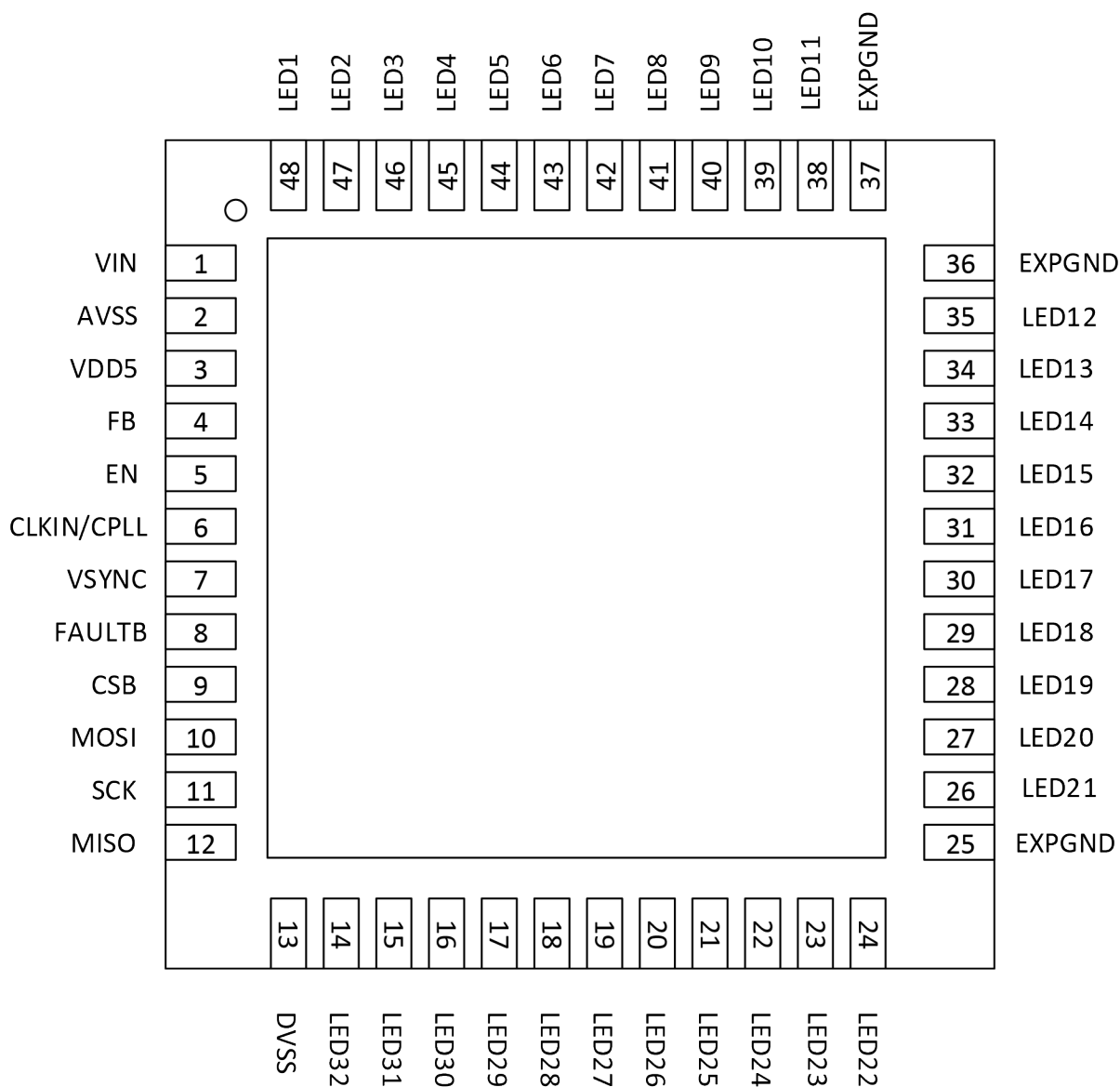


Figure 1.1: Connection Diagram

32-Channel Internal Current Sink LED Backlighting Driver

Table 1: Pin Description

Pin #	Pin Name	Type (Table 2)	Description	If not use
1	VIN	AI	Power supply. Connect 4.7 μ F capacitor to GND.	
2	AVSS	GND	GND.	
3	VDD5	AIO	LDO output, connect 4.7 μ F capacitor to GND.	
4	FB	AO	Power supply feedback pin.	Leave open.
5	EN	DI	Chip enable pin.	
6	CLKIN/CPLL	DI/AI	H _{SYNC} signal input or connect PLL RC compensation circuit.	Leave open.
7	VSYNC	DI_PD	Frame synchronize signal input with internal programmable filter, both high and low should be hold longer than 10 μ s.	
8	FAULTB	DO_OD	Fault status output, connect a 100K resister to external pull up.	Leave open.
9	CSB	DI_PU	SPI interface chip select.	
10	MOSI	DI_PD	SPI interface data input.	
11	SCK	DI_PD	SPI interface clock.	
12	MISO	DO	SPI interface data output.	Leave open.
13	DVSS	GND	GND.	
14	LED32	AI	Connect to the cathode of the LED string.	Leave open.
15	LED31	AI	Connect to the cathode of the LED string.	Leave open.
16	LED30	AI	Connect to the cathode of the LED string.	Leave open.
17	LED29	AI	Connect to the cathode of the LED string.	Leave open.
18	LED28	AI	Connect to the cathode of the LED string.	Leave open.
19	LED27	AI	Connect to the cathode of the LED string.	Leave open.
20	LED26	AI	Connect to the cathode of the LED string.	Leave open.
21	LED25	AI	Connect to the cathode of the LED string.	Leave open.
22	LED24	AI	Connect to the cathode of the LED string.	Leave open.
23	LED23	AI	Connect to the cathode of the LED string.	Leave open.
24	LED22	AI	Connect to the cathode of the LED string.	Leave open.
25	EXPGND	GND	GND.	
26	LED21	AI	Connect to the cathode of the LED string.	Leave open.
27	LED20	AI	Connect to the cathode of the LED string.	Leave open.
28	LED19	AI	Connect to the cathode of the LED string.	Leave open.
29	LED18	AI	Connect to the cathode of the LED string.	Leave open.
30	LED17	AI	Connect to the cathode of the LED string.	Leave open.
31	LED16	AI	Connect to the cathode of the LED string.	Leave open.
32	LED15	AI	Connect to the cathode of the LED string.	Leave open.
33	LED14	AI	Connect to the cathode of the LED string.	Leave open.
34	LED13	AI	Connect to the cathode of the LED string.	Leave open.
35	LED12	AI	Connect to the cathode of the LED string.	Leave open.

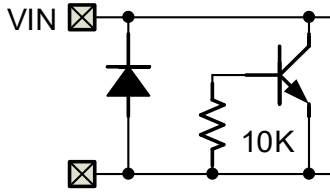
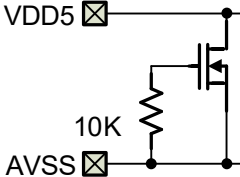
32-Channel Internal Current Sink LED Backlighting Driver

Pin #	Pin Name	Type (Table 2)	Description	If not use
36	EXPGND	GND	GND.	
37	EXPGND	GND	GND.	
38	LED11	AI	Connect to the cathode of the LED string.	Leave open.
39	LED10	AI	Connect to the cathode of the LED string.	Leave open.
40	LED9	AI	Connect to the cathode of the LED string.	Leave open.
41	LED8	AI	Connect to the cathode of the LED string.	Leave open.
42	LED7	AI	Connect to the cathode of the LED string.	Leave open.
43	LED6	AI	Connect to the cathode of the LED string.	Leave open.
44	LED5	AI	Connect to the cathode of the LED string.	Leave open.
45	LED4	AI	Connect to the cathode of the LED string.	Leave open.
46	LED3	AI	Connect to the cathode of the LED string.	Leave open.
47	LED2	AI	Connect to the cathode of the LED string.	Leave open.
48	LED1	AI	Connect to the cathode of the LED string.	Leave open.

Table 2: Pin Type Definition

Pin type	Description	Pin type	Description
DI	Digital Input	AI	Analog Input
DO	Digital Output	AO	Analog Output
DIO	Digital Input/Output	AIO	Analog Input/Output
PU	Pull up with resistor	PD	Pull down with resistor
OD	Open Drain		

Table 3: Pin Equivalent Circuits

VIN	
VDD5	

32-Channel Internal Current Sink LED Backlighting Driver

<p>FB/CPLL</p>	
<p>LEDn</p>	
<p>EN VSYNC MOSI SCK</p>	
<p>CSB</p>	
<p>MISO</p>	
<p>FaultB</p>	

32-Channel Internal Current Sink LED Backlighting Driver

1. Absolute Maximum Ratings

Table 4: Absolute Maximum Ratings

Symbol	Parameter	Min	Max	Unit
VIN	VIN supply voltage	-0.3	20	V
VDD5	5V LDO output or input (VIN short to VDD5)	-0.3	7	V
LEDn	LEDn pin voltage	-0.3	65	V
CSB, SCK, MISO, MOSI, VSYNC, CLKIN/CPLL, EN	Logic I/O	-0.3	7	V
ESD level	JEDEC JS-001-2017- HBM	-2000	+2000	V

Note 1 Stresses beyond those listed under “Absolute Maximum Ratings” may cause permanent damage to the device. These are stress ratings only, so functional operation of the device at these or any other conditions beyond those indicated in the operational sections of the specification are not implied. Exposure to absolute maximum rating conditions for extended periods may affect device reliability.

2. Recommended Operating Conditions

Table 5: Recommended Operating Conditions

Symbol	Parameter	Min	Typ	Max	Unit
VIN	VIN supply voltage	9	12	16	V
VDD5	VDD5 as power supply, VIN pin short to VDD5 pin	4.5		5.5	V
LEDn	LEDn pin operating voltage rating or maximum LED string voltage			65	V
Operating Temperature		-20		85	°C

32-Channel Internal Current Sink LED Backlighting Driver

3. Package Information

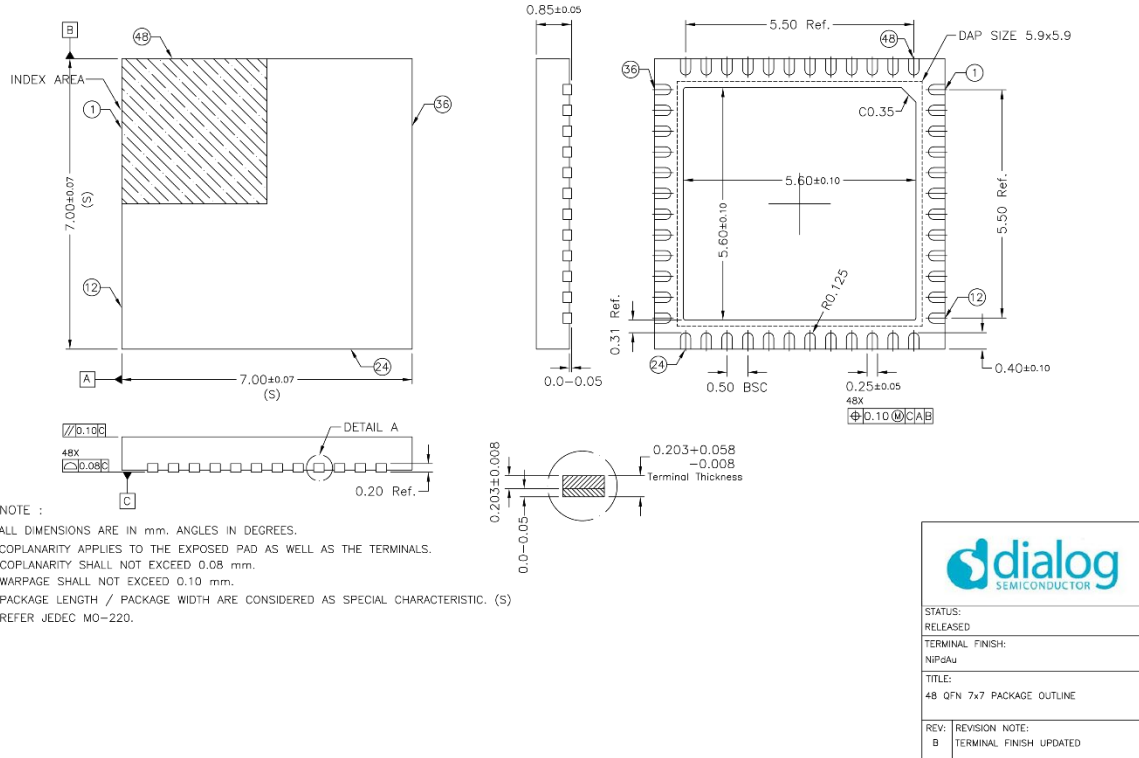


Figure 3.1: 48-Lead 7mm x 7mm QFN Package Outline Drawing

4. Ordering Information

Part Number	Package	Description
iW7039-00-QFN4	QFN-7mm x 7mm 48pin with EP	Tape & Reel ¹

Note 1 Tape & Reel packing quantity is 4,000/reel. Minimum packing quantity is 4,000.

32-Channel Internal Current Sink LED Backlighting Driver

Disclaimer

Unless otherwise agreed in writing, the Dialog Semiconductor products (and any associated software) referred to in this document are not designed, authorized or warranted to be suitable for use in life support, life-critical or safety-critical systems or equipment, nor in applications where failure or malfunction of a Dialog Semiconductor product (or associated software) can reasonably be expected to result in personal injury, death or severe property or environmental damage. Dialog Semiconductor and its suppliers accept no liability for inclusion and/or use of Dialog Semiconductor products (and any associated software) in such equipment or applications and therefore such inclusion and/or use is at the customer's own risk.

Information in this document is believed to be accurate and reliable. However, Dialog Semiconductor does not give any representations or warranties, express or implied, as to the accuracy or completeness of such information. Dialog Semiconductor furthermore takes no responsibility whatsoever for the content in this document if provided by any information source outside of Dialog Semiconductor.

Dialog Semiconductor reserves the right to change without notice the information published in this document, including, without limitation, the specification and the design of the related semiconductor products, software and applications. Notwithstanding the foregoing, for any automotive grade version of the device, Dialog Semiconductor reserves the right to change the information published in this document, including, without limitation, the specification and the design of the related semiconductor products, software and applications, in accordance with its standard automotive change notification process.

Applications, software, and semiconductor products described in this document are for illustrative purposes only. Dialog Semiconductor makes no representation or warranty that such applications, software and semiconductor products will be suitable for the specified use without further testing or modification. Unless otherwise agreed in writing, such testing or modification is the sole responsibility of the customer and Dialog Semiconductor excludes all liability in this respect.

Nothing in this document may be construed as a license for customer to use the Dialog Semiconductor products, software and applications referred to in this document. Such license must be separately sought by customer with Dialog Semiconductor.

All use of Dialog Semiconductor products, software and applications referred to in this document is subject to Dialog Semiconductor's [Standard Terms and Conditions of Sale](http://www.dialog-semiconductor.com), available on the company website (www.dialog-semiconductor.com) unless otherwise stated.

Dialog, Dialog Semiconductor and the Dialog logo are trademarks of Dialog Semiconductor Plc or its subsidiaries. All other product or service names and marks are the property of their respective owners.

© 2020 Dialog Semiconductor. All rights reserved.

RoHS Compliance

Dialog Semiconductor's suppliers certify that its products are in compliance with the requirements of Directive 2011/65/EU of the European Parliament on the restriction of the use of certain hazardous substances in electrical and electronic equipment. RoHS certificates from our suppliers are available on request.

Contacting Dialog Semiconductor

United Kingdom (Headquarters)

Dialog Semiconductor (UK) LTD
Phone: +44 1793 757700

Germany

Dialog Semiconductor GmbH
Phone: +49 7021 805-0

The Netherlands

Dialog Semiconductor B.V.
Phone: +31 73 640 8822

Email:

enquiry@diasemi.com

North America

Dialog Semiconductor Inc.
Phone: +1 408 845 8500

Japan

Dialog Semiconductor K. K.
Phone: +81 3 5769 5100

Taiwan

Dialog Semiconductor Taiwan
Phone: +886 281 786 222

Web site:

www.dialog-semiconductor.com

Hong Kong

Dialog Semiconductor Hong Kong
Phone: +852 2607 4271

Korea

Dialog Semiconductor Korea
Phone: +82 2 3469 8200

China (Shenzhen)

Dialog Semiconductor China
Phone: +86 755 2981 3669

China (Shanghai)

Dialog Semiconductor China
Phone: +86 21 5424 9058