

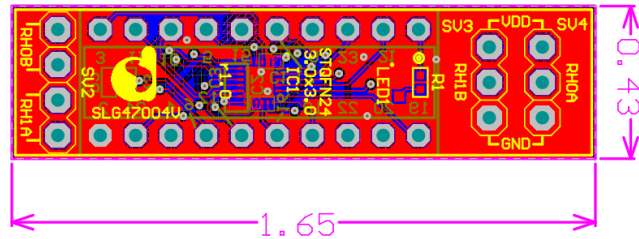
GreenPAK DIP Adapter

Description:

The GreenPAK DIP Adapter is a small PCB that allows you to adapt STQFN packages into a DIP footprint. This board can speed up your design prototyping and testing. This small board, 0.43x1.65 inch, uses 20 pins DIP footprint with 0.3 inch width. You can also use this adapter for prototyping by making MSTQFN package compatible with solder free breadboards.

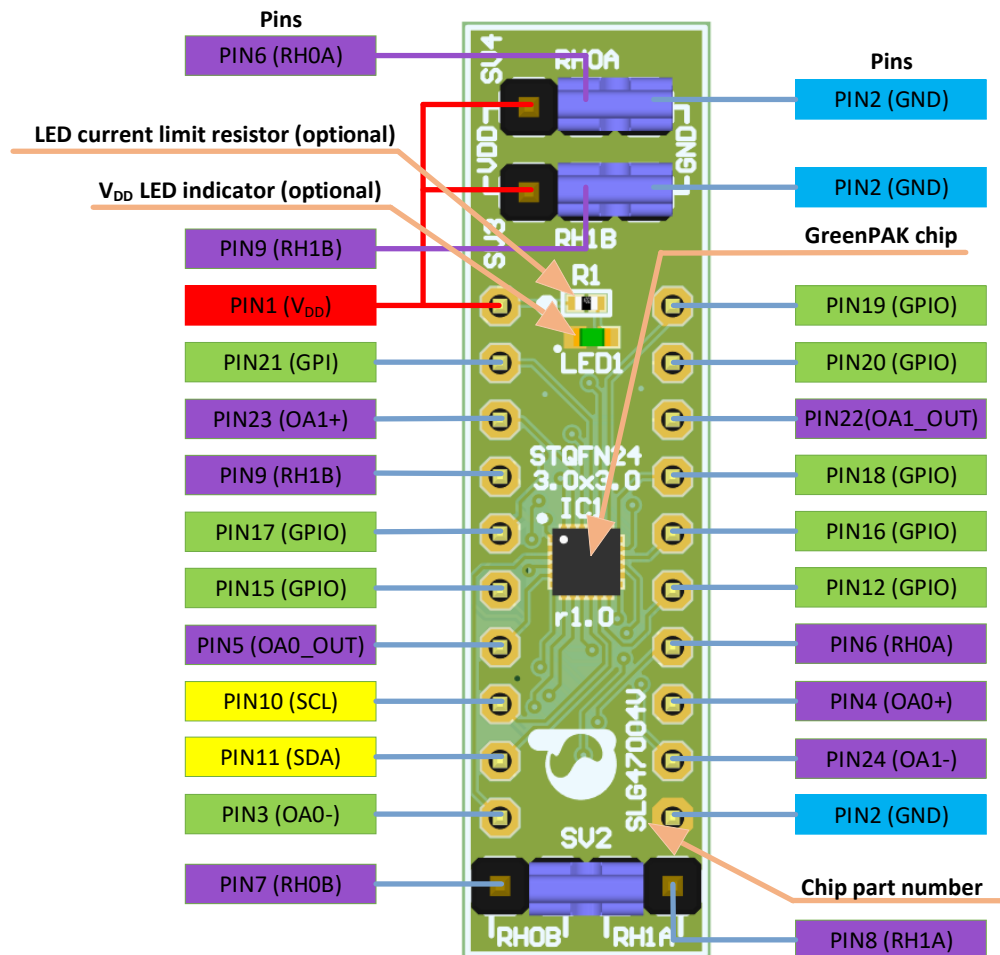
Features:

- Low cost
- Simplifies prototyping of SMT IC's
- Optional V_{DD} LED indicator
- Decoupling capacitor included
- Optional I²C pull-up resistors

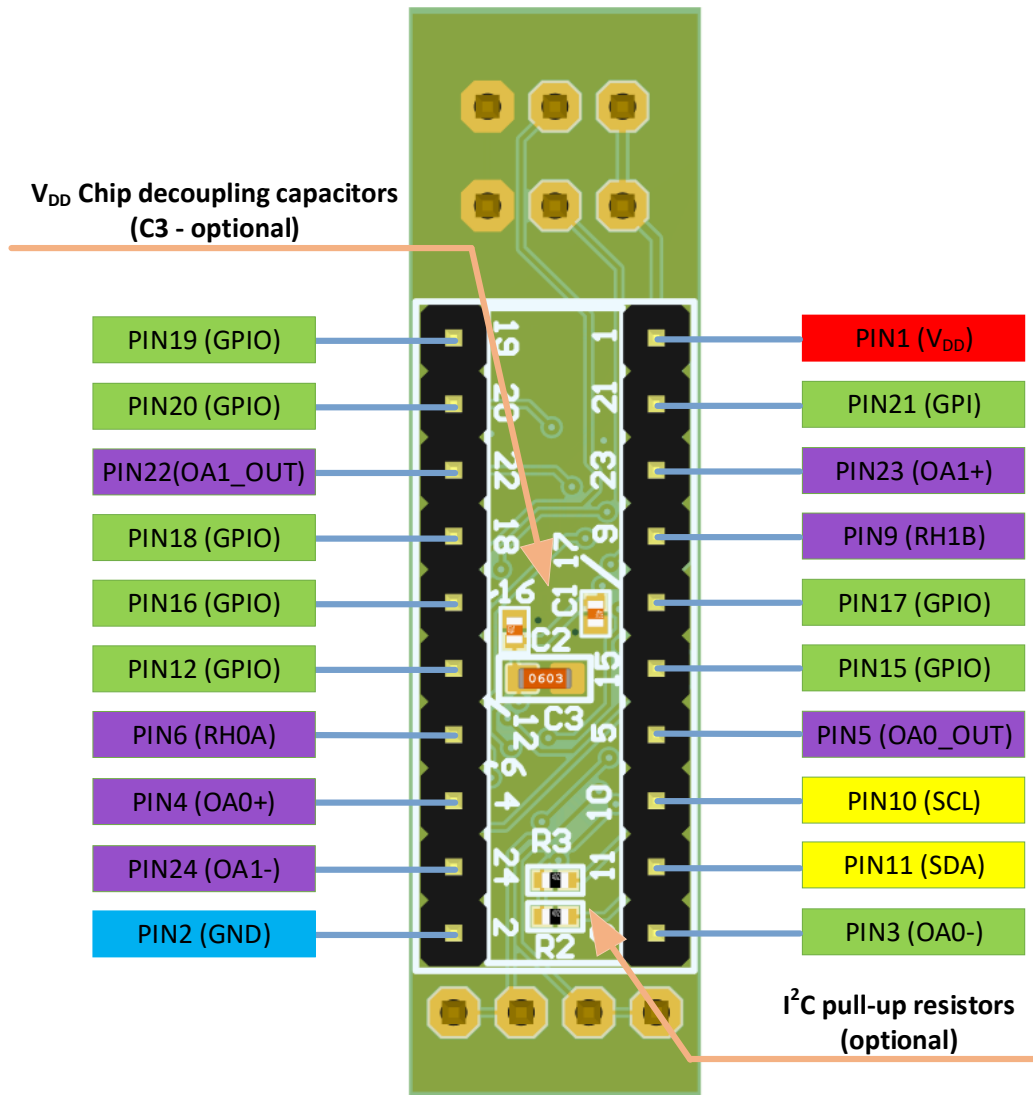


• - all sizes in inches

Top view:



Bottom view:



Board schematic:

